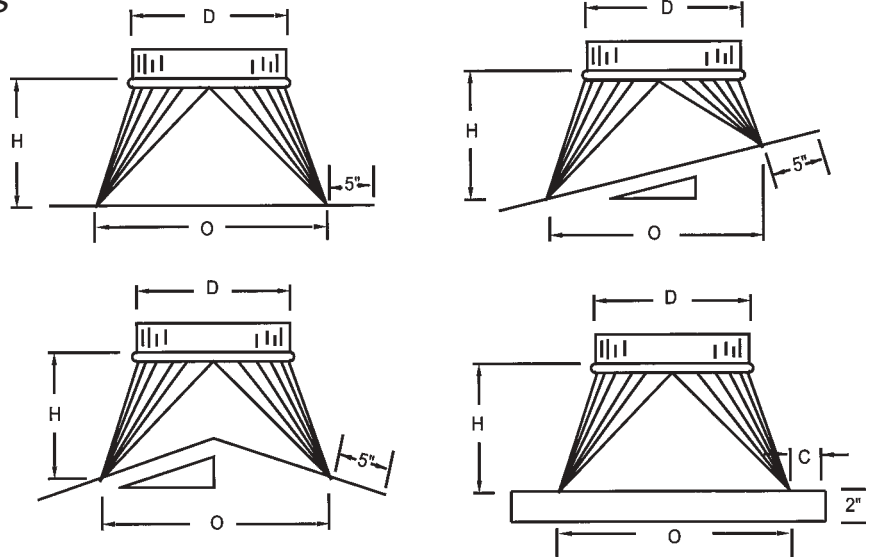




**Model B  
Roof Bases**

- Facilitates the easy installation of Turbo and Stationary Ventilators on any style roof or curb.
- Taper-cone design permits the easy movement of air through the ventilator orifice.
- Adequately supports the weight of the ventilator.
- Heavy gauge construction with crimped collars.
- Manufactured from galvanized steel conforming to specification QQ-1-716 or aluminum alloy sheets meeting QQA359.



**ROMLA VENTILATOR CO.**  
 9668 Heinrich Hertz Drive • Unit D  
 San Diego, CA 92154  
 Ph: (619) 946-1224 Fax: (619) 946-1227

BASE TYPE AND ROOF PITCH MUST BE SPECIFIED WHEN ORDERING.  
 EX. RIDGE 4" IN 12" PITCH

Optional Extra

Special Construction

Special Finish

DIMENSIONS - GAUGES											
BASES											
MODEL	O SQ.	H	C	GALV. GAUGE	ALUM. GAUGE	MODEL	O SQ.	H	C	GALV. GAUGE	ALUM. GAUGE
B-6	10	6	2	26	032	B-24	30	11	2	24	040
B-8	12	6	2	26	032	B-30	36	13	2	22	040
B-10	14	7	2	26	032	B-36	42	15	2	22	040
B-12	16	7	2	26	032	B-42	48	15	2	20	050
B-14	18	8	2	26	032	B-48	54	15	2	20	050
B-16	20	8	2	26	032	B-54	60	18	2	18	063
B-18	22	9	2	24	032	B-60	66	19	2	18	063
B-20	24	9	2	24	032	B-72	78	21	2	18	063

QTY	MODEL	P	TYPE	MATERIAL		MARKING
				GALV	ALUM	

<b>PROJECT:</b> <b>LOCATION:</b> <b>SUBMITTED BY:</b> <b>DATE:</b>	<b>CONTRACTOR:</b> <b>ENGINEER:</b> <b>APPROVED BY:</b> <b>DATE:</b>
---	---