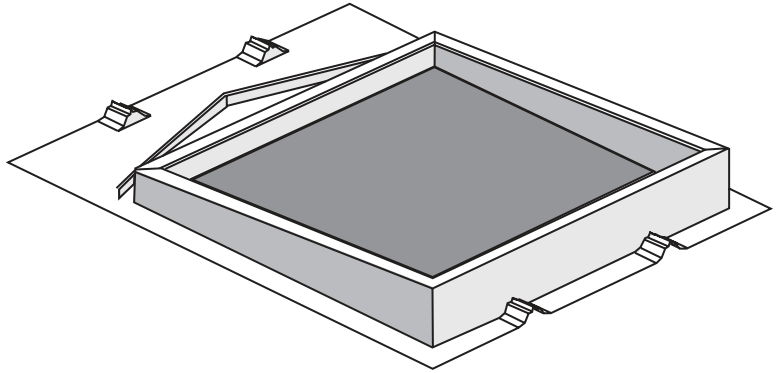




Type RMB1
Metal Building Roof Curb

Specifications:

- 18 Gauge Aluminized Steel
- 6" Curb Height at Upslope
- 1-1/2" Wide Top Flanges
- All Welded Construction
- Upslope Flange with "Over" Contours and Water Diverter
- Downslope Flange with "Over" Contours
- 1-1/2" Thick, 3 lb. Insulation



Options:

- 16 Ga. Aluminized Steel
- 14 Ga. Aluminized Steel
- .080 Aluminum

Air Dry Enamel Finish

- White
- Custom Color

Special Height

- Damper Shelf/Duct Supports
- Inside or Outside Insulation Liner
- Special Rib Placement

Wide Flanges

- Upslope
- Side
- Downslope

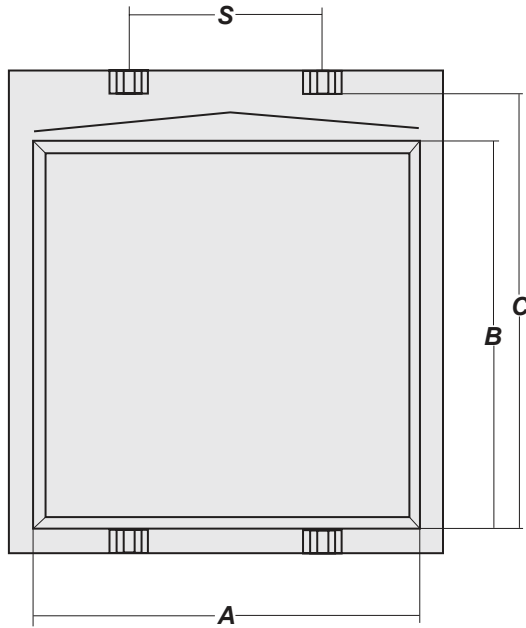
Top Cover

- Top Flange Broken Out
- Cricket in Lieu of Diverter
- Spliced Curb (2 Pieces)
- Sub Framing

2-1/2" Wide Mastic

Roof Panel Mfg:

Panel Model:



MARK	QTY	MODEL	A	B	S	PITCH	GA

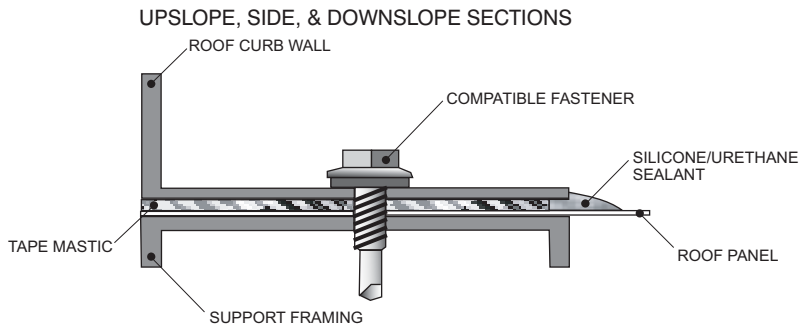
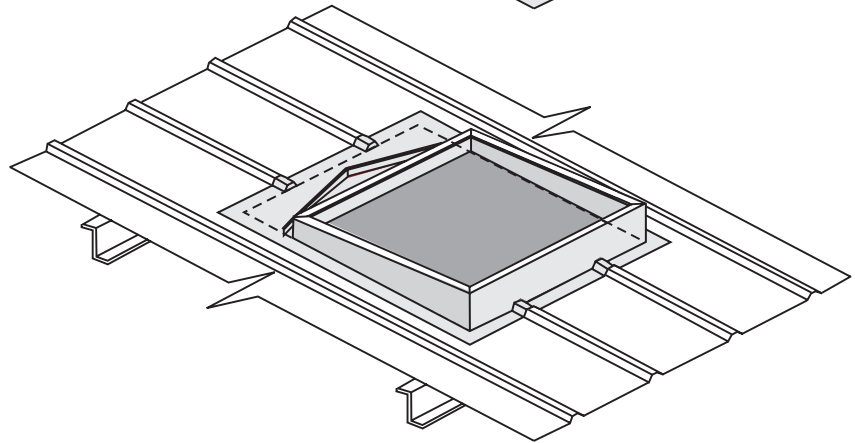
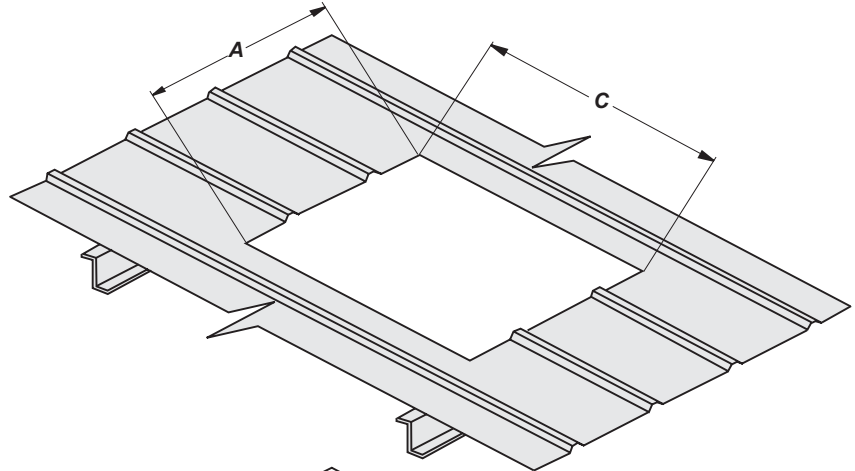
<p>PROJECT: LOCATION: SUBMITTED BY: DATE:</p>	<p>CONTRACTOR: ENGINEER: APPROVED BY: DATE:</p>
---	---

ROMLA VENTILATOR COMPANY, INC.

9668-D Heinrich Hertz Drive, San Diego, California 92154 Ph (619) 946-1224 Fax (619) 946-1227

Model RMB1 & RMB2 Installation Details

1. Mark centerline of roof opening on a fully sheeted roof.
2. Lay out roof opening to match the curb "A" & "C" dimensions using centerline of major rib as a guide.
3. Cut roof opening using normal metal building procedures.
4. Install structural support framing to support curb and equipment loads (keep inside dimension clear). At least two parallel curb walls should be supported. Keep cantilever sections under 12".
5. Apply sealant tape or mastic between curb and roof panel. Apply to roof panel at curb side, upslope and downslope flange locations. Use only building manufacturer approved accessories.
6. Position curb into place over opening of roof panel.
7. Using fasteners to suit roof system, fasten curb to support structure through curb flange and roof panel. Fasteners to be located approximately 4" on center with a minimum of four fasteners per side.
8. Check installation to verify secure attachment and weather sealing. Caulk perimeter edge of curb flanges at roof panel.



ROMLA VENTILATOR COMPANY, INC.

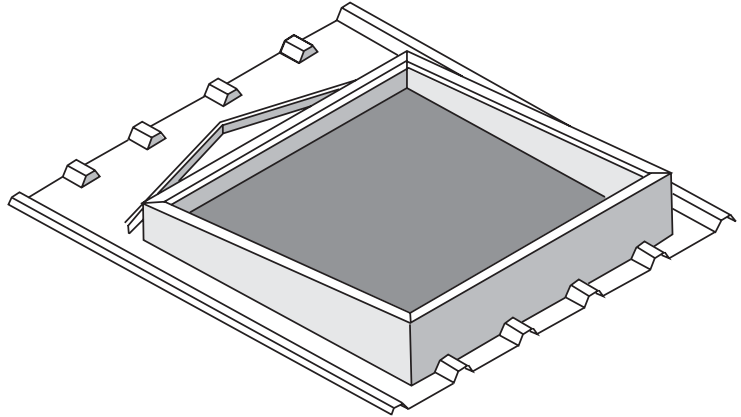
9668-D Heinrich Hertz Drive, San Diego, California 92154 Ph (619) 946-1224 Fax (619) 946-1227



Type RMB1-LO
Metal Building Roof Curb

Specifications:

- 18 Gauge Aluminized Steel
- 6" Curb Height at Upslope
- 1-1/2" Wide Top Flanges
- All Welded Construction
- Upslope Flange with "Over" Contours and Water Diverter
- Downslope Flange with "Over" Contours
- Side Flanges Lap Over One Rib Beyond Each Sidewall
- 1-1/2" Thick, 3 lb. Insulation



Options:

- ___ 16 Ga. Aluminized Steel
- ___ 14 Ga. Aluminized Steel
- ___ .080 Aluminum

Air Dry Enamel Finish

- ___ White
- ___ Custom Color

- ___ Special Height
- ___ Damper Shelf/Duct Supports
- ___ Insulation Liner
- ___ Special Rib Placement

Wide Flanges

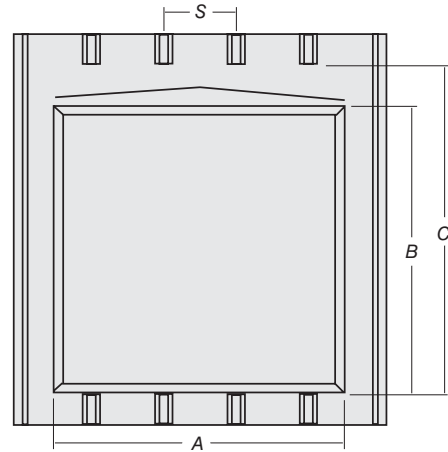
- ___ Upslope
- ___ Side
- ___ Downslope

- ___ Top Cover
- ___ Top Flange Broken Out
- ___ Cricket in Lieu of Diverter
- ___ Spliced Curb (2 Pieces)
- ___ Sub Framing

- ___ 2-1/2" Wide Mastic

Roof Panel Mfg: _____

Panel Model: _____

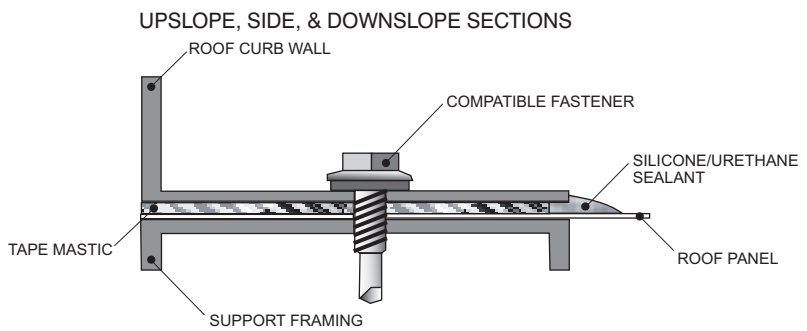
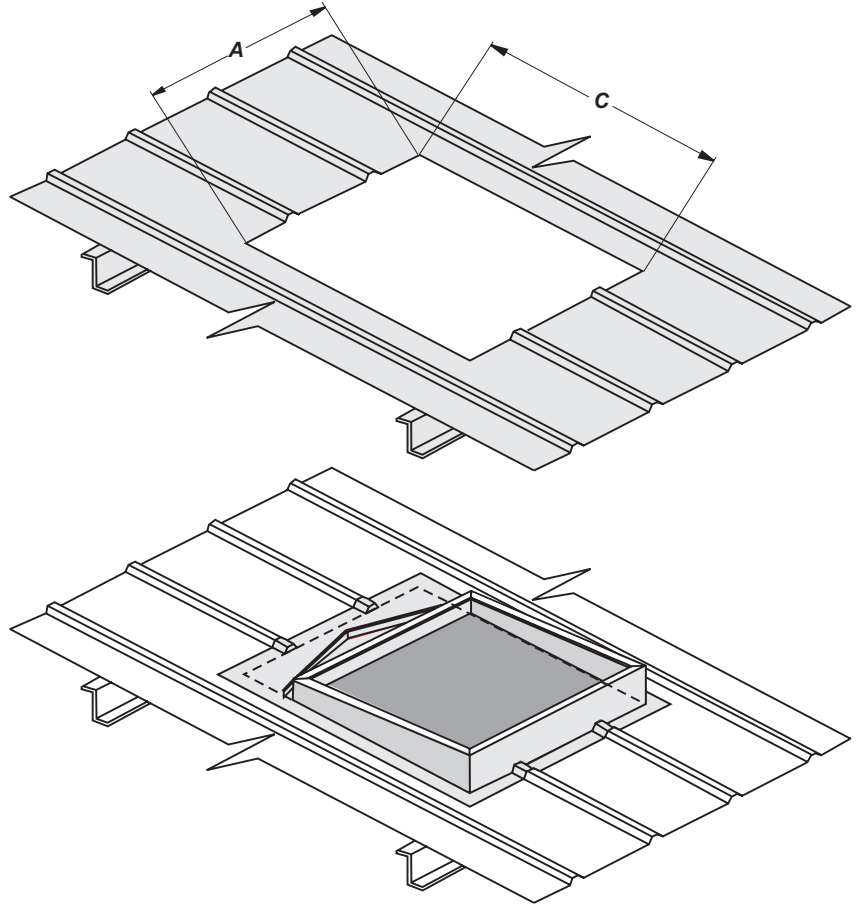


Curb Schedule

MARK	QTY	MODEL	A	B	S	PITCH	GA

<p>PROJECT: LOCATION: SUBMITTED BY: DATE:</p>	<p>CONTRACTOR: ENGINEER: APPROVED BY: DATE:</p>
--	--

Model RMB1 & RMB2-LO Installation Details



ROMLA VENTILATOR COMPANY, INC.

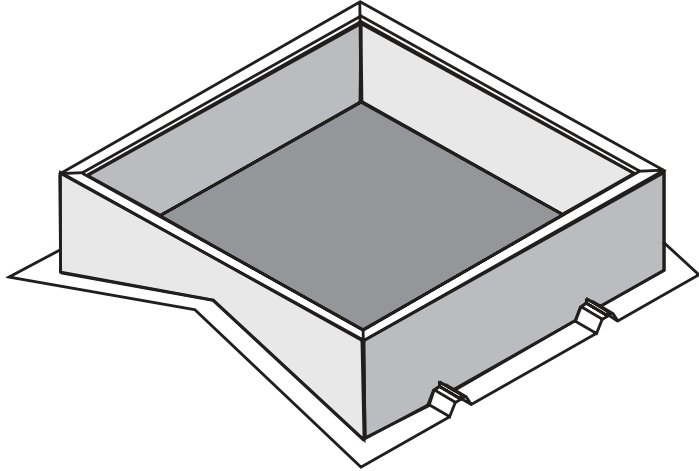
9668-D Heinrich Hertz Drive, San Diego, California 92154 Ph (619) 946-1224 Fax (619) 946-1227



**Type RMB1-RM
Metal Building Roof Curb**

Specifications:

- 18 Gauge Aluminized Steel
- 6" Minimum Curb Height at Ridge
- 1-1/2" Wide Top Flanges
- All Welded Construction
- "Over" Contours on Downslope Flanges
- 1-1/2" Thick, 3 lb. Insulation



Options:

- 16 Ga. Aluminized Steel
- 14 Ga. Aluminized Steel
- .080 Aluminum

Air Dry Enamel Finish

- White
- Custom Color

Special Height

- Damper Shelf/Duct Supports
- Inside or Outside Insulation Liner
- Special Rib Placement

Wide Flanges

- Upslope
- Side
- Downslope

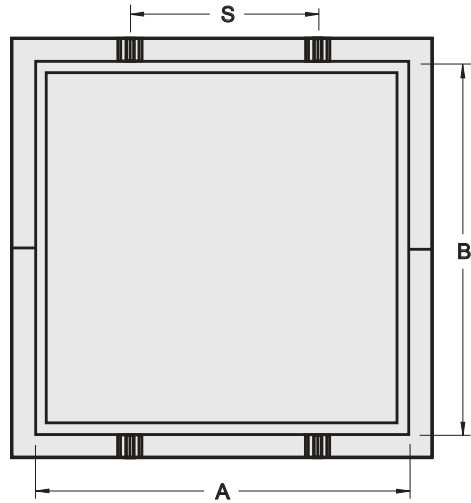
Top Cover

- Top Flange Broken Out
- Cricket in Lieu of Diverter
- Spliced Curb (2 Pieces)
- Sub Framing

2-1/2" Wide Mastic

Roof Panel Mfg:

Panel Model:



MARK	QTY	MODEL	A	B	S	PITCH	GA

<p>PROJECT: LOCATION: SUBMITTED BY: DATE:</p>	<p>CONTRACTOR: ENGINEER: APPROVED BY: DATE:</p>
--	--

ROMLA VENTILATOR COMPANY, INC.

9668-D Heinrich Hertz Drive, San Diego, California 92154 Ph (619) 946-1224 Fax (619) 946-1227

Model RMB1-RM & RMB2-RM Installation Details

1. Mark centerline of roof opening on a fully sheeted roof.

2. Lay out roof opening to match the curb "A" & "B" dimensions using centerline of major rib as a guide.

3. Cut roof opening using normal metal building procedures.

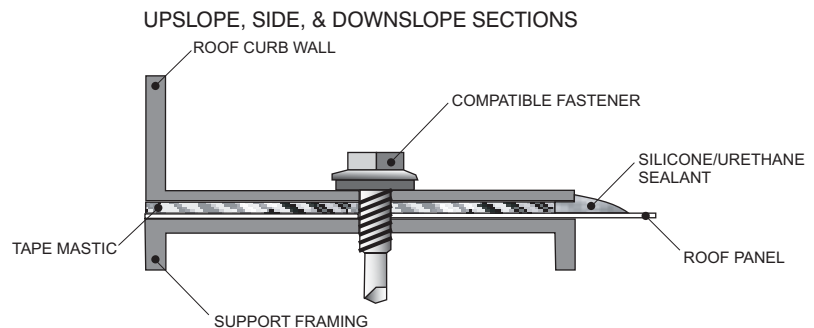
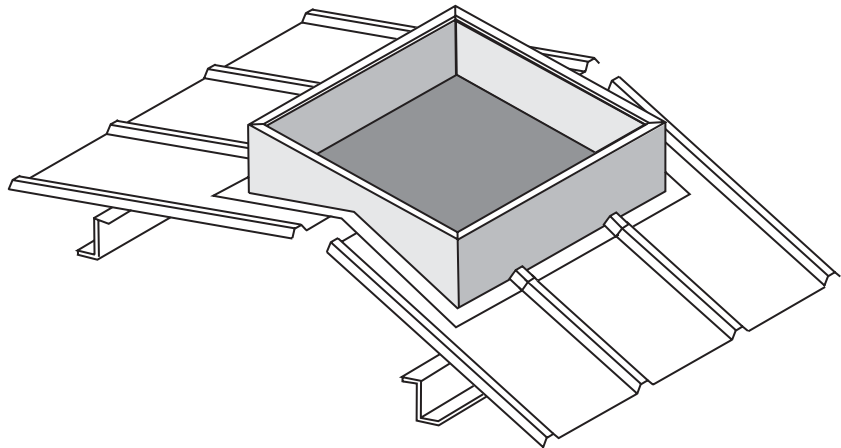
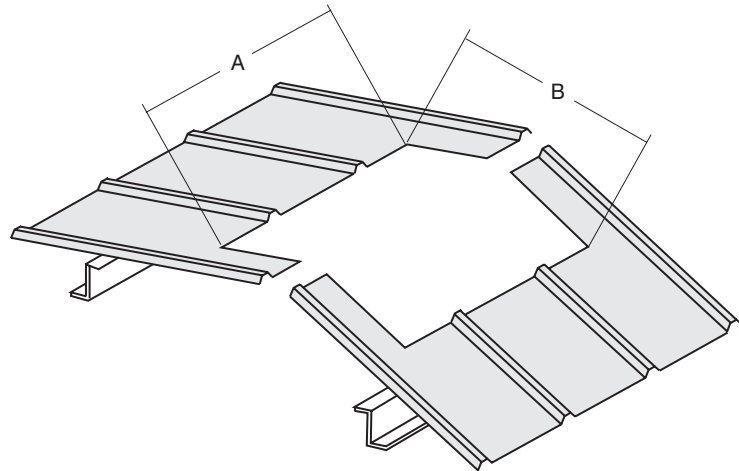
4. Install structural support framing to support curb and equipment loads (keep inside dimension clear). At least two parallel curb walls should be supported. Keep cantilever sections under 12".

5. Apply sealant tape or mastic between curb and roof panel. Apply to roof panel at curb side and downslope flange locations. Use only building manufacturer approved accessories.

6. Position curb into place over opening of roof panel.

7. Using fasteners to suit roof system, fasten curb to support structure through curb flange and roof panel. Fasteners to be located approximately 4" on center with a minimum of four fasteners per side.

8. Check installation to verify secure attachment and weather sealing. Caulk perimeter edge of curb flanges at roof panel.



ROMLA VENTILATOR COMPANY, INC.

9668-D Heinrich Hertz Drive, San Diego, California 92154 Ph (619) 946-1224 Fax (619) 946-1227



**Type RMB1-RM-C
Metal Building Roof Curb**

Specifications:

- 18 Gauge Aluminized Steel
- 6" Minimum Curb Height at Ridge
- 1-1/2" Wide Top Flanges
- All Welded Construction
- "Over" Contours on Downslope Flanges
- 1-1/2" Thick, 3lb Insulation

Options:

- 16 Ga. Aluminized Steel
- 14 Ga. Aluminized Steel
- .080 Aluminum

Air Dry Enamel Finish

- White
- Custom Color

Special Height

- Damper Shelf/Duct Supports
- Inside Insulation Liner
- Special Rib Placement

Wide Flanges

- Upslope
- Side
- Downslope

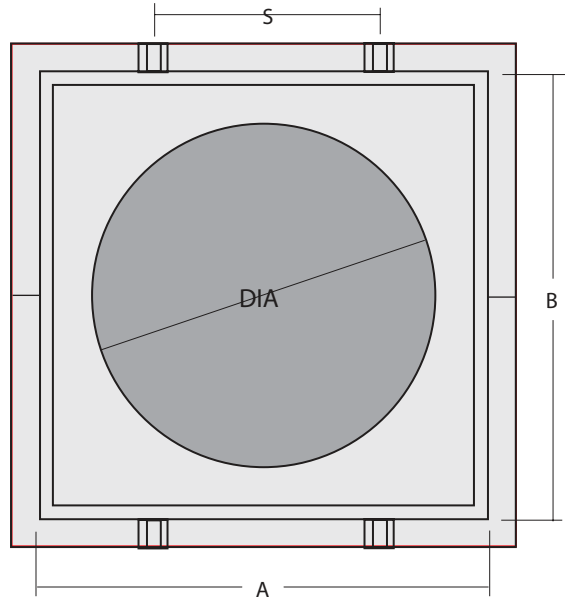
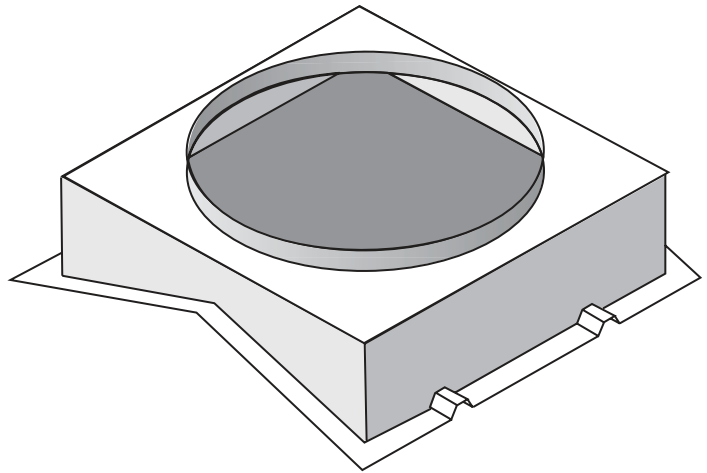
Top Cover

- Top Flange Broken Out
- Cricket in Lieu of Diverter
- Spliced Curb (2 Pieces)
- Sub Framing

2-1/2" Wide Mastic

Roof Panel Mfg:

Panel Model:



Curb Schedule

MARK	QTY	MODEL	A	B	S	PITCH	GA

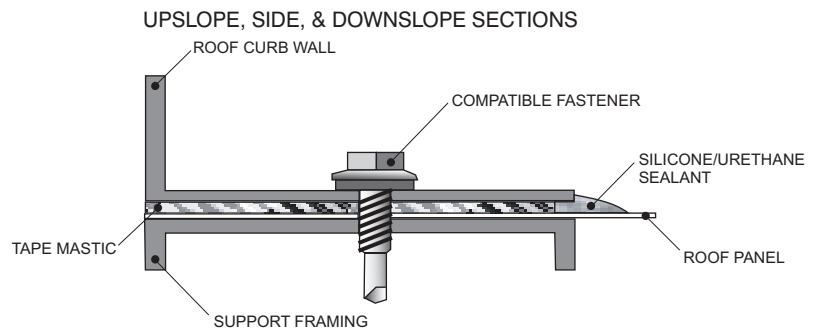
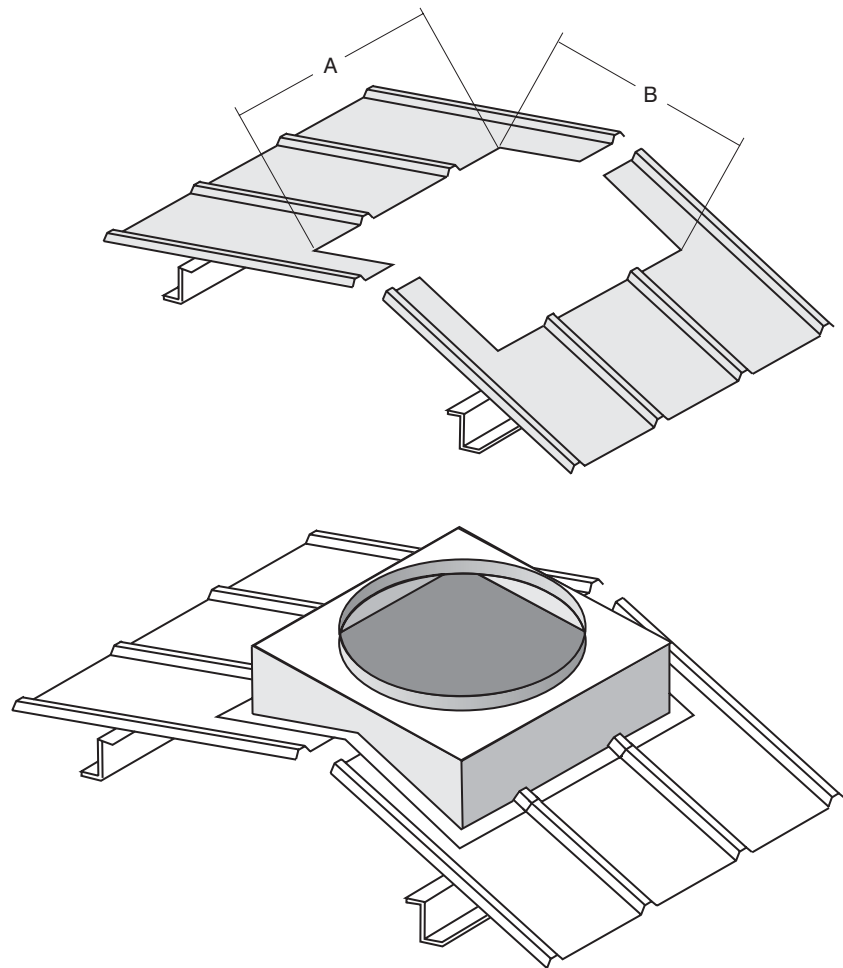
PROJECT:
LOCATION:
SUBMITTED BY:
DATE:

CONTRACTOR:
ENGINEER:
APPROVED BY:
DATE:

ROMLA VENTILATOR COMPANY, INC.

9668-D Heinrich Hertz Drive, San Diego, California 92154 Ph (619) 946-1224 Fax (619) 946-1227

Model RMB1-RM-C & RMB2-RM-C Installation Details



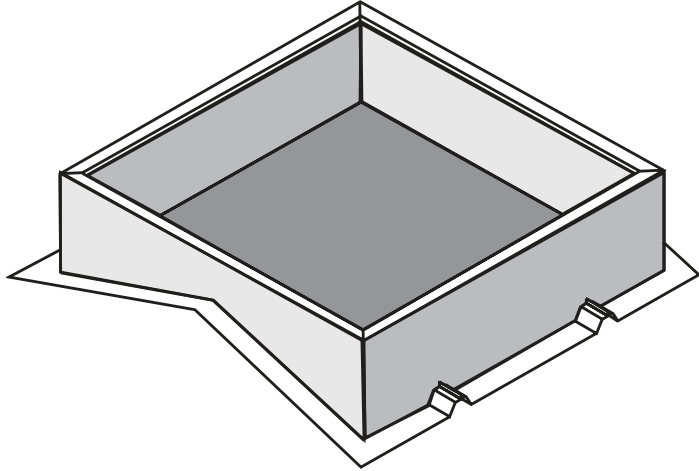
ROMLA VENTILATOR COMPANY, INC.
9668-D Heinrich Hertz Drive, San Diego, California 92154 Ph (619) 946-1224 Fax (619) 946-1227



**Type RMB1-RM
Metal Building Roof Curb**

Specifications:

- 18 Gauge Aluminized Steel
- 6" Minimum Curb Height at Ridge
- 1-1/2" Wide Top Flanges
- All Welded Construction
- "Over" Contours on Downslope Flanges
- 1-1/2" Thick, 3 lb. Insulation



Options:

- 16 Ga. Aluminized Steel
- 14 Ga. Aluminized Steel
- .080 Aluminum

Air Dry Enamel Finish

- White
- Custom Color

Special Height

- Damper Shelf/Duct Supports
- Inside or Outside Insulation Liner
- Special Rib Placement

Wide Flanges

- Upslope
- Side
- Downslope

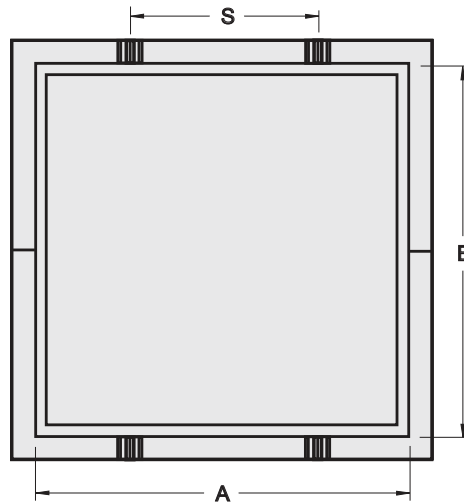
Top Cover

- Top Flange Broken Out
- Cricket in Lieu of Diverter
- Spliced Curb (2 Pieces)
- Sub Framing

2-1/2" Wide Mastic

Roof Panel Mfg:

Panel Model:

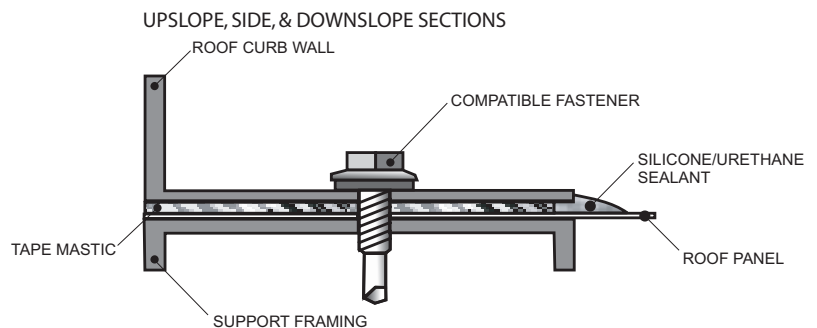
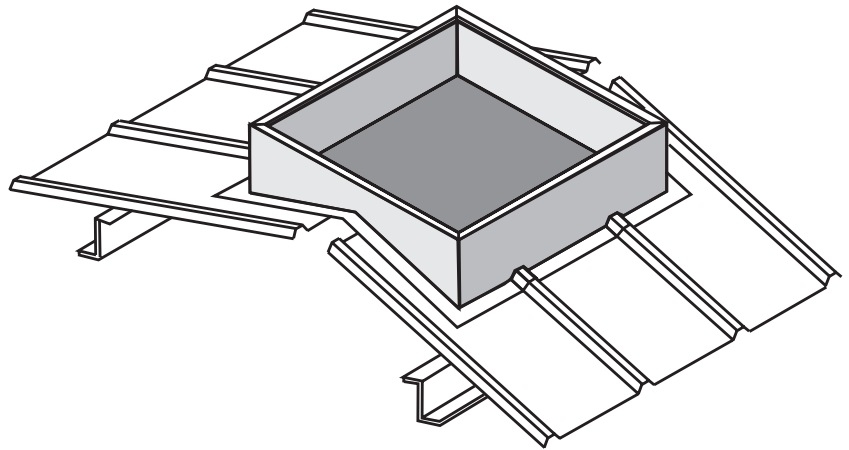
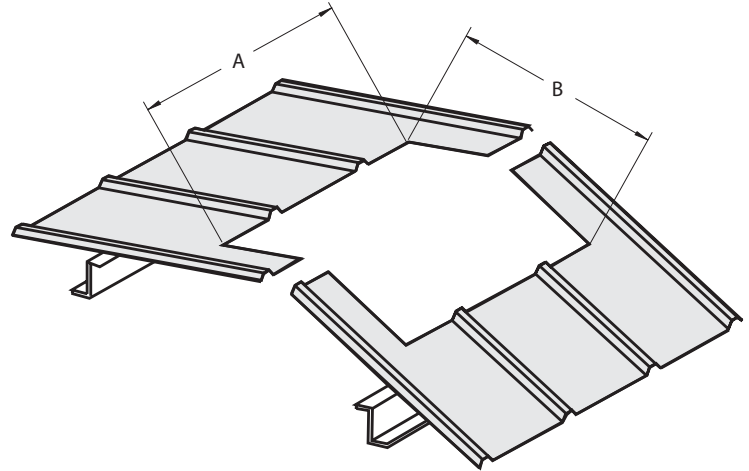


MARK	QTY	MODEL	A	B	S	PITCH	GA

<p>PROJECT: LOCATION: SUBMITTED BY: DATE:</p>	<p>CONTRACTOR: ENGINEER: APPROVED BY: DATE:</p>
--	--

Model RMB1-RM & RMB2-RM Installation Details

1. Mark centerline of roof opening on a fully sheeted roof.
2. Lay out roof opening to match the curb "A" & "B" dimensions using centerline of major rib as a guide.
3. Cut roof opening using normal metal building procedures.
4. Install structural support framing to support curb and equipment loads (keep inside dimension clear). At least two parallel curb walls should be supported. Keep cantilever sections under 12".
5. Apply sealant tape or mastic between curb and roof panel. Apply to roof panel at curb side and downslope flange locations. Use only building manufacturer approved accessories.
6. Position curb into place over opening of roof panel.
7. Using fasteners to suit roof system, fasten curb to support structure through curb flange and roof panel. Fasteners to be located approximately 4" on center with a minimum of four fasteners per side.
8. Check installation to verify secure attachment and weather sealing. Caulk perimeter edge of curb flanges at roof panel.



ROMLA VENTILATOR COMPANY, INC.

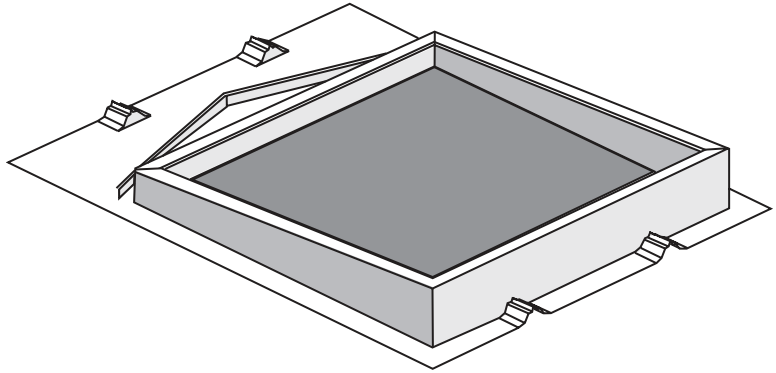
9668-D Heinrich Hertz Drive, San Diego, California 92154 Ph (619) 946-1224 Fax (619) 946-1227



Type RMB1
Metal Building Roof Curb

Specifications:

- 18 Gauge Aluminized Steel
- 6" Curb Height at Upslope
- 1-1/2" Wide Top Flanges
- All Welded Construction
- Upslope Flange with "Over" Contours and Water Diverter
- Downslope Flange with "Over" Contours
- 1-1/2" Thick, 3 lb. Insulation



Options:

- ___ 16 Ga. Aluminized Steel
- ___ 14 Ga. Aluminized Steel
- ___ .080 Aluminum

Air Dry Enamel Finish

- ___ White
- ___ Custom Color

___ Special Height

___ Damper Shelf/Duct Supports

___ Inside or Outside Insulation Liner

___ Special Rib Placement

Wide Flanges

- ___ Upslope
- ___ Side
- ___ Downslope

___ Top Cover

___ Top Flange Broken Out

___ Cricket in Lieu of Diverter

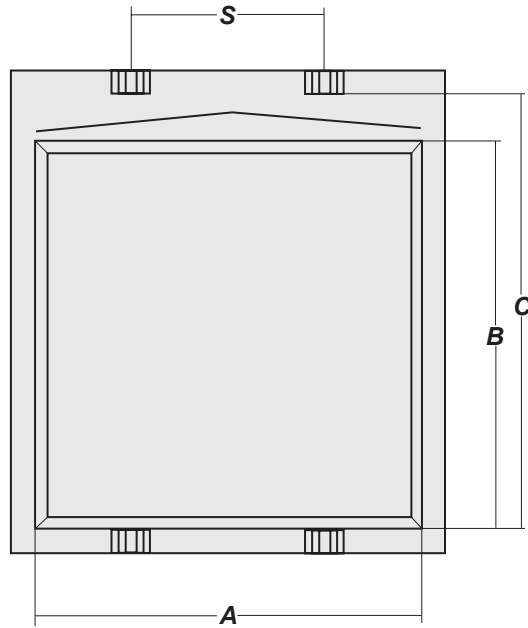
___ Spliced Curb (2 Pieces)

___ Sub Framing

___ 2-1/2" Wide Mastic

Roof Panel Mfg:

Panel Model:



MARK	QTY	MODEL	A	B	S	PITCH	GA

<p>PROJECT:</p> <p>LOCATION:</p> <p>SUBMITTED BY:</p> <p>DATE:</p>	<p>CONTRACTOR:</p> <p>ENGINEER:</p> <p>APPROVED BY:</p> <p>DATE:</p>
--	--

ROMLA VENTILATOR COMPANY, INC.

9668-D Heinrich Hertz Drive, San Diego, California 92154 Ph (619) 946-1224 Fax (619) 946-1227

Model RMB1 & RMB2 Installation Details

1. Mark centerline of roof opening on a fully sheeted roof.

2. Lay out roof opening to match the curb "A" & "C" dimensions using centerline of major rib as a guide.

3. Cut roof opening using normal metal building procedures.

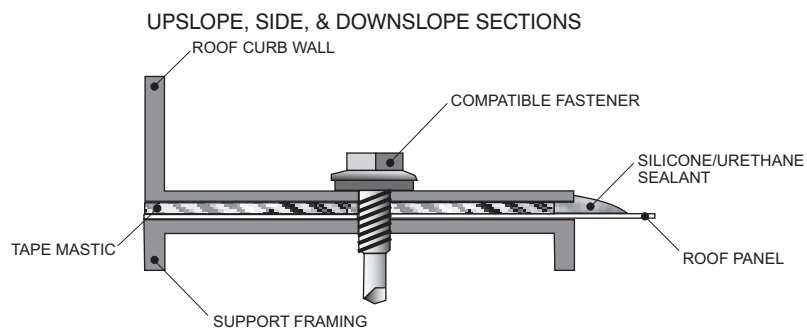
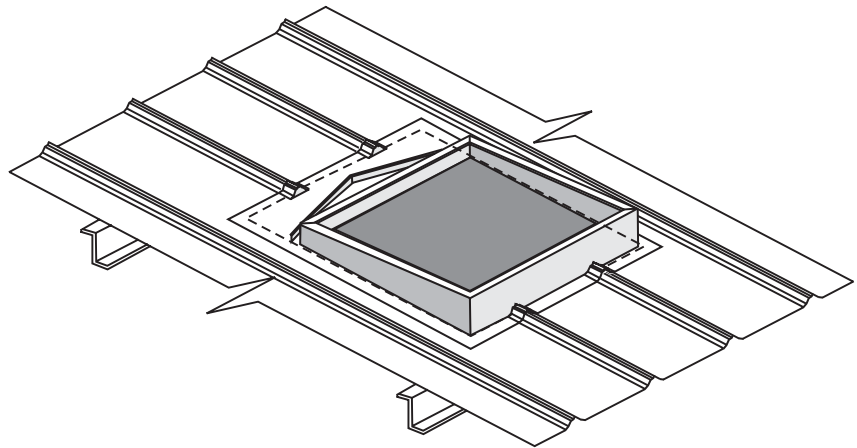
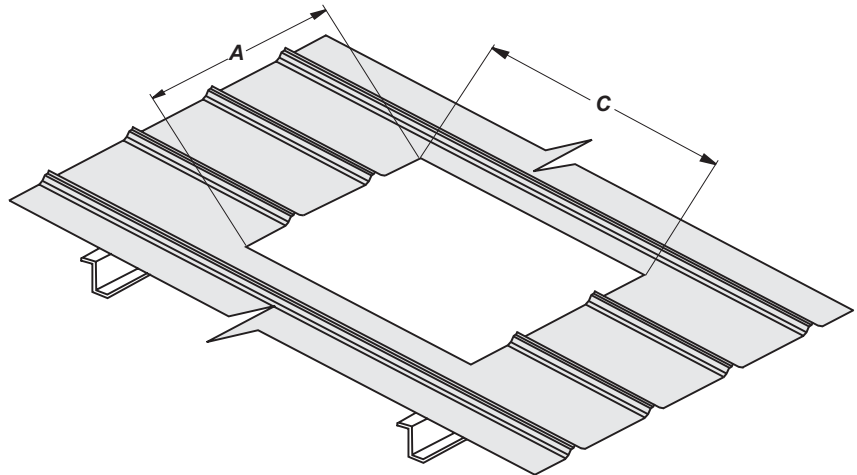
4. Install structural support framing to support curb and equipment loads (keep inside dimension clear). At least two parallel curb walls should be supported. Keep cantilever sections under 12".

5. Apply sealant tape or mastic between curb and roof panel. Apply to roof panel at curb side, upslope and downslope flange locations. Use only building manufacturer approved accessories.

6. Position curb into place over opening of roof panel.

7. Using fasteners to suit roof system, fasten curb to support structure through curb flange and roof panel. Fasteners to be located approximately 4" on center with a minimum of four fasteners per side.

8. Check installation to verify secure attachment and weather sealing. Caulk perimeter edge of curb flanges at roof panel.



ROMLA VENTILATOR COMPANY, INC.

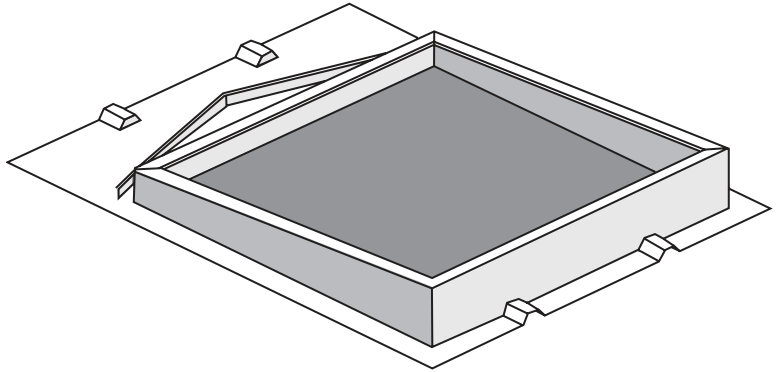
9668-D Heinrich Hertz Drive, San Diego, California 92154 Ph (619) 946-1224 Fax (619) 946-1227



Model RMB2
Metal Building Roof Curb

Specifications:

- 18 Gauge Aluminized Steel
- 6" Curb Height at Upslope
- 1-1/2" Wide Top Flanges
- All Welded Construction
- Upslope Flange with "Over" Contours and Water Diverter
- Downslope Flange with "Over" Contours



Options:

- 16 Ga. Aluminized Steel
- 14 Ga. Aluminized Steel
- .080 Aluminum

Air Dry Enamel Finish

- White
- Custom Color

Special Height

- Damper Shelf/Duct Supports
- Insulation Liner
- Special Rib Placement

Wide Flanges

- Upslope
- Side
- Downslope

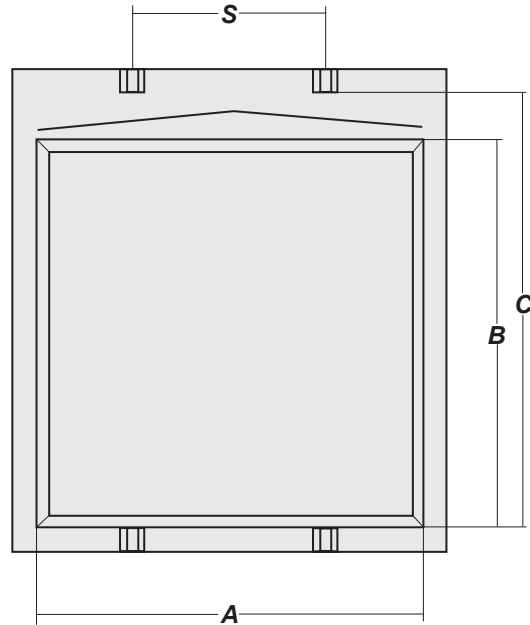
Top Cover

- Top Flange Broken Out
- Cricket in Lieu of Diverter
- Spliced Curb (2 Pieces)
- Sub Framing

2-1/2" Wide Mastic

Roof Panel Mfg:

Panel Model:



Curb Schedule

MARK	QTY	MODEL	A	B	S	PITCH	GA

<p>PROJECT: LOCATION: SUBMITTED BY: DATE:</p>	<p>CONTRACTOR: ENGINEER: APPROVED BY: DATE:</p>
---	---

Model RMB1 & RMB2 Installation Details

1. Mark centerline of roof opening on a fully sheeted roof.

2. Lay out roof opening to match the curb "A" & "C" dimensions using centerline of major rib as a guide.

3. Cut roof opening using normal metal building procedures.

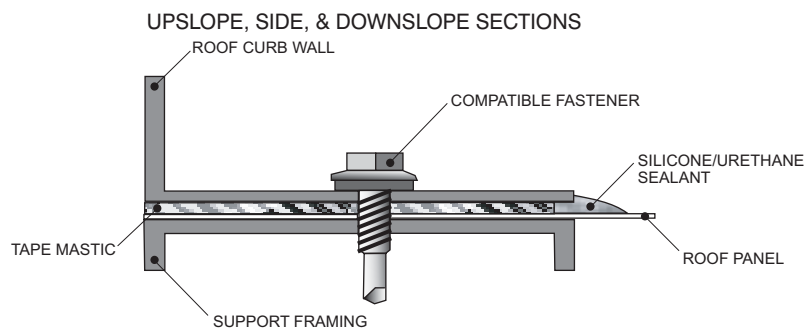
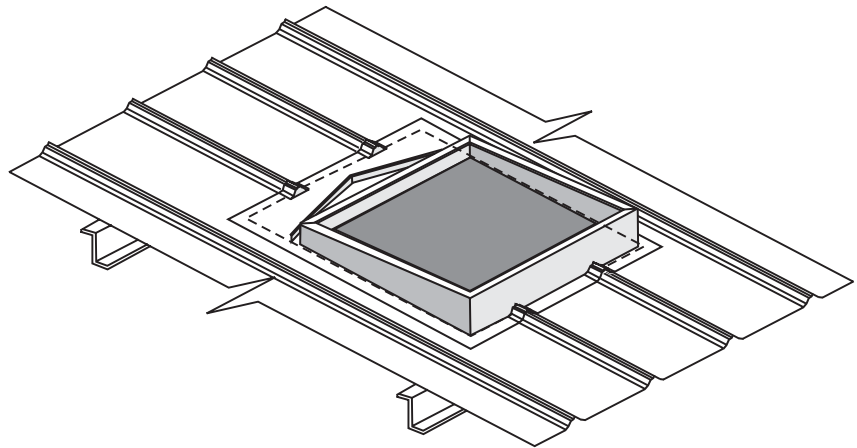
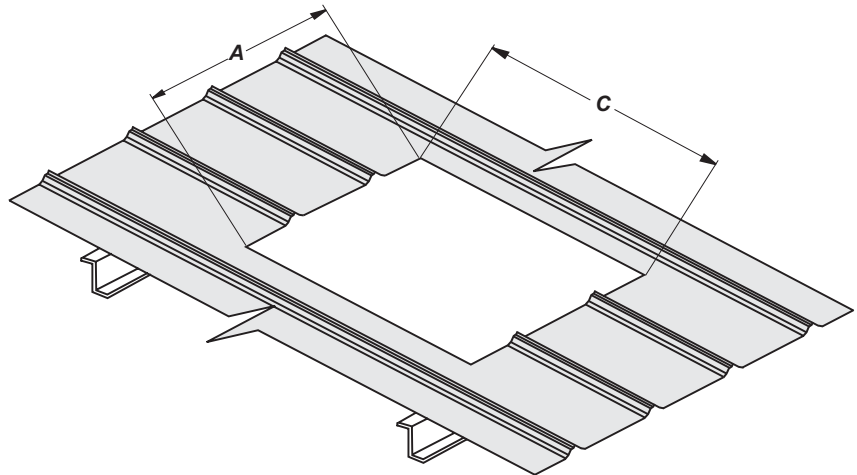
4. Install structural support framing to support curb and equipment loads (keep inside dimension clear). At least two parallel curb walls should be supported. Keep cantilever sections under 12".

5. Apply sealant tape or mastic between curb and roof panel. Apply to roof panel at curb side, upslope and downslope flange locations. Use only building manufacturer approved accessories.

6. Position curb into place over opening of roof panel.

7. Using fasteners to suit roof system, fasten curb to support structure through curb flange and roof panel. Fasteners to be located approximately 4" on center with a minimum of four fasteners per side.

8. Check installation to verify secure attachment and weather sealing. Caulk perimeter edge of curb flanges at roof panel.



ROMLA VENTILATOR COMPANY, INC.

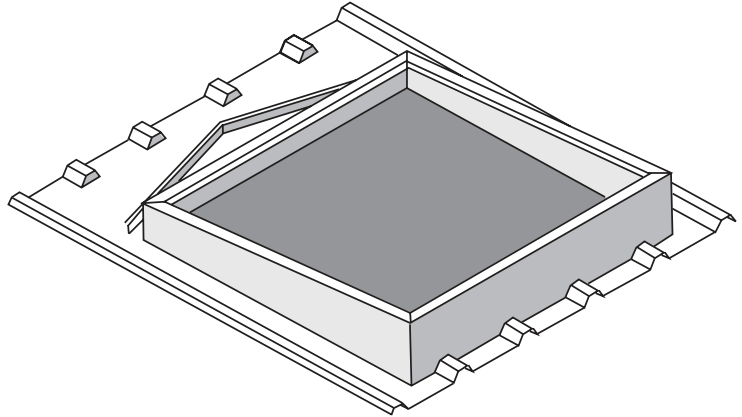
9668-D Heinrich Hertz Drive, San Diego, California 92154 Ph (619) 946-1224 Fax (619) 946-1227



Model RMB2-LO
Metal Building Roof Curb

Specifications:

- 18 Gauge Aluminized Steel
- 6" Curb Height at Upslope
- 1-1/2" Wide Top Flanges
- All Welded Construction
- Upslope Flange with "Over" Contours and Water Diverter
- Downslope Flange with "Over" Contours
- Side Flanges Lap Over One Rib Beyond Each Sidewall



Options:

- ___ 16 Ga. Aluminized Steel
- ___ 14 Ga. Aluminized Steel
- ___ .080 Aluminum

Air Dry Enamel Finish

- ___ White
- ___ Custom Color

- ___ Special Height
- ___ Damper Shelf/Duct Supports
- ___ Insulation Liner
- ___ Special Rib Placement

Wide Flanges

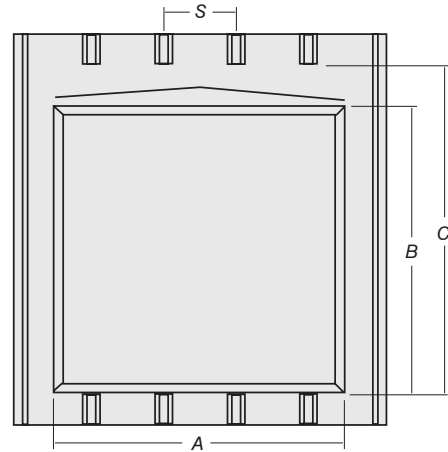
- ___ Upslope
- ___ Side
- ___ Downslope

- ___ Top Cover
- ___ Top Flange Broken Out
- ___ Cricket in Lieu of Diverter
- ___ Spliced Curb (2 Pieces)
- ___ Sub Framing

- ___ 2-1/2" Wide Mastic

Roof Panel Mfg:

Panel Model: _____

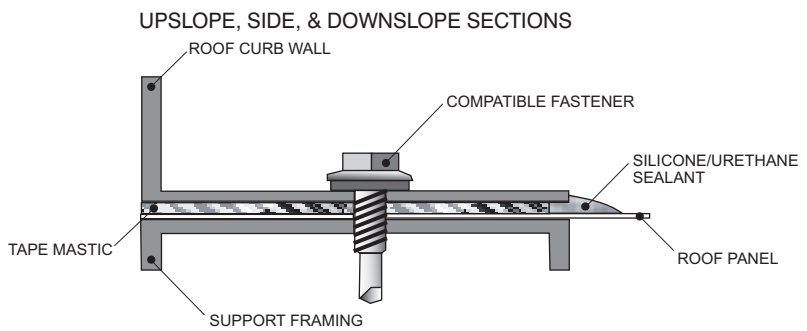
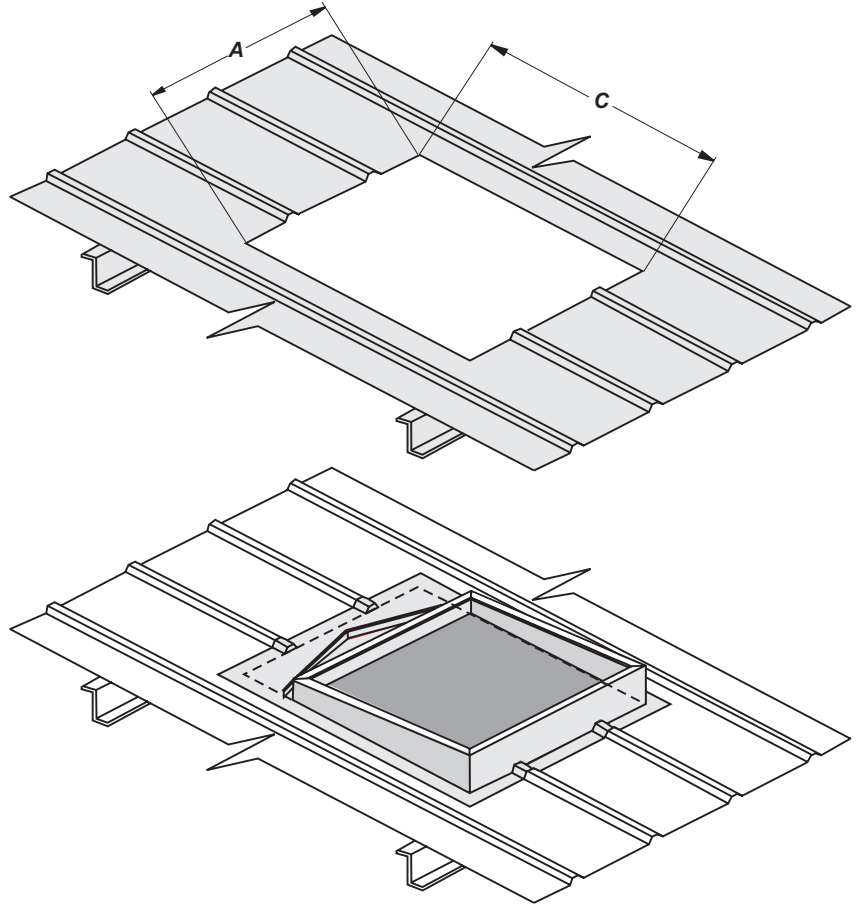


Curb Schedule

MARK	QTY	MODEL	A	B	S	PITCH	GA

<p>PROJECT: LOCATION: SUBMITTED BY: DATE:</p>	<p>CONTRACTOR: ENGINEER: APPROVED BY: DATE:</p>
---	---

Model RMB1 & RMB2-LO Installation Details



ROMLA VENTILATOR COMPANY, INC.

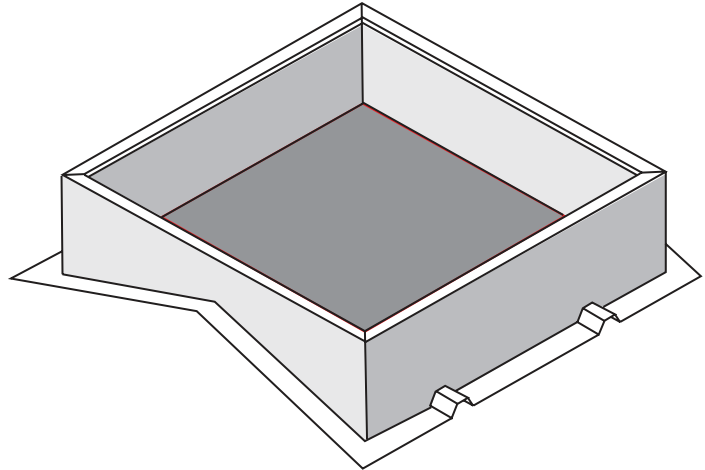
9668-D Heinrich Hertz Drive, San Diego, California 92154 Ph (619) 946-1224 Fax (619) 946-1227



Model RMB2-RM
Metal Building Roof Curb

Specifications:

- 18 Gauge Aluminized Steel
- 6" Minimum Curb Height at Ridge
- 1-1/2" Wide Top Flanges
- All Welded Construction
- "Over" Contours on Downslope Flanges



Options:

- 16 Ga. Aluminized Steel
- 14 Ga. Aluminized Steel
- .080 Aluminum

Air Dry Enamel Finish

- White
- Custom Color

Special Height

- Damper Shelf/Duct Supports
- Special Rib Placement

Wide Flanges

- Upslope
- Side
- Downslope

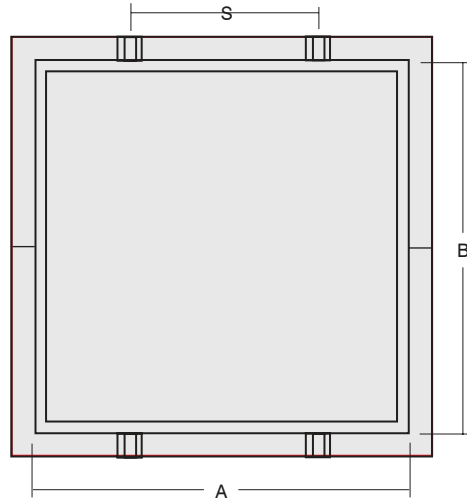
Top Cover

- Top Flange Broken Out
- Cricket in Lieu of Diverter
- Spliced Curb (2 Pieces)
- Sub Framing

2-1/2" Wide Mastic

Roof Panel Mfg:

Panel Model:



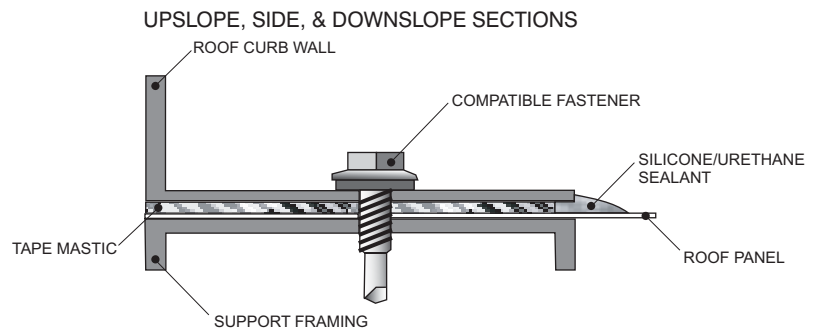
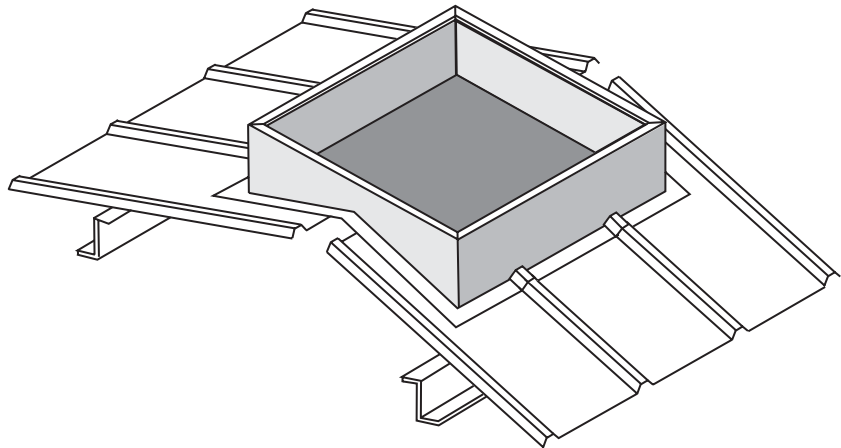
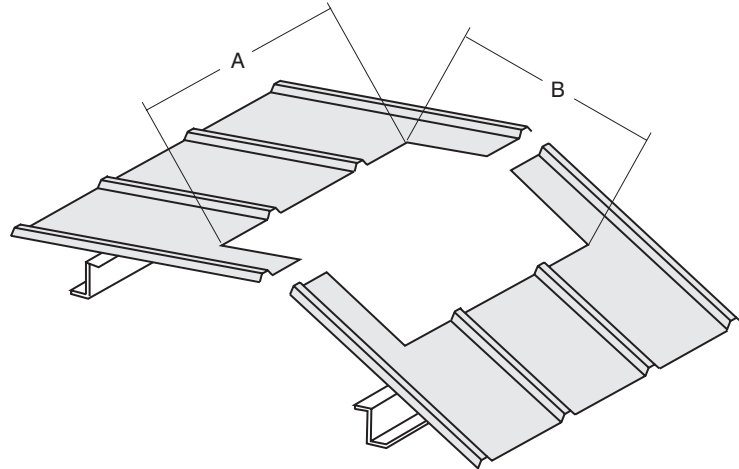
Curb Schedule

MARK	QTY	MODEL	A	B	S	PITCH	GA

<p>PROJECT: LOCATION: SUBMITTED BY: DATE:</p>	<p>CONTRACTOR: ENGINEER: APPROVED BY: DATE:</p>
---	---

Model RMB1-RM & RMB2-RM Installation Details

1. Mark centerline of roof opening on a fully sheeted roof.
2. Lay out roof opening to match the curb "A" & "B" dimensions using centerline of major rib as a guide.
3. Cut roof opening using normal metal building procedures.
4. Install structural support framing to support curb and equipment loads (keep inside dimension clear). At least two parallel curb walls should be supported. Keep cantilever sections under 12".
5. Apply sealant tape or mastic between curb and roof panel. Apply to roof panel at curb side and downslope flange locations. Use only building manufacturer approved accessories.
6. Position curb into place over opening of roof panel.
7. Using fasteners to suit roof system, fasten curb to support structure through curb flange and roof panel. Fasteners to be located approximately 4" on center with a minimum of four fasteners per side.
8. Check installation to verify secure attachment and weather sealing. Caulk perimeter edge of curb flanges at roof panel.



ROMLA VENTILATOR COMPANY, INC.

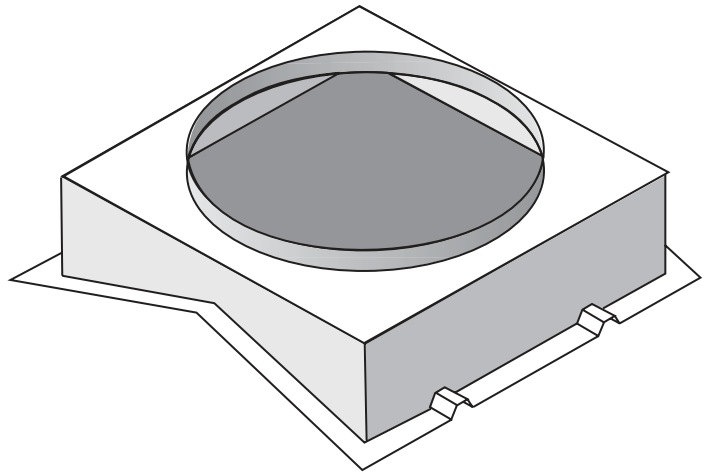
9668-D Heinrich Hertz Drive, San Diego, California 92154 Ph (619) 946-1224 Fax (619) 946-1227



**Model RMB2-RM-C
Metal Building Roof Curb**

Specifications:

- 18 Gauge Aluminized Steel
- 6" Minimum Curb Height at Ridge
- 1-1/2" Wide Top Flanges
- All Welded Construction
- "Over" Contours on Downslope Flanges



Options:

- 16 Ga. Aluminized Steel
- 14 Ga. Aluminized Steel
- .080 Aluminum

Air Dry Enamel Finish

- White
- Custom Color

Special Height

- Damper Shelf/Duct Supports
- Special Rib Placement

Wide Flanges

- Upslope
- Side
- Downslope

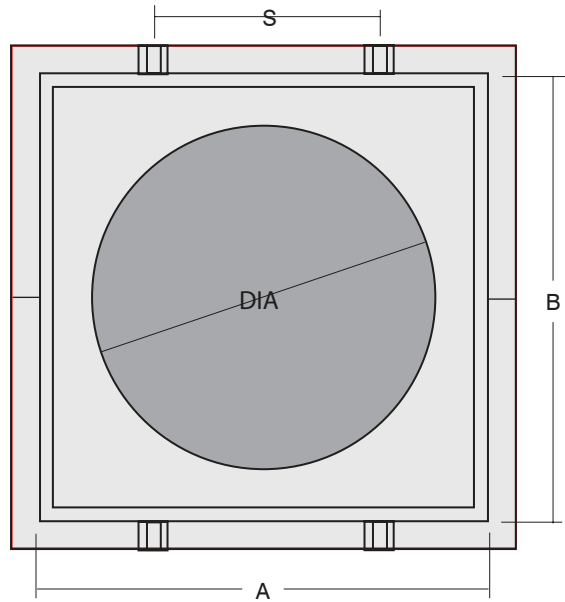
Top Cover

- Top Flange Broken Out
- Cricket in Lieu of Diverter
- Spliced Curb (2 Pieces)
- Sub Framing

2-1/2" Wide Mastic

Roof Panel Mfg:

Panel Model:



Curb Schedule

MARK	QTY	MODEL	A	B	S	PITCH	GA

PROJECT:
LOCATION:
SUBMITTED BY:
DATE:

CONTRACTOR:
ENGINEER:
APPROVED BY:
DATE:

ROMLA VENTILATOR COMPANY, INC.

9668-D Heinrich Hertz Drive, San Diego, California 92154 Ph (619) 946-1224 Fax (619) 946-1227

Model RMB1-RM-C & RMB2-RM-C Installation Details

1. Mark centerline of roof opening on a fully sheeted roof.

2. Lay out roof opening to match the curb "A" & "B" dimensions using centerline of major rib as a guide.

3. Cut roof opening using normal metal building procedures.

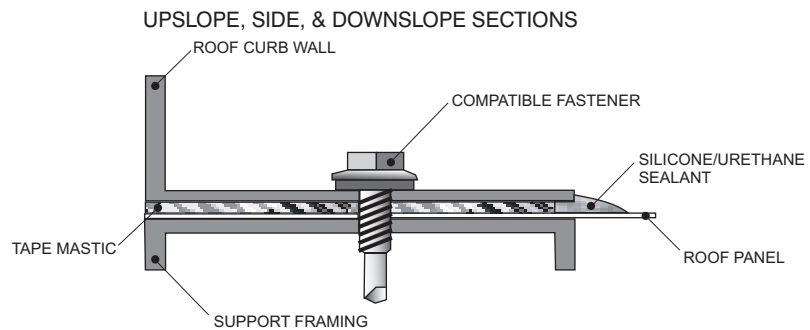
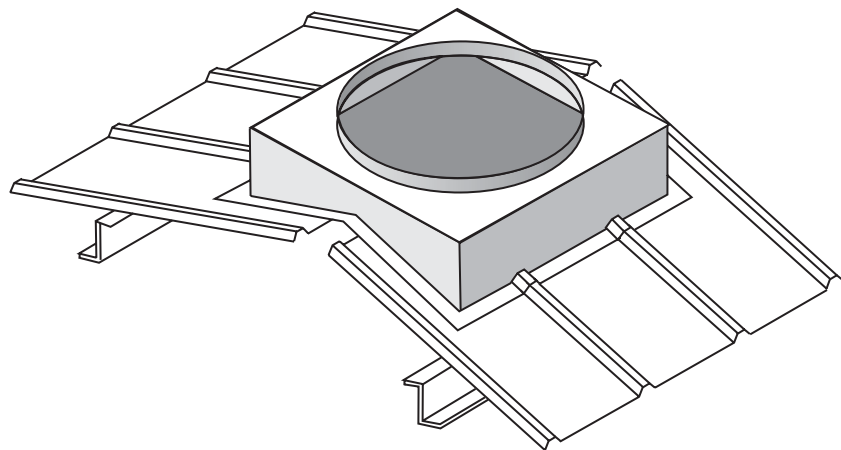
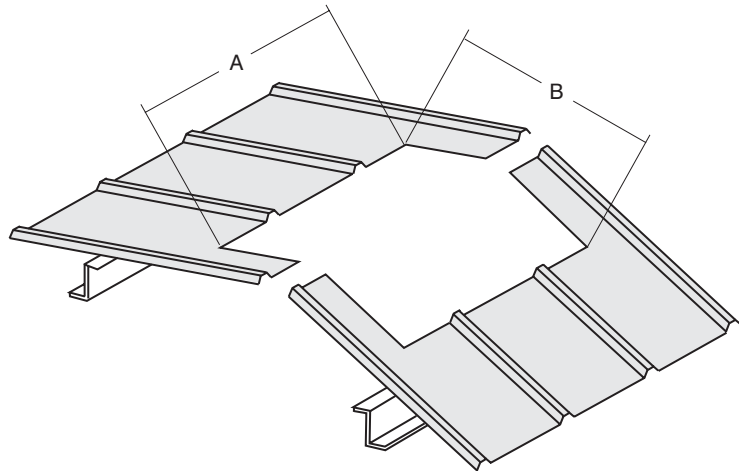
4. Install structural support framing to support curb and equipment loads (keep inside dimension clear). At least two parallel curb walls should be supported. Keep cantilever sections under 12".

5. Apply sealant tape or mastic between curb and roof panel. Apply to roof panel at curb side and downslope flange locations. Use only building manufacturer approved accessories.

6. Position curb into place over opening of roof panel.

7. Using fasteners to suit roof system, fasten curb to support structure through curb flange and roof panel. Fasteners to be located approximately 4" on center with a minimum of four fasteners per side.

8. Check installation to verify secure attachment and weather sealing. Caulk perimeter edge of curb flanges at roof panel.



ROMLA VENTILATOR COMPANY, INC.

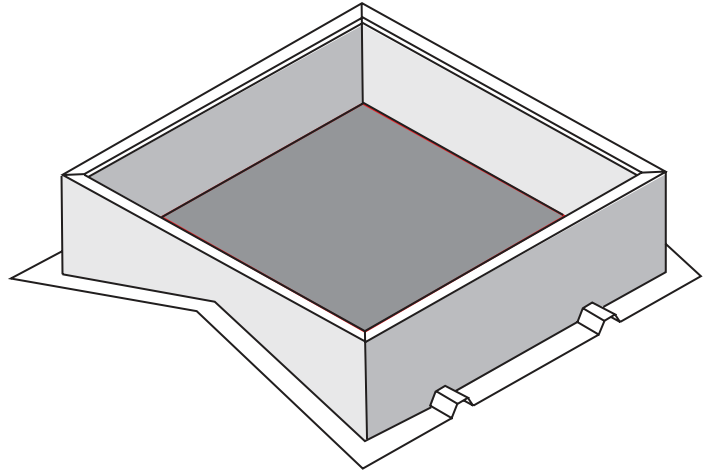
9668-D Heinrich Hertz Drive, San Diego, California 92154 Ph (619) 946-1224 Fax (619) 946-1227



Model RMB2-RM
Metal Building Roof Curb

Specifications:

- 18 Gauge Aluminized Steel
- 6" Minimum Curb Height at Ridge
- 1-1/2" Wide Top Flanges
- All Welded Construction
- "Over" Contours on Downslope Flanges



Options:

- 16 Ga. Aluminized Steel
- 14 Ga. Aluminized Steel
- .080 Aluminum

Air Dry Enamel Finish

- White
- Custom Color

Special Height

- Damper Shelf/Duct Supports
- Special Rib Placement

Wide Flanges

- Upslope
- Side
- Downslope

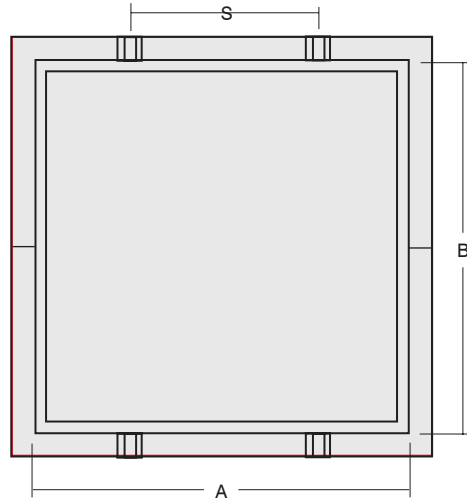
Top Cover

- Top Flange Broken Out
- Cricket in Lieu of Diverter
- Spliced Curb (2 Pieces)
- Sub Framing

2-1/2" Wide Mastic

Roof Panel Mfg:

Panel Model:



Curb Schedule

MARK	QTY	MODEL	A	B	S	PITCH	GA

PROJECT:
LOCATION:
SUBMITTED BY:
DATE:

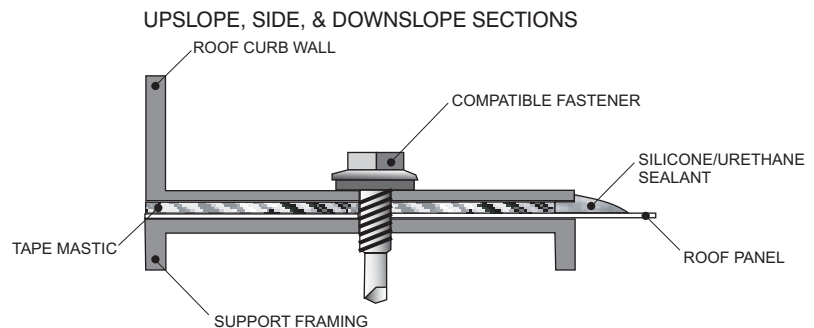
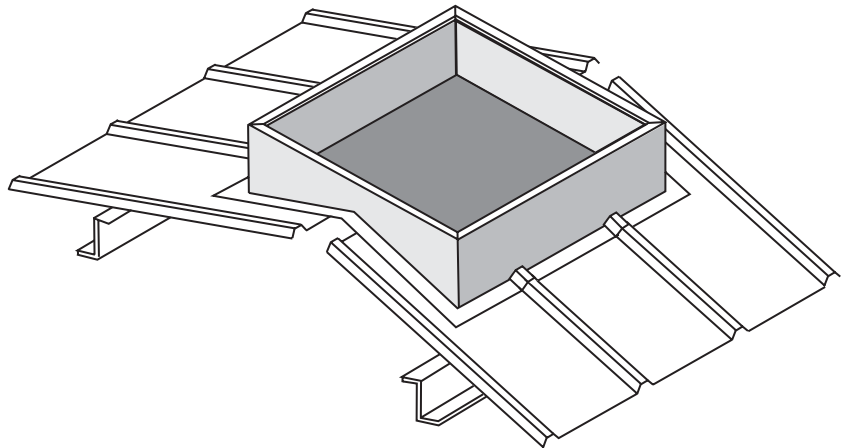
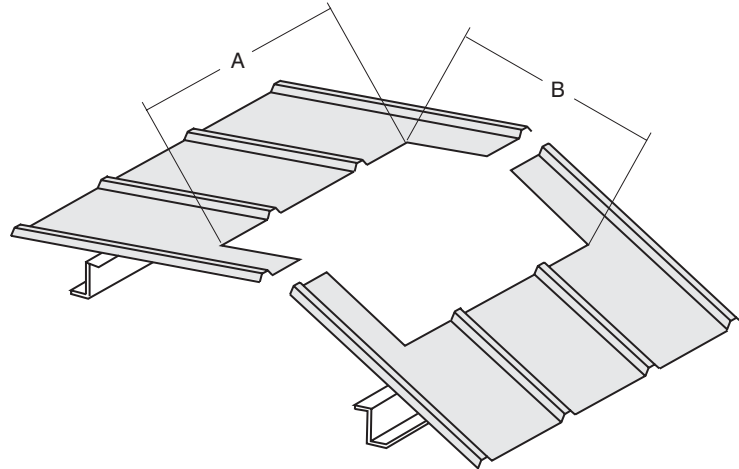
CONTRACTOR:
ENGINEER:
APPROVED BY:
DATE:

ROMLA VENTILATOR COMPANY, INC.

9668-D Heinrich Hertz Drive, San Diego, California 92154 Ph (619) 946-1224 Fax (619) 946-1227

Model RMB1-RM & RMB2-RM Installation Details

1. Mark centerline of roof opening on a fully sheeted roof.
2. Lay out roof opening to match the curb "A" & "B" dimensions using centerline of major rib as a guide.
3. Cut roof opening using normal metal building procedures.
4. Install structural support framing to support curb and equipment loads (keep inside dimension clear). At least two parallel curb walls should be supported. Keep cantilever sections under 12".
5. Apply sealant tape or mastic between curb and roof panel. Apply to roof panel at curb side and downslope flange locations. Use only building manufacturer approved accessories.
6. Position curb into place over opening of roof panel.
7. Using fasteners to suit roof system, fasten curb to support structure through curb flange and roof panel. Fasteners to be located approximately 4" on center with a minimum of four fasteners per side.
8. Check installation to verify secure attachment and weather sealing. Caulk perimeter edge of curb flanges at roof panel.



ROMLA VENTILATOR COMPANY, INC.

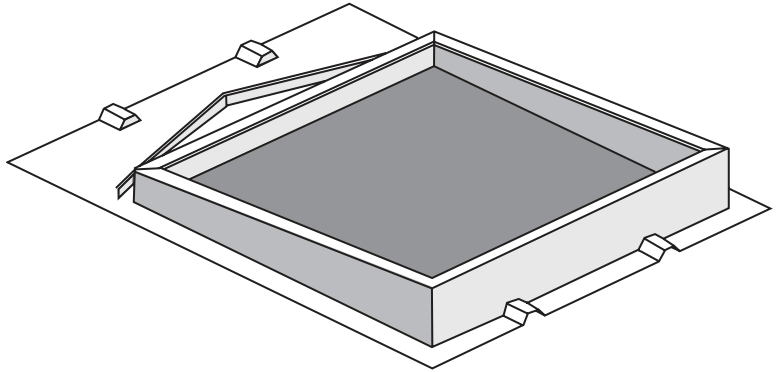
9668-D Heinrich Hertz Drive, San Diego, California 92154 Ph (619) 946-1224 Fax (619) 946-1227



Model RMB2
Metal Building Roof Curb

Specifications:

- 18 Gauge Aluminized Steel
- 6" Curb Height at Upslope
- 1-1/2" Wide Top Flanges
- All Welded Construction
- Upslope Flange with "Over" Contours and Water Diverter
- Downslope Flange with "Over" Contours



Options:

- 16 Ga. Aluminized Steel
- 14 Ga. Aluminized Steel
- .080 Aluminum

Air Dry Enamel Finish

- White
- Custom Color

Special Height

- Damper Shelf/Duct Supports
- Insulation Liner
- Special Rib Placement

Wide Flanges

- Upslope
- Side
- Downslope

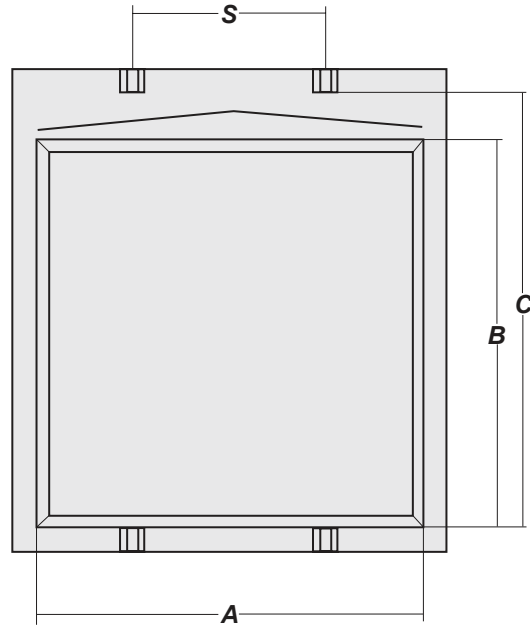
Top Cover

- Top Flange Broken Out
- Cricket in Lieu of Diverter
- Spliced Curb (2 Pieces)
- Sub Framing

2-1/2" Wide Mastic

Roof Panel Mfg:

Panel Model:



Curb Schedule

MARK	QTY	MODEL	A	B	S	PITCH	GA

<p>PROJECT: LOCATION: SUBMITTED BY: DATE:</p>	<p>CONTRACTOR: ENGINEER: APPROVED BY: DATE:</p>
---	---

Model RMB1 & RMB2 Installation Details

1. Mark centerline of roof opening on a fully sheeted roof.

2. Lay out roof opening to match the curb "A" & "C" dimensions using centerline of major rib as a guide.

3. Cut roof opening using normal metal building procedures.

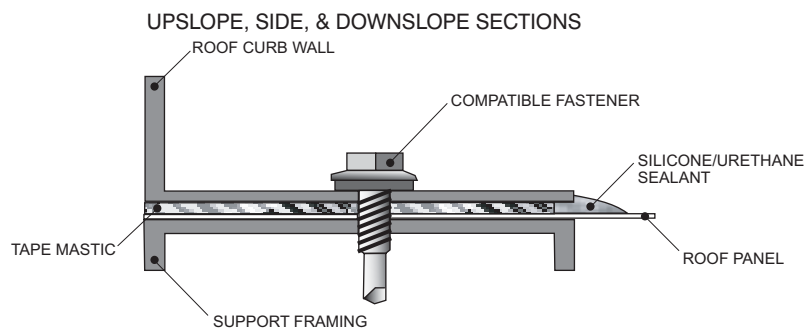
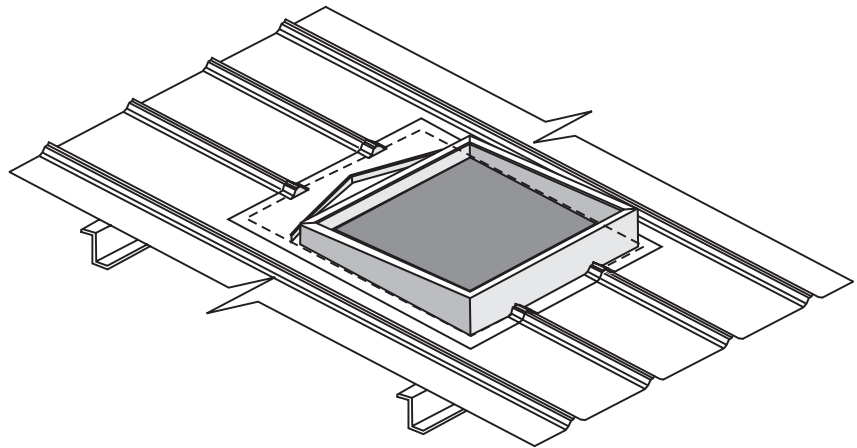
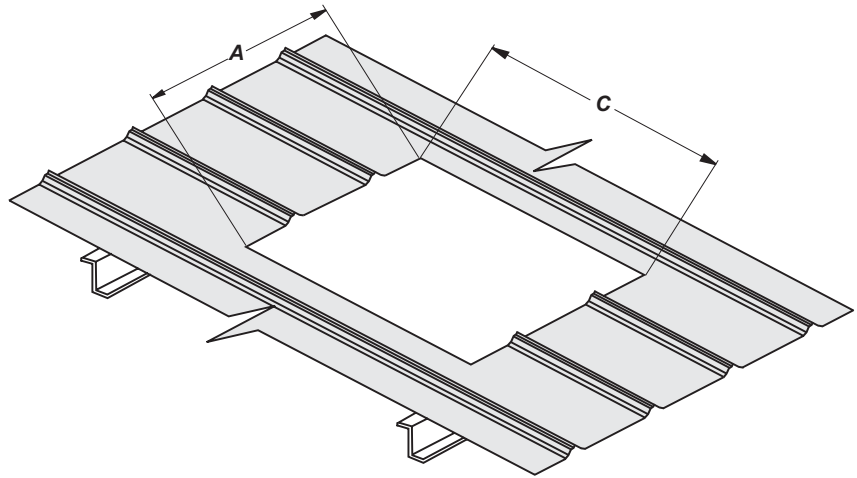
4. Install structural support framing to support curb and equipment loads (keep inside dimension clear). At least two parallel curb walls should be supported. Keep cantilever sections under 12".

5. Apply sealant tape or mastic between curb and roof panel. Apply to roof panel at curb side, upslope and downslope flange locations. Use only building manufacturer approved accessories.

6. Position curb into place over opening of roof panel.

7. Using fasteners to suit roof system, fasten curb to support structure through curb flange and roof panel. Fasteners to be located approximately 4" on center with a minimum of four fasteners per side.

8. Check installation to verify secure attachment and weather sealing. Caulk perimeter edge of curb flanges at roof panel.



ROMLA VENTILATOR COMPANY, INC.

9668-D Heinrich Hertz Drive, San Diego, California 92154 Ph (619) 946-1224 Fax (619) 946-1227



**Model RMB3
Metal Building Roof Curb**

Specifications:

- 18 Gauge Aluminized Steel
- 6" Curb Height at Upslope
- 1-1/2" Wide Top Flanges
- All Welded Construction
- Upslope Flat Flange with a Water Diverter
- Downslope Flat Flange with Slotting by Others
- 1-1/2" Thick, 3 lb. Insulation

Options:

- 16 Ga. Aluminized Steel
- 14 Ga. Aluminized Steel
- .080 Aluminum

Air Dry Enamel Finish

- White
- Custom Color

- Special Height
- Damper Shelf/Duct Supports
- Inside or Outside Insulation Liner
- Special Rib Placement

Wide Flanges

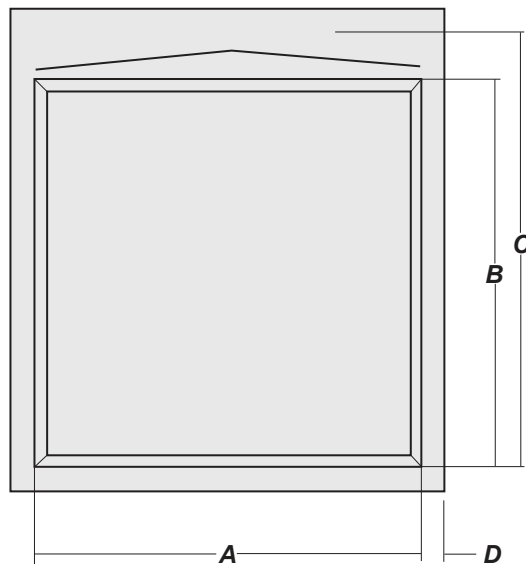
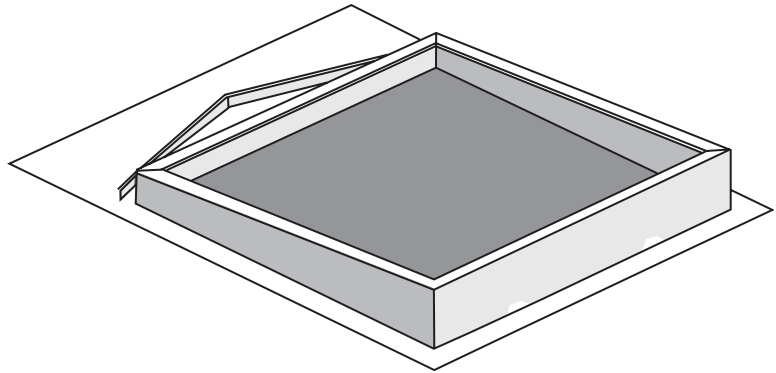
- Upslope
- Side
- Downslope

- Top Cover
- Top Flange Broken Out
- Cricket in Lieu of Diverter
- Spliced Curb (2 Pieces)
- Sub Framing

2-1/2" Wide Mastic

Roof Panel Mfg:

Panel Model:



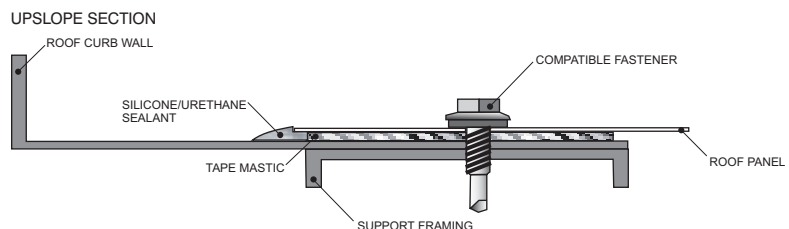
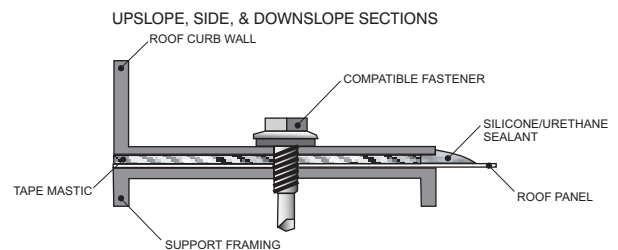
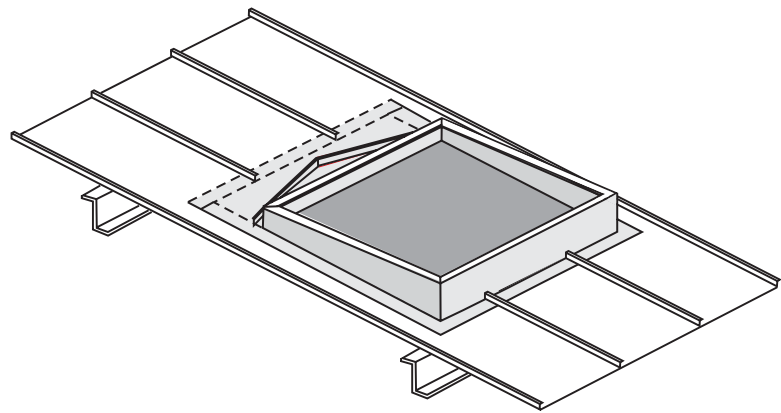
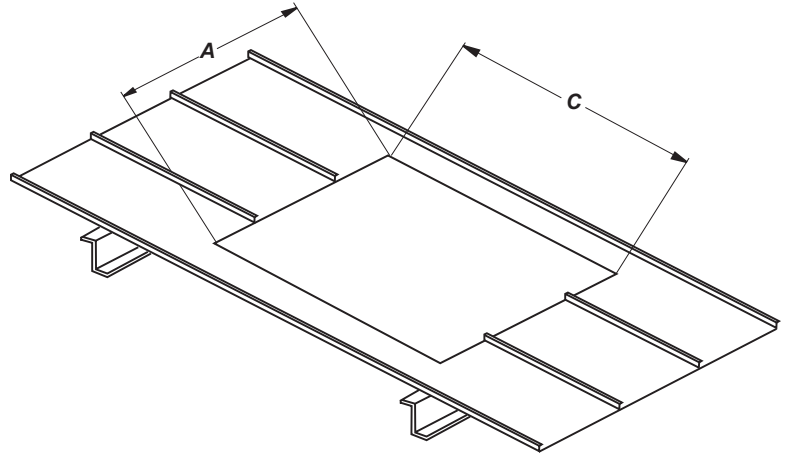
Curb Schedule

MARK	QTY	MODEL	A	B	S	PITCH	GA

<p>PROJECT: LOCATION: SUBMITTED BY: DATE:</p>	<p>CONTRACTOR: ENGINEER: APPROVED BY: DATE:</p>
--	--

Model RMB3 & RMB4 Installation Details

1. Mark centerline of roof opening on a fully sheeted roof.
2. Lay out roof opening to match the curb "A", "C" & "D" dimensions using centerline of major rib as a guide.
3. Cut roof opening using normal metal building procedures. Slit upslope edges of rough opening ("D") for side flange penetration at transition point.
4. Install structural support framing to support curb and equipment loads (keep inside dimension clear). At least two parallel curb walls should be supported. Keep cantilever sections under 12".
5. Apply sealant tape or mastic between curb and roof panel. Apply to roof panel at curb side and downslope flange locations. Also apply to curb upslope flange. Slot downslope flange to fit standing seams of roof panel as required. Use only building manufacturer's approved accessories.
6. Position curb into place over opening of roof panel. Upslope flange goes under roof panel and side, downslope flanges go over roof panel.
7. Using fasteners to suit roof system, fasten curb to support structure through curb flange and roof panel. Fasteners to be located approximately 4" on center with a minimum of four fasteners per side.
8. Check installation to verify secure attachment and weather sealing. Caulk perimeter edge of curb flanges at roof panel.



ROMLA VENTILATOR COMPANY, INC.

9668-D Heinrich Hertz Drive, San Diego, California 92154 Ph (619) 946-1224 Fax (619) 946-1227



**Type RMB3-RM
Metal Building Roof Curb**

Specifications:

- 18 Gauge Aluminized Steel
- 6" Minimum Curb Height at Ridge
- 1-1/2" Wide Top Flanges
- All Welded Construction
- Flat Flanges With Closures
(Closures Supplied by Others)
- 1-1/2" Thick, 3lb Insulation

Options:

- 16 Ga. Aluminized Steel
- 14 Ga. Aluminized Steel
- .080 Aluminum

Air Dry Enamel Finish

- White
- Custom Color

Special Height

- Damper Shelf/Duct Supports
- Inside or Outside Insulation Liner

Wide Flanges

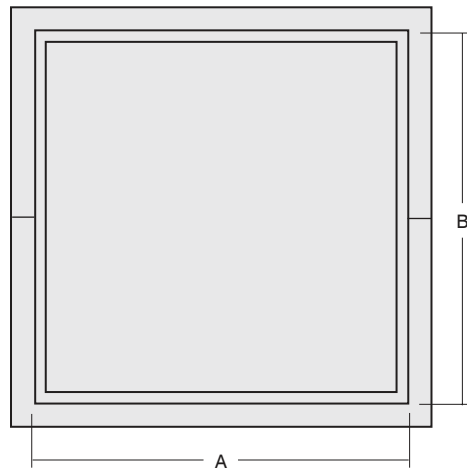
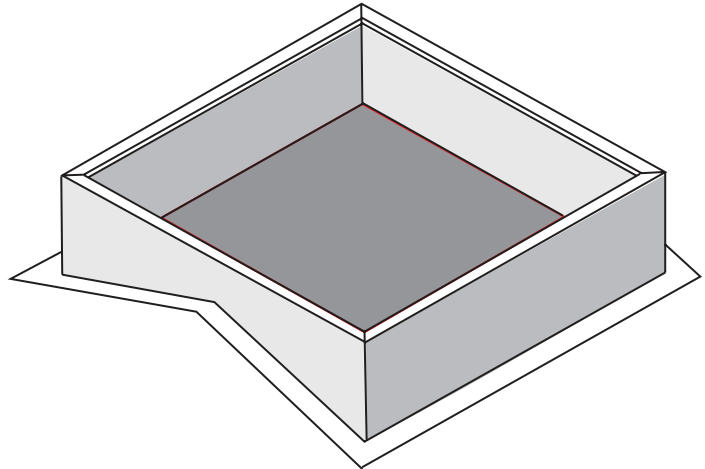
- Side
- Downslope

Top Cover

- Top Flange Broken Out
- Cricket in Lieu of Diverter
- Spliced Curb (2 Pieces)
- Sub Framing
- 2-1/2" Wide Mastic

Roof Panel Mfg:

Panel Model:



Curb Schedule

MARK	QTY	MODEL	A	B	S	PITCH	GA

PROJECT:
LOCATION:
SUBMITTED BY:
DATE:

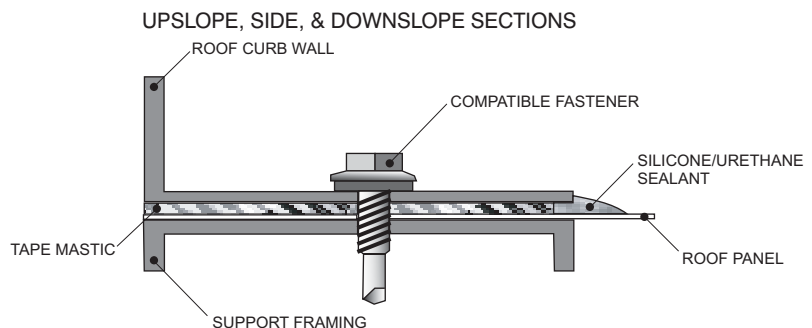
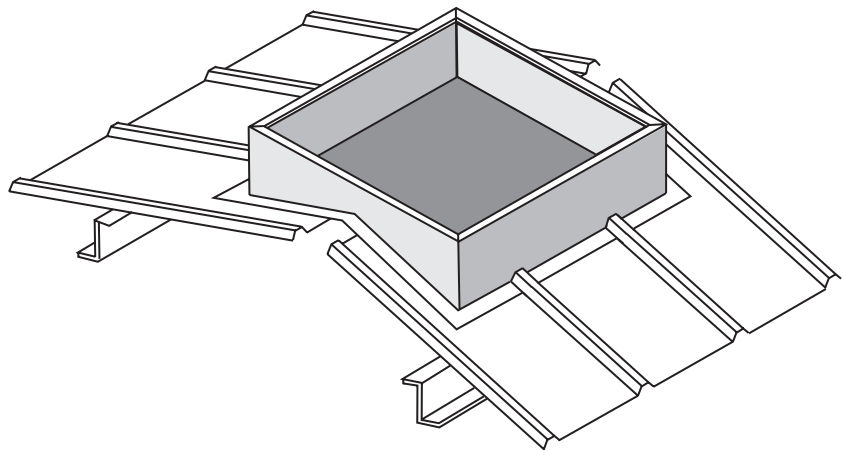
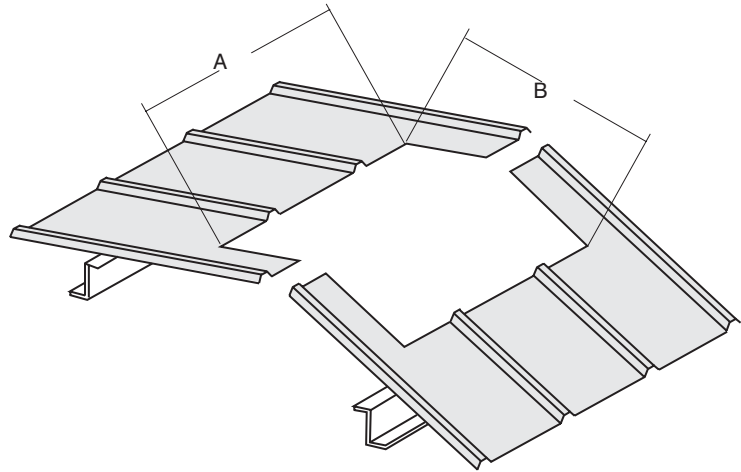
CONTRACTOR:
ENGINEER:
APPROVED BY:
DATE:

ROMLA VENTILATOR COMPANY, INC.

9668-D Heinrich Hertz Drive, San Diego, California 92154 Ph (619) 946-1224 Fax (619) 946-1227

Model RMB3-RM & RMB4-RM Installation Details

1. Mark centerline of roof opening on a fully sheeted roof.
2. Lay out roof opening to match the curb "A" & "B" dimensions using centerline of major rib as a guide.
3. Cut roof opening using normal metal building procedures.
4. Install structural support framing to support curb and equipment loads (keep inside dimension clear). At least two parallel curb walls should be supported. Keep cantilever sections under 12".
5. Apply closures and sealant tape (or mastic) between curb and roof panel. Apply to roof panel at curb side and downslope flange locations. Use only building manufacturer's approved accessories.
6. Position curb into place over opening of roof panel.
7. Using fasteners to suit roof system, fasten curb to support structure through curb flange and roof panel. Fasteners to be located approximately 4" on center with a minimum of four fasteners per side.
8. Check installation to verify secure attachment and weather sealing. Caulk perimeter edge of curb flanges at roof panel.



ROMLA VENTILATOR COMPANY, INC.

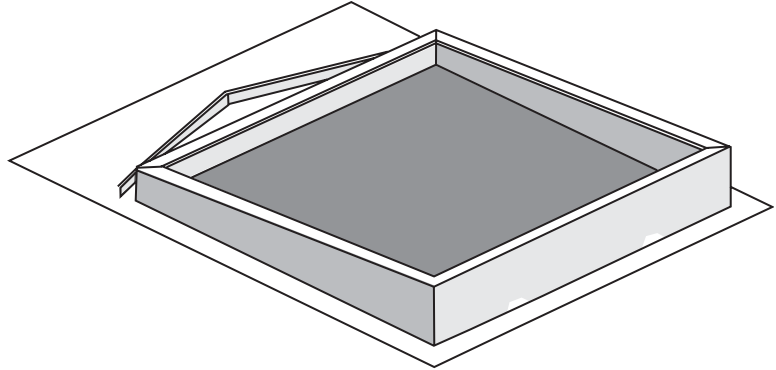
9668-D Heinrich Hertz Drive, San Diego, California 92154 Ph (619) 946-1224 Fax (619) 946-1227



**Model RMB4
Metal Building Roof Curb**

Specifications:

- 18 Gauge Aluminized Steel
- 6" Curb Height at Upslope
- 1-1/2" Wide Top Flanges
- All Welded Construction
- Upslope Flat Flange with a Water Diverter
- Downslope Flat Flange with Slotting by Others



Options:

- 16 Ga. Aluminized Steel
- 14 Ga. Aluminized Steel
- .080 Aluminum

Air Dry Enamel Finish

- White
- Custom Color

Special Height

- Damper Shelf/Duct Supports

Wide Flanges

- Upslope
- Side
- Downslope

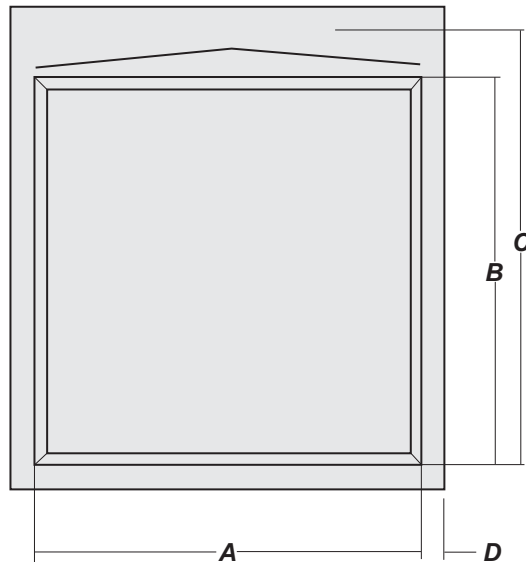
Top Cover

- Top Flange Broken Out
- Cricket in Lieu of Diverter
- Spliced Curb (2 Pieces)
- Sub Framing

2-1/2" Wide Mastic

Roof Panel Mfg:

Panel Model: _____



Curb Schedule

MARK	QTY	MODEL	A	B	PITCH	GA

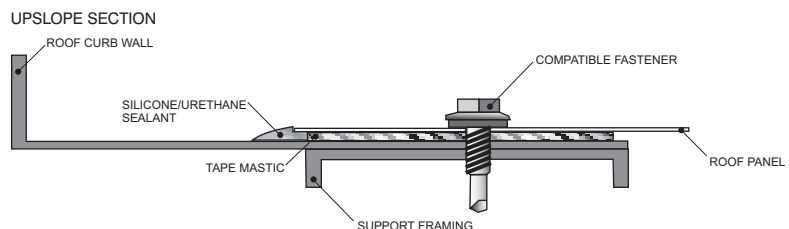
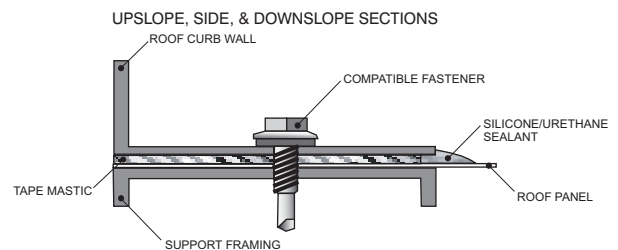
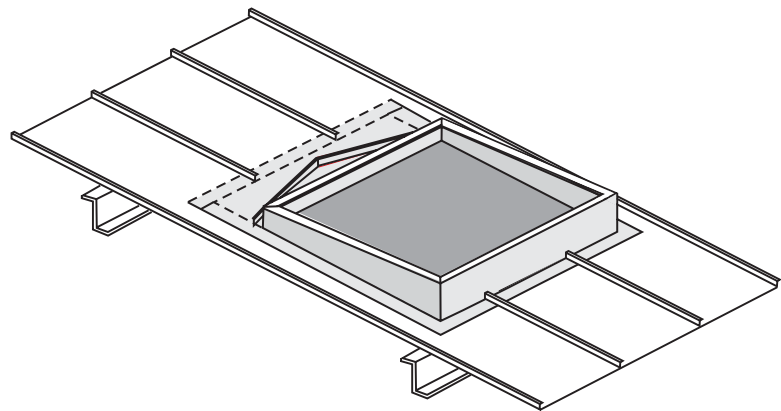
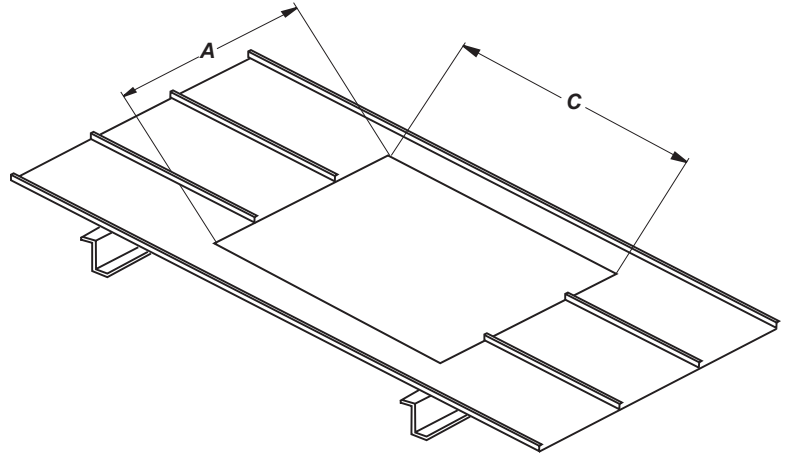
<p>PROJECT: LOCATION: SUBMITTED BY: DATE:</p>	<p>CONTRACTOR: ENGINEER: APPROVED BY: DATE:</p>
---	---

ROMLA VENTILATOR COMPANY, INC.

9668-D Heinrich Hertz Drive, San Diego, California 92154 Ph (619) 946-1224 Fax (619) 946-1227

Model RMB3 & RMB4 Installation Details

1. Mark centerline of roof opening on a fully sheeted roof.
2. Lay out roof opening to match the curb "A", "C" & "D" dimensions using centerline of major rib as a guide.
3. Cut roof opening using normal metal building procedures. Slit upslope edges of rough opening ("D") for side flange penetration at transition point.
4. Install structural support framing to support curb and equipment loads (keep inside dimension clear). At least two parallel curb walls should be supported. Keep cantilever sections under 12".
5. Apply sealant tape or mastic between curb and roof panel. Apply to roof panel at curb side and downslope flange locations. Also apply to curb upslope flange. Slot downslope flange to fit standing seams of roof panel as required. Use only building manufacturer's approved accessories.
6. Position curb into place over opening of roof panel. Upslope flange goes under roof panel and side, downslope flanges go over roof panel.
7. Using fasteners to suit roof system, fasten curb to support structure through curb flange and roof panel. Fasteners to be located approximately 4" on center with a minimum of four fasteners per side.
8. Check installation to verify secure attachment and weather sealing. Caulk perimeter edge of curb flanges at roof panel.



ROMLA VENTILATOR COMPANY, INC.

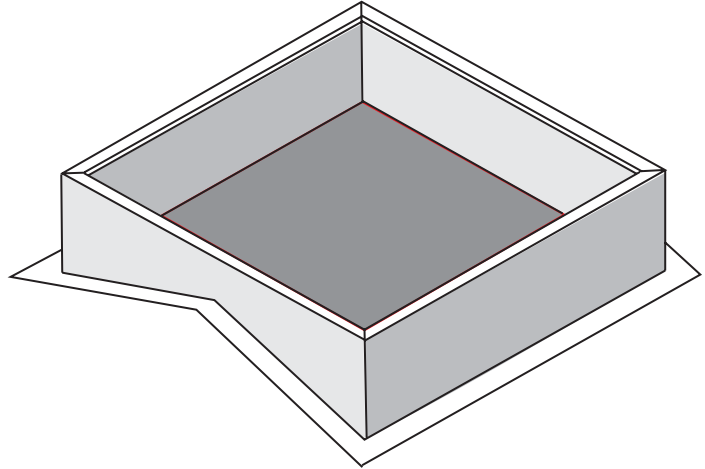
9668-D Heinrich Hertz Drive, San Diego, California 92154 Ph (619) 946-1224 Fax (619) 946-1227



**Type RMB4-RM
Metal Building Roof Curb**

Specifications:

- 18 Gauge Aluminized Steel
- 6" Minimum Curb Height at Ridge
- 1-1/2" Wide Top Flanges
- All Welded Construction
- Flat Flanges With Closures
(Closures Supplied by Others)



Options:

- 16 Ga. Aluminized Steel
- 14 Ga. Aluminized Steel
- .080 Aluminum

Air Dry Enamel Finish

- White
- Custom Color

Special Height

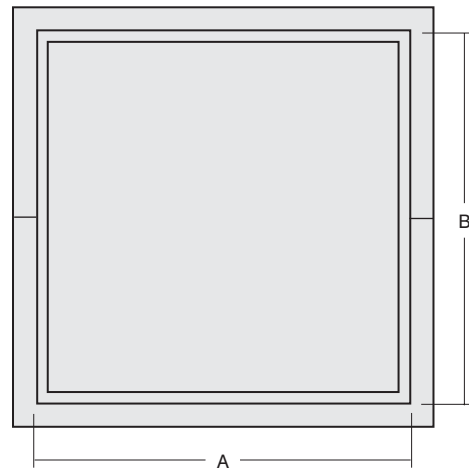
- Damper Shelf/Duct Supports

Wide Flanges

- Side
- Downslope

Top Cover

- Top Flange Broken Out
- Cricket in Lieu of Diverter
- Spliced Curb (2 Pieces)
- Sub Framing
- 2-1/2" Wide Mastic



Curb Schedule

MARK	QTY	MODEL	A	B	PITCH	GA

Roof Panel Mfg:

Panel Model:

PROJECT:
LOCATION:
SUBMITTED BY:
DATE:

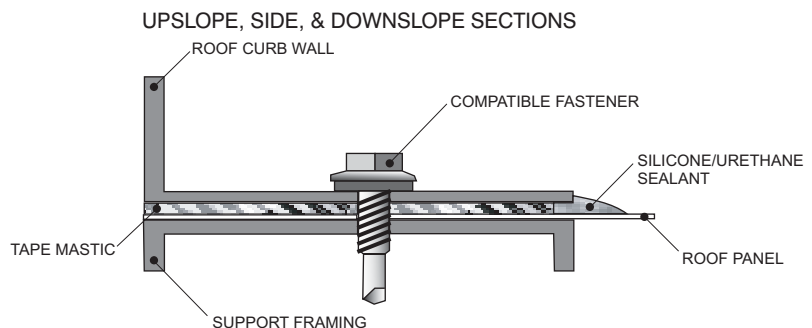
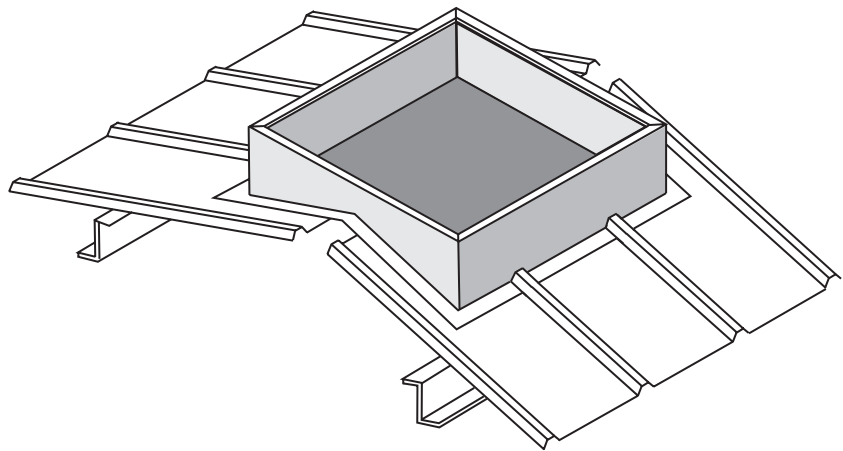
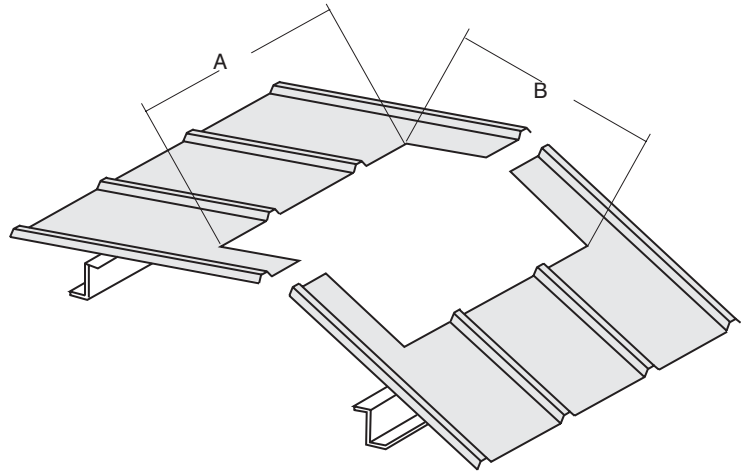
CONTRACTOR:
ENGINEER:
APPROVED BY:
DATE:

ROMLA VENTILATOR COMPANY, INC.

9668-D Heinrich Hertz Drive, San Diego, California 92154 Ph (619) 946-1224 Fax (619) 946-1227

Model RMB3-RM & RMB4-RM Installation Details

1. Mark centerline of roof opening on a fully sheeted roof.
2. Lay out roof opening to match the curb "A" & "B" dimensions using centerline of major rib as a guide.
3. Cut roof opening using normal metal building procedures.
4. Install structural support framing to support curb and equipment loads (keep inside dimension clear). At least two parallel curb walls should be supported. Keep cantilever sections under 12".
5. Apply closures and sealant tape (or mastic) between curb and roof panel. Apply to roof panel at curb side and downslope flange locations. Use only building manufacturer's approved accessories.
6. Position curb into place over opening of roof panel.
7. Using fasteners to suit roof system, fasten curb to support structure through curb flange and roof panel. Fasteners to be located approximately 4" on center with a minimum of four fasteners per side.
8. Check installation to verify secure attachment and weather sealing. Caulk perimeter edge of curb flanges at roof panel.



ROMLA VENTILATOR COMPANY, INC.

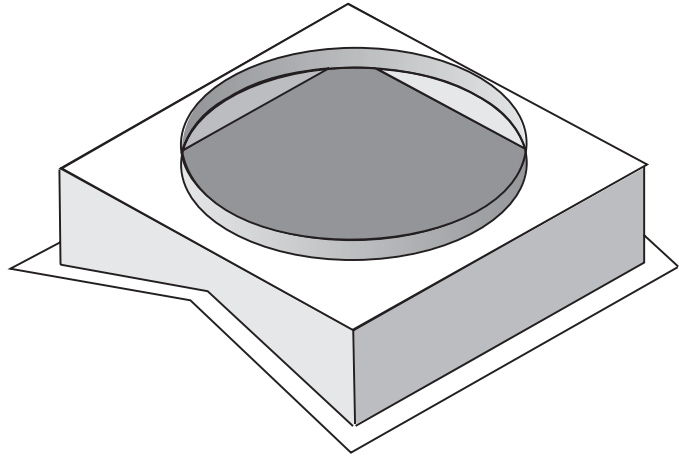
9668-D Heinrich Hertz Drive, San Diego, California 92154 Ph (619) 946-1224 Fax (619) 946-1227



**Type RMB4-RM-C
Metal Building Roof Curb**

Specifications:

- 18 Gauge Aluminized Steel
- 6" Minimum Curb Height at Ridge
- 1-1/2" Wide Top Flanges
- All Welded Construction
- Flat Flanges With Closures
(Closures Supplied by Others)



Options:

- 16 Ga. Aluminized Steel
- 14 Ga. Aluminized Steel
- .080 Aluminum

Air Dry Enamel Finish

- White
- Custom Color

Special Height

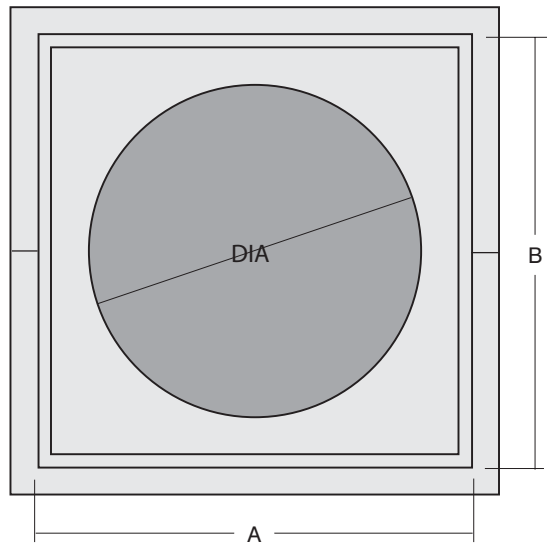
- Damper Shelf/Duct Supports

Wide Flanges

- Side
- Downslope

Top Cover

- Top Flange Broken Out
- Cricket in Lieu of Diverter
- Spliced Curb (2 Pieces)
- Sub Framing
- 2-1/2" Wide Mastic



Curb Schedule

MARK	QTY	MODEL	A	B	DIA	PITCH	GA

Roof Panel Mfg:

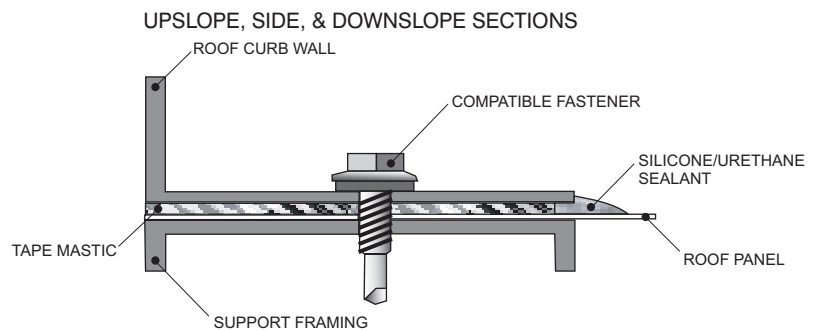
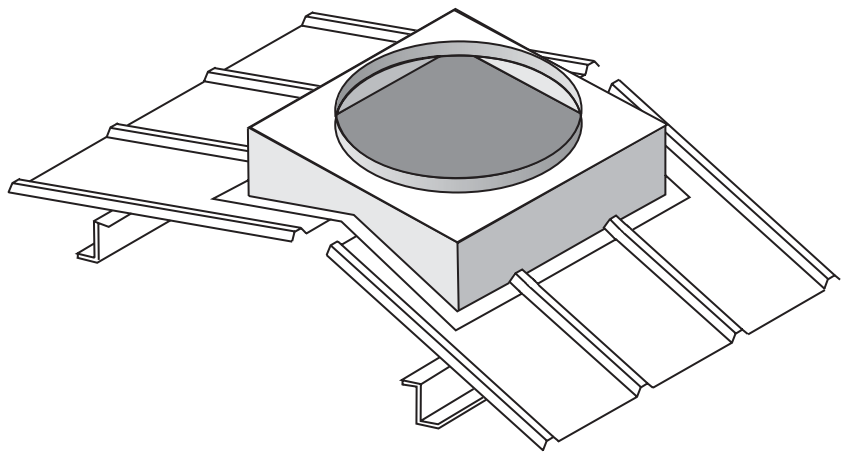
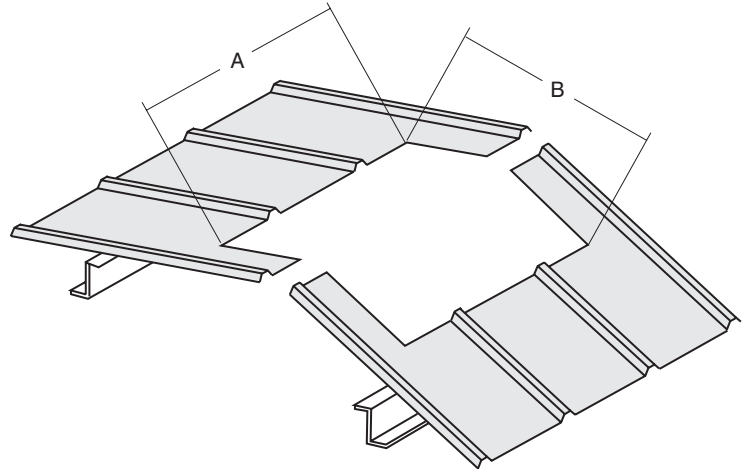
Panel Model:

PROJECT:
LOCATION:
SUBMITTED BY:
DATE:

CONTRACTOR:
ENGINEER:
APPROVED BY:
DATE:

Model RMB3-RM-C & RMB4-RM-C Installation Details

1. Mark centerline of roof opening on a fully sheeted roof.
2. Lay out roof opening to match the curb "A" & "B" dimensions using centerline of major rib as a guide.
3. Cut roof opening using normal metal building procedures.
4. Install structural support framing to support curb and equipment loads (keep inside dimension clear). At least two parallel curb walls should be supported. Keep cantilever sections under 12".
5. Apply closures and sealant tape (or mastic) between curb and roof panel. Apply to roof panel at curb side and downslope flange locations. Use only building manufacturer's approved accessories.
6. Position curb into place over opening of roof panel.
7. Using fasteners to suit roof system, fasten curb to support structure through curb flange and roof panel. Fasteners to be located approximately 4" on center with a minimum of four fasteners per side.
8. Check installation to verify secure attachment and weather sealing. Caulk perimeter edge of curb flanges at roof panel.



ROMLA VENTILATOR COMPANY, INC.

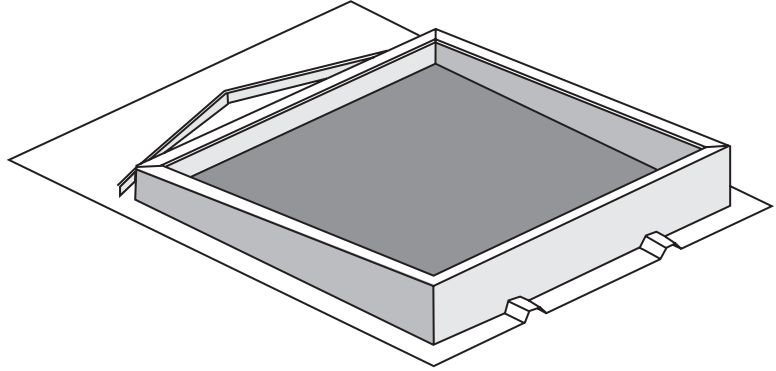
9668-D Heinrich Hertz Drive, San Diego, California 92154 Ph (619) 946-1224 Fax (619) 946-1227



**Type RMB5
Metal Building Roof Curb**

Specifications:

- 18 Gauge Aluminized Steel
- 6" Curb Height at Upslope
- 1-1/2" Wide Top Flanges
- All Welded Construction
- Upslope Flat Flange with a Water Diverter
- Downslope w/"Over" Contours
- 1-1/2" Thick, 3 lb. Insulation



Options:

- 16 Ga. Aluminized Steel
- 14 Ga. Aluminized Steel
- .080 Aluminum

Air Dry Enamel Finish

- White
- Custom Color

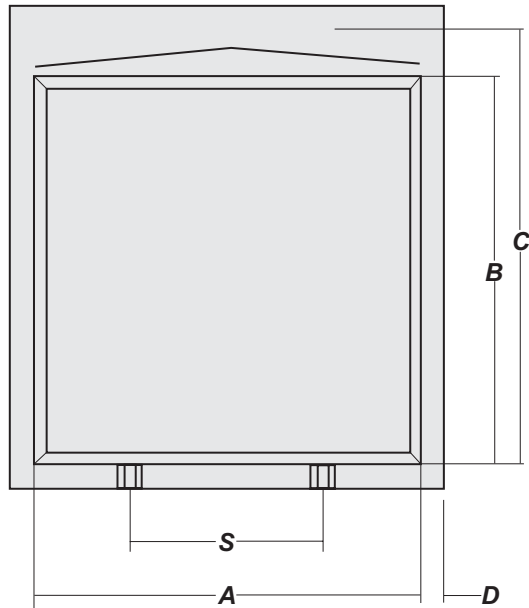
- Special Height
- Damper Shelf/Duct Supports
- Inside or Outside Insulation Liner
- Special Rib Placement

Wide Flanges

- Upslope
- Side
- Downslope
- Top Cover
- Top Flange Broken Out
- Cricket in Lieu of Diverter
- Spliced Curb (2 Pieces)
- Sub Framing
- 2-1/2" Wide Mastic

Roof Panel Mfg: _____

Panel Model: _____



Curb Schedule

MARK	QTY	MODEL	A	B	S	PITCH	GA

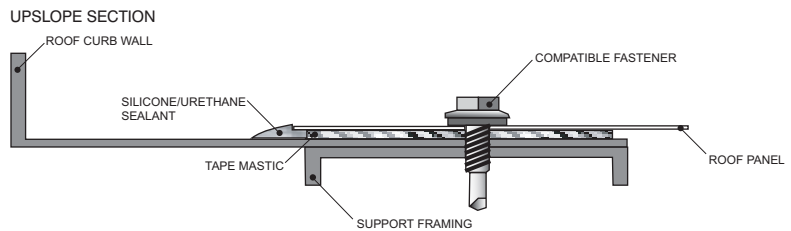
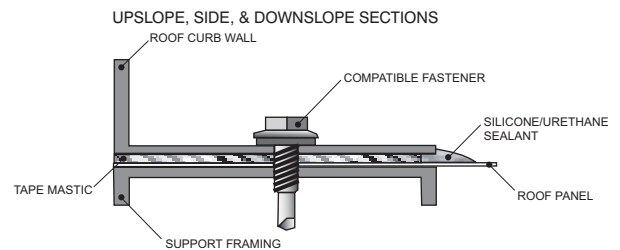
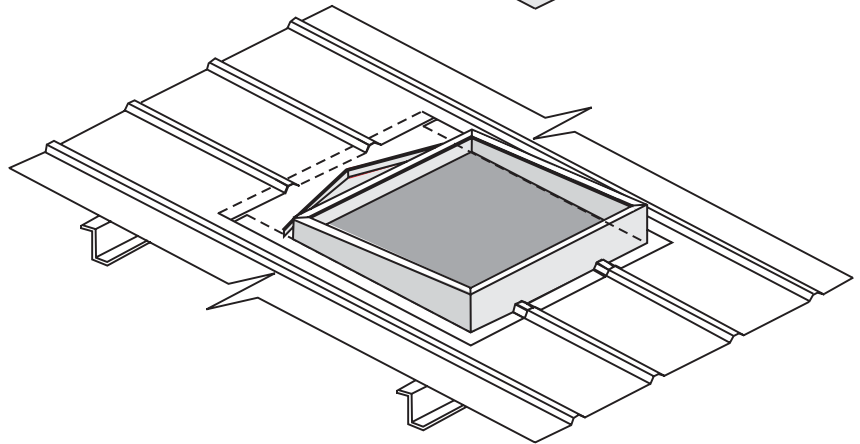
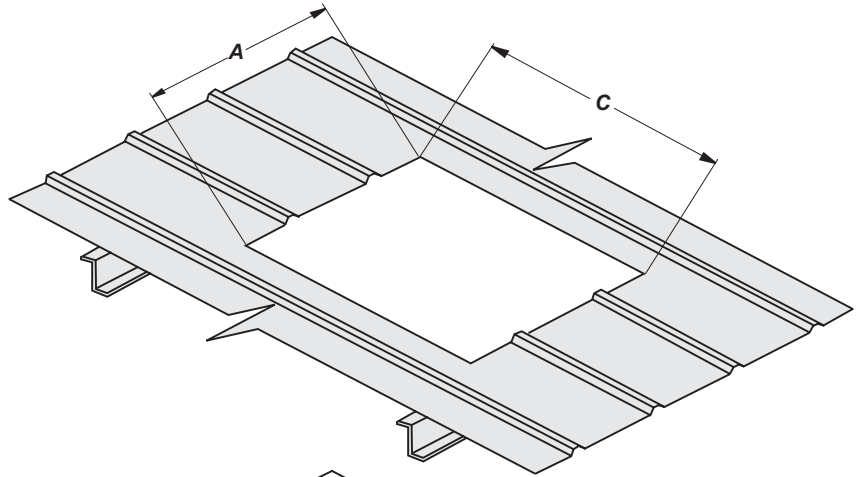
<p>PROJECT: LOCATION: SUBMITTED BY: DATE:</p>	<p>CONTRACTOR: ENGINEER: APPROVED BY: DATE:</p>
--	--

ROMLA VENTILATOR COMPANY, INC.

9668-D Heinrich Hertz Drive, San Diego, California 92154 Ph (619) 946-1224 Fax (619) 946-1227

Model RMB5 & RMB6 Installation Details

1. Mark centerline of roof opening on a fully sheeted roof.
2. Lay out roof opening to match the curb "A", "C" & "D" dimensions using centerline of major rib as a guide.
3. Cut roof opening using normal metal building procedures. Slit upslope edges of rough opening ("D") for side flange penetration at transition point.
4. Install structural support framing to support curb and equipment loads (keep inside dimension clear). At least two parallel curb walls should be supported. Keep cantilever sections under 12".
5. Apply closures and sealant tape (or mastic) between curb and roof panel. Apply to roof panel at curb side and downslope flange locations. Also apply to curb upslope flange. Use only building manufacturer's approved accessories.
6. Position curb into place over opening of roof panel. Upslope flange goes under roof panel. Side and downslope flanges go over roof panel.
7. Using fasteners to suit roof system, fasten curb to support structure through curb flange and roof panel. Fasteners to be located approximately 4" on center with a minimum of four fasteners per side.
8. Check installation to verify secure attachment and weather sealing. Caulk perimeter edge of curb flanges at roof panel.



ROMLA VENTILATOR COMPANY, INC.

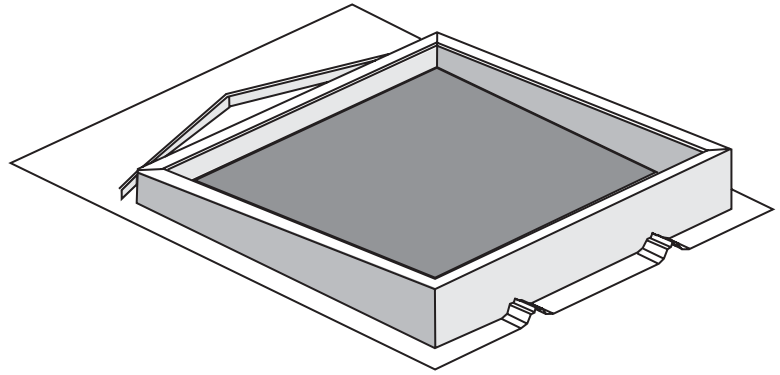
9668-D Heinrich Hertz Drive, San Diego, California 92154 Ph (619) 946-1224 Fax (619) 946-1227



**Type RMB5
Metal Building Roof Curb**

Specifications:

- 18 Gauge Aluminized Steel
- 6" Curb Height at Upslope
- 1-1/2" Wide Top Flanges
- All Welded Construction
- Upslope Flat Flange with a Water Diverter
- Downslope w/"Over" Contours
- 1-1/2" Thick, 3 lb. Insulation



Options:

- 16 Ga. Aluminized Steel
- 14 Ga. Aluminized Steel
- .080 Aluminum

Air Dry Enamel Finish

- White
- Custom Color

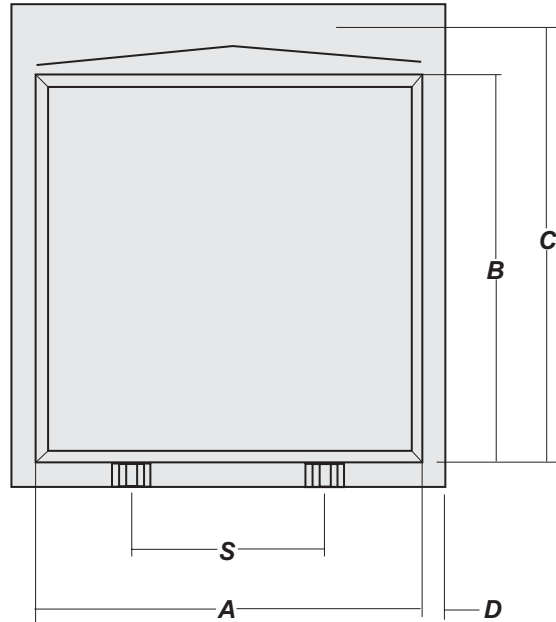
- Special Height
- Damper Shelf/Duct Supports
- Inside or Outside Insulation Liner
- Special Rib Placement

Wide Flanges

- Upslope
- Side
- Downslope
- Top Cover
- Top Flange Broken Out
- Cricket in Lieu of Diverter
- Spliced Curb (2 Pieces)
- Sub Framing
- 2-1/2" Wide Mastic

Roof Panel Mfg: _____

Panel Model: _____



Curb Schedule

MARK	QTY	MODEL	A	B	S	PITCH	GA

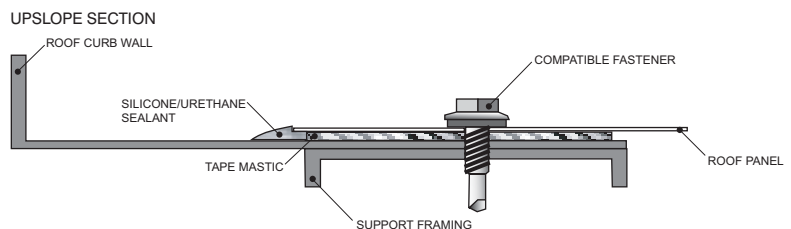
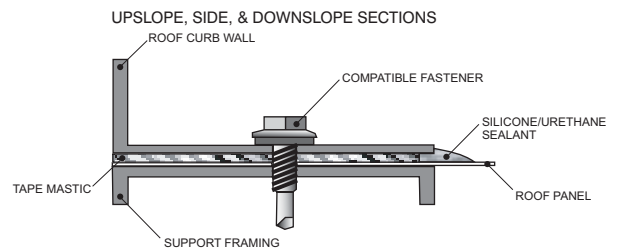
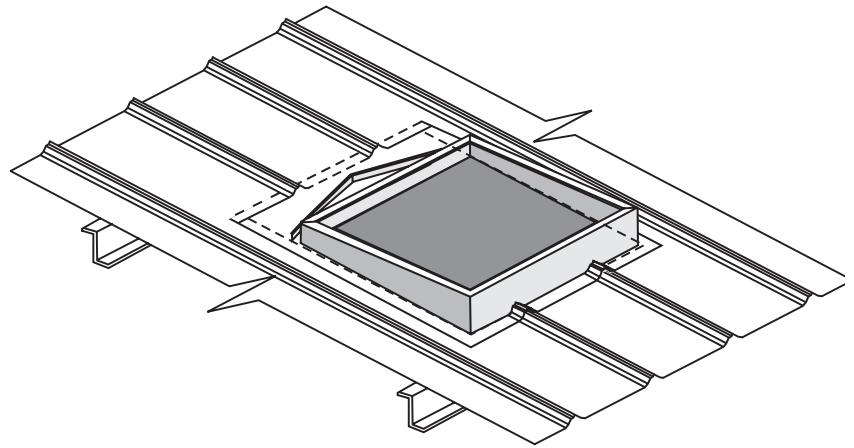
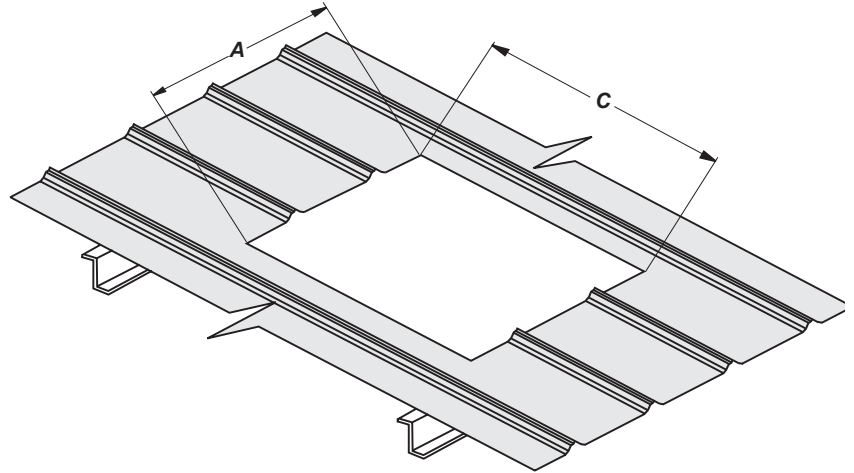
<p>PROJECT: LOCATION: SUBMITTED BY: DATE:</p>	<p>CONTRACTOR: ENGINEER: APPROVED BY: DATE:</p>
--	--

ROMLA VENTILATOR COMPANY, INC.

9668-D Heinrich Hertz Drive, San Diego, California 92154 Ph (619) 946-1224 Fax (619) 946-1227

Model RMB5 & RMB6 Installation Details

1. Mark centerline of roof opening on a fully sheeted roof.
2. Lay out roof opening to match the curb "A", "C" & "D" dimensions using centerline of major rib as a guide.
3. Cut roof opening using normal metal building procedures. Slit upslope edges of rough opening ("D") for side flange penetration at transition point.
4. Install structural support framing to support curb and equipment loads (keep inside dimension clear). At least two parallel curb walls should be supported. Keep cantilever sections under 12".
5. Apply closures and sealant tape (or mastic) between curb and roof panel. Apply to roof panel at curb side and downslope flange locations. Also apply to curb upslope flange. Use only building manufacturer's approved accessories.
6. Position curb into place over opening of roof panel. Upslope flange goes under roof panel. Side and downslope flanges go over roof panel.
7. Using fasteners to suit roof system, fasten curb to support structure through curb flange and roof panel. Fasteners to be located approximately 4" on center with a minimum of four fasteners per side.
8. Check installation to verify secure attachment and weather sealing. Caulk perimeter edge of curb flanges at roof panel.



ROMLA VENTILATOR COMPANY, INC.

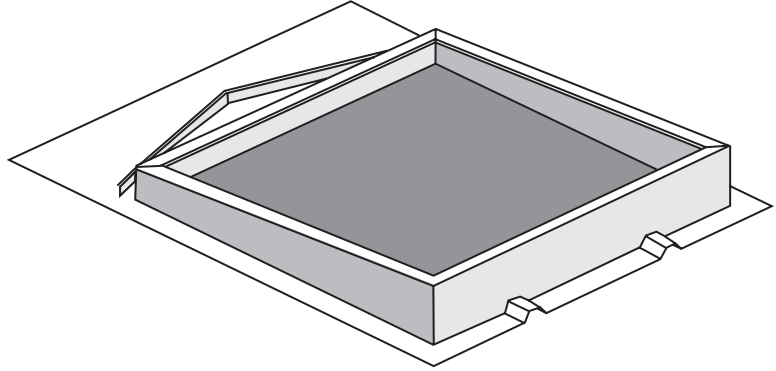
9668-D Heinrich Hertz Drive, San Diego, California 92154 Ph (619) 946-1224 Fax (619) 946-1227



**Type RMB6
Metal Building Roof Curb**

Specifications:

- 18 Gauge Aluminized Steel
- 6" Curb Height at Upslope
- 1-1/2" Wide Top Flanges
- All Welded Construction
- Upslope Flat Flange with a Water Diverter
- Downslope w/"Over" Contours



Options:

- 16 Ga. Aluminized Steel
- 14 Ga. Aluminized Steel
- .080 Aluminum

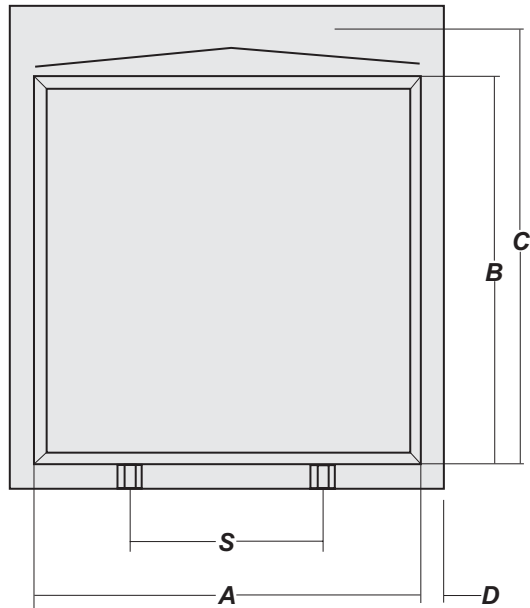
Air Dry Enamel Finish

- White
- Custom Color

- Special Height
- Damper Shelf/Duct Supports
- Special Rib Placement

Wide Flanges

- Upslope
- Side
- Downslope
- Top Cover
- Top Flange Broken Out
- Cricket in Lieu of Diverter
- Spliced Curb (2 Pieces)
- Sub Framing
- 2-1/2" Wide Mastic



Curb Schedule

MARK	QTY	MODEL	A	B	S	PITCH	GA

Roof Panel Mfg:

Panel Model:

<p>PROJECT: LOCATION: SUBMITTED BY: DATE:</p>	<p>CONTRACTOR: ENGINEER: APPROVED BY: DATE:</p>
---	---

ROMLA VENTILATOR COMPANY, INC.

9668-D Heinrich Hertz Drive, San Diego, California 92154 Ph (619) 946-1224 Fax (619) 946-1227

Model RMB5 & RMB6 Installation Details

1. Mark centerline of roof opening on a fully sheeted roof.

2. Lay out roof opening to match the curb "A", "C" & "D" dimensions using centerline of major rib as a guide.

3. Cut roof opening using normal metal building procedures. Slit upslope edges of rough opening ("D") for side flange penetration at transition point.

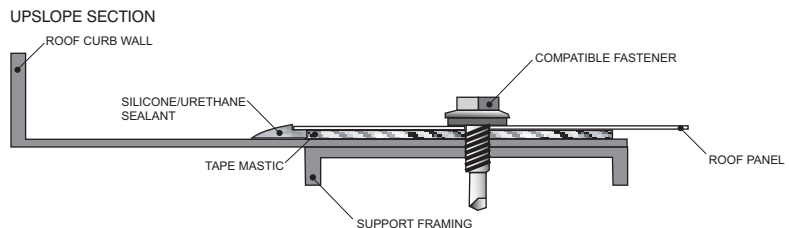
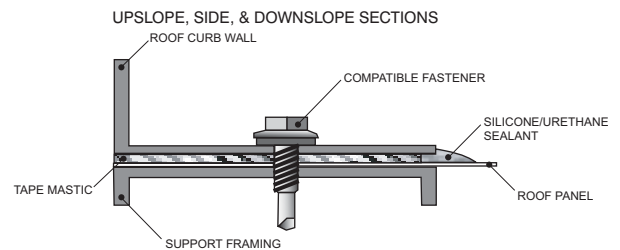
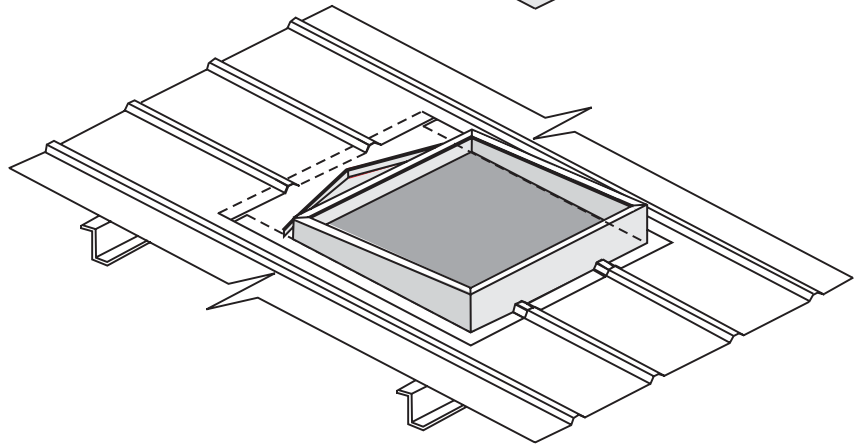
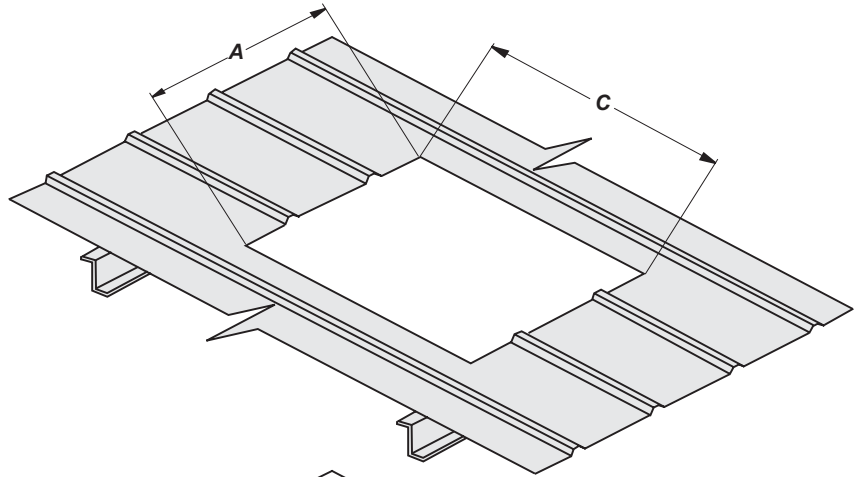
4. Install structural support framing to support curb and equipment loads (keep inside dimension clear). At least two parallel curb walls should be supported. Keep cantilever sections under 12".

5. Apply closures and sealant tape (or mastic) between curb and roof panel. Apply to roof panel at curb side and downslope flange locations. Also apply to curb upslope flange. Use only building manufacturer's approved accessories.

6. Position curb into place over opening of roof panel. Upslope flange goes under roof panel. Side and downslope flanges go over roof panel.

7. Using fasteners to suit roof system, fasten curb to support structure through curb flange and roof panel. Fasteners to be located approximately 4" on center with a minimum of four fasteners per side.

8. Check installation to verify secure attachment and weather sealing. Caulk perimeter edge of curb flanges at roof panel.



ROMLA VENTILATOR COMPANY, INC.

9668-D Heinrich Hertz Drive, San Diego, California 92154 Ph (619) 946-1224 Fax (619) 946-1227



**Type RMB6
Metal Building Roof Curb**

Specifications:

- 18 Gauge Aluminized Steel
- 6" Curb Height at Upslope
- 1-1/2" Wide Top Flanges
- All Welded Construction
- Upslope Flat Flange with a Water Diverter
- Downslope w/"Over" Contours

Options:

- 16 Ga. Aluminized Steel
- 14 Ga. Aluminized Steel
- .080 Aluminum

Air Dry Enamel Finish

- White
- Custom Color

Special Height

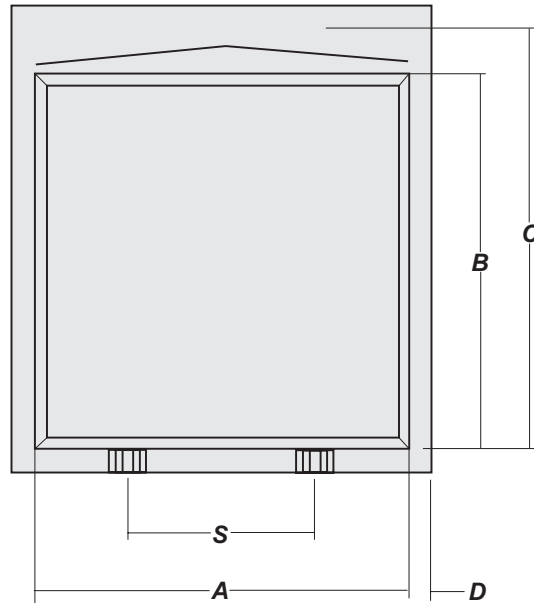
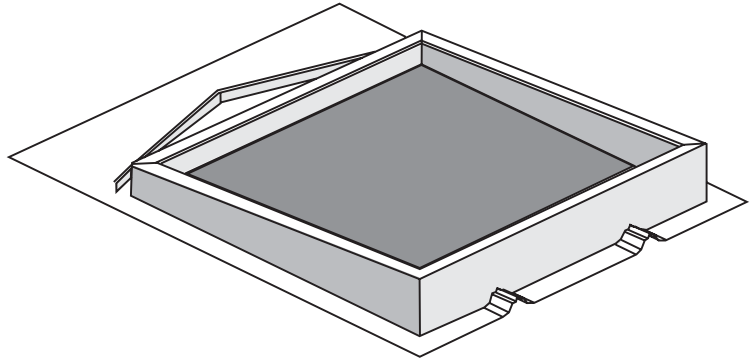
- Damper Shelf/Duct Supports
- Special Rib Placement

Wide Flanges

- Upslope
- Side
- Downslope
- Top Cover
- Top Flange Broken Out
- Cricket in Lieu of Diverter
- Spliced Curb (2 Pieces)
- Sub Framing
- 2-1/2" Wide Mastic

Roof Panel Mfg:

Panel Model:



Curb Schedule

MARK	QTY	MODEL	A	B	S	PITCH	GA

<p>PROJECT: LOCATION: SUBMITTED BY: DATE:</p>	<p>CONTRACTOR: ENGINEER: APPROVED BY: DATE:</p>
--	--

ROMLA VENTILATOR COMPANY, INC.

9668-D Heinrich Hertz Drive, San Diego, California 92154 Ph (619) 946-1224 Fax (619) 946-1227

Model RMB5 & RMB6 Installation Details

1. Mark centerline of roof opening on a fully sheeted roof.

2. Lay out roof opening to match the curb "A", "C" & "D" dimensions using centerline of major rib as a guide.

3. Cut roof opening using normal metal building procedures. Slit upslope edges of rough opening ("D") for side flange penetration at transition point.

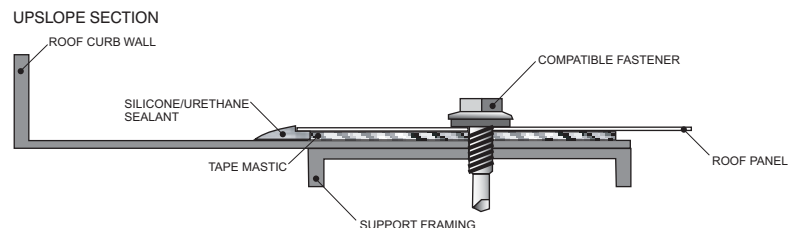
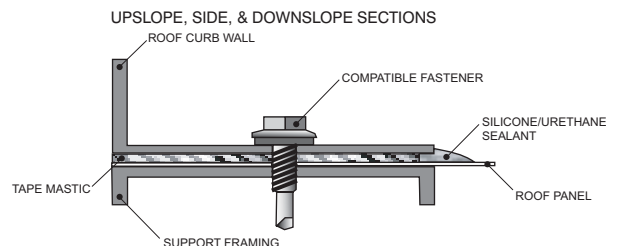
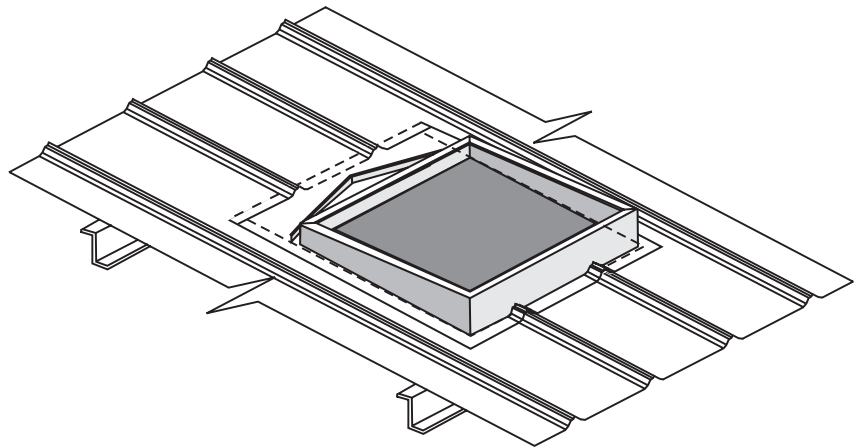
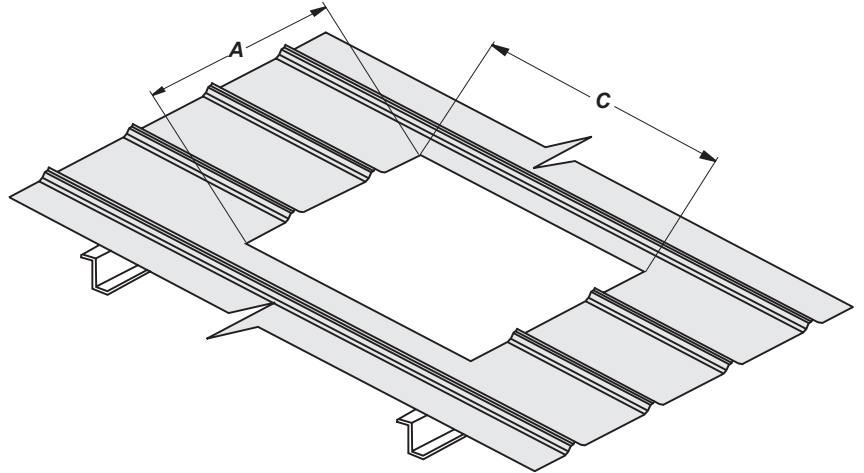
4. Install structural support framing to support curb and equipment loads (keep inside dimension clear). At least two parallel curb walls should be supported. Keep cantilever sections under 12".

5. Apply closures and sealant tape (or mastic) between curb and roof panel. Apply to roof panel at curb side and downslope flange locations. Also apply to curb upslope flange. Use only building manufacturer's approved accessories.

6. Position curb into place over opening of roof panel. Upslope flange goes under roof panel. Side and downslope flanges go over roof panel.

7. Using fasteners to suit roof system, fasten curb to support structure through curb flange and roof panel. Fasteners to be located approximately 4" on center with a minimum of four fasteners per side.

8. Check installation to verify secure attachment and weather sealing. Caulk perimeter edge of curb flanges at roof panel.



ROMLA VENTILATOR COMPANY, INC.

9668-D Heinrich Hertz Drive, San Diego, California 92154 Ph (619) 946-1224 Fax (619) 946-1227



**Model RMB7
Metal Building Roof Curb**

Specifications:

- 18 Gauge Aluminized Steel
- 6" Curb Height at Upslope
- 1-1/2" Wide Top Flanges
- All Welded Construction
- Upslope Flange with "Under" Contours and a Water Diverter
- Downslope w/"Over" Contours
- 1-1/2" Thick, 3 lb. Insulation

Options:

- 16 Ga. Aluminized Steel
- 14 Ga. Aluminized Steel
- .080 Aluminum

Air Dry Enamel Finish

- White
- Custom Color

Special Height

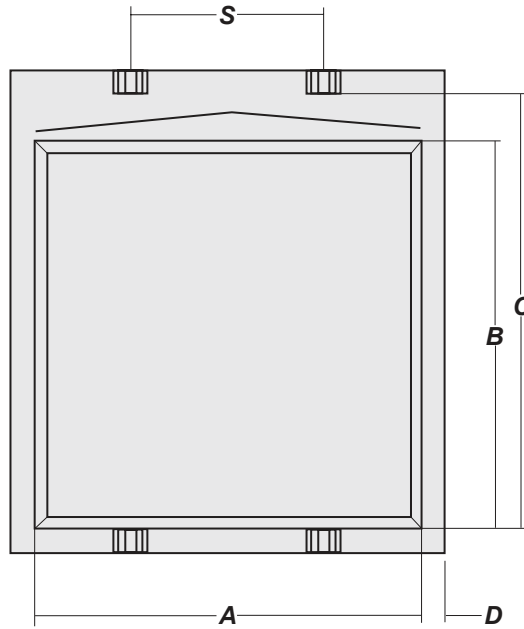
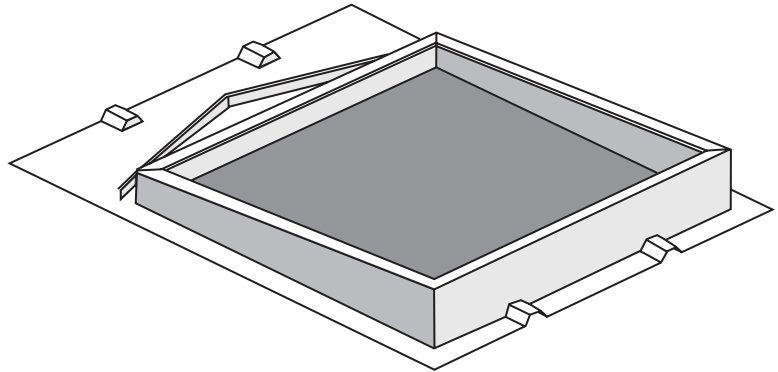
- Damper Shelf/Duct Supports
- Inside or Outside Insulation Liner
- Special Rib Placement

Wide Flanges

- Upslope
- Side
- Downslope
- Top Cover
- Top Flange Broken Out
- Cricket in Lieu of Diverter
- Spliced Curb (2 Pieces)
- Sub Framing
- 2-1/2" Wide Mastic

Roof Panel Mfg: _____

Panel Model: _____



Curb Schedule

MARK	QTY	MODEL	A	B	S	PITCH	GA

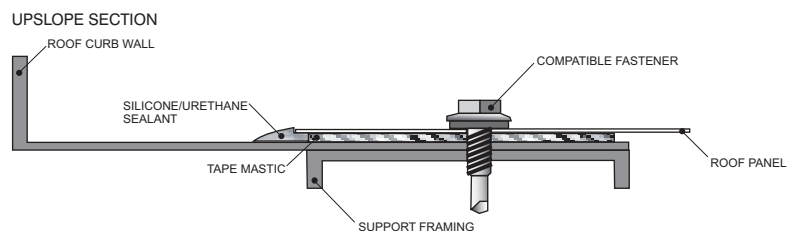
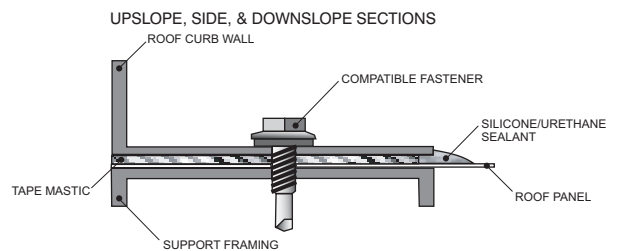
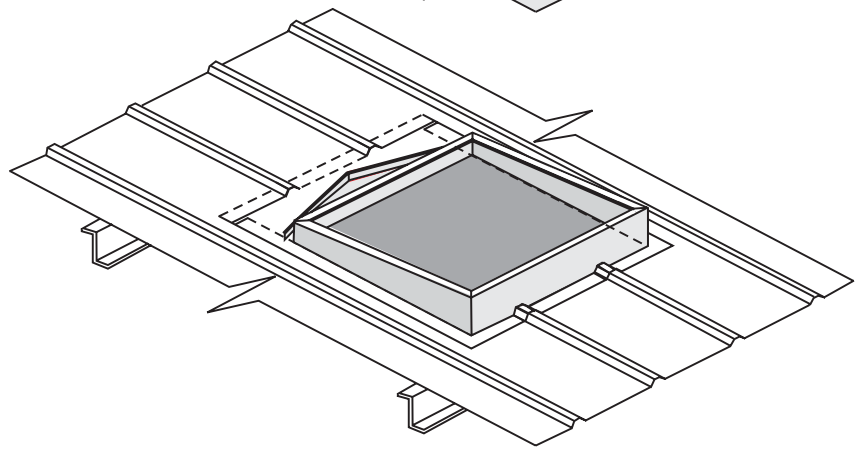
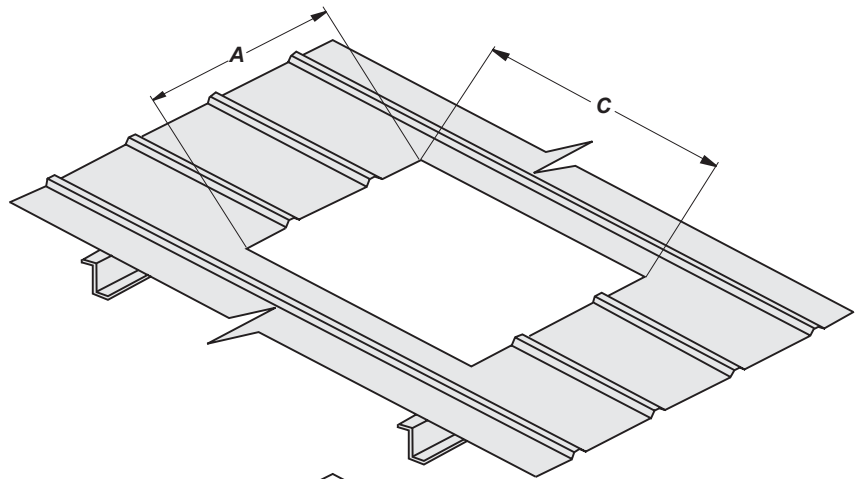
<p>PROJECT: LOCATION: SUBMITTED BY: DATE:</p>	<p>CONTRACTOR: ENGINEER: APPROVED BY: DATE:</p>
--	--

ROMLA VENTILATOR COMPANY, INC.

9668-D Heinrich Hertz Drive, San Diego, California 92154 Ph (619) 946-1224 Fax (619) 946-1227

Model RMB7 & RMB8 Installation Details

1. Mark centerline of roof opening on a fully sheeted roof.
2. Lay out roof opening to match the curb "A", "C" & "D" dimensions using centerline of major rib as a guide.
3. Cut roof opening using normal metal building procedures. Slit upslope edges of rough opening ("D") for side flange penetration at transition point.
4. Install structural support framing to support curb and equipment loads (keep inside dimension clear). At least two parallel curb walls should be supported. Keep cantilever sections under 12".
5. Apply sealant tape or mastic between curb and roof panel. Apply to roof panel at curb side and downslope flange locations. Also apply to curb upslope flange. Use only building manufacturer's approved accessories.
6. Position curb into place over opening of roof panel. Upslope flange goes under roof panel. Side and downslope flanges go over roof panel.
7. Using fasteners to suit roof system, fasten curb to support structure through curb flange and roof panel. Fasteners to be located approximately 4" on center with a minimum of four fasteners per side.
8. Check installation to verify secure attachment and weather sealing. Caulk perimeter edge of curb flanges at roof panel.



ROMLA VENTILATOR COMPANY, INC.

9668-D Heinrich Hertz Drive, San Diego, California 92154 Ph (619) 946-1224 Fax (619) 946-1227



Model RMB7-C Metal Building Roof Curb

Specifications:

- 18 Gauge Aluminized Steel
- 6" Curb Height at Upslope
- 3" High Collar Flanges
- 1-1/2" Wide Top Flanges
- All Welded Construction
- Upslope Flange with "Under" Contours and a Water Diverter
- Downslope w/"Over" Contours
- 1-1/2" Thick, 3 lb. Insulation

Options:

- ___ 16 Ga. Aluminized Steel
- ___ 14 Ga. Aluminized Steel
- ___ .080 Aluminum

Air Dry Enamel Finish

- ___ White
- ___ Custom Color

___ Special Height

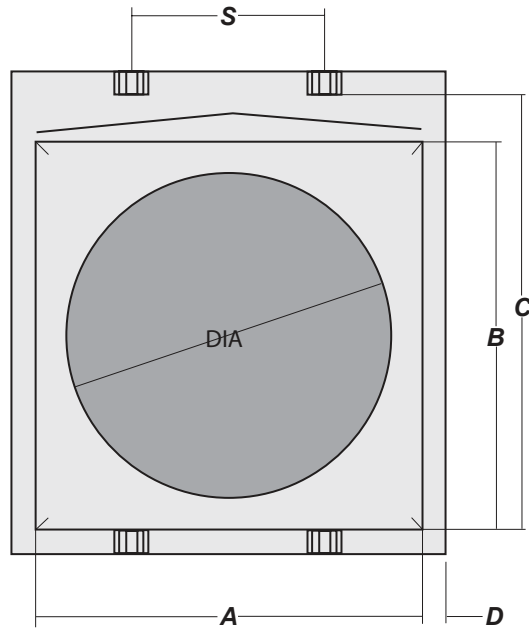
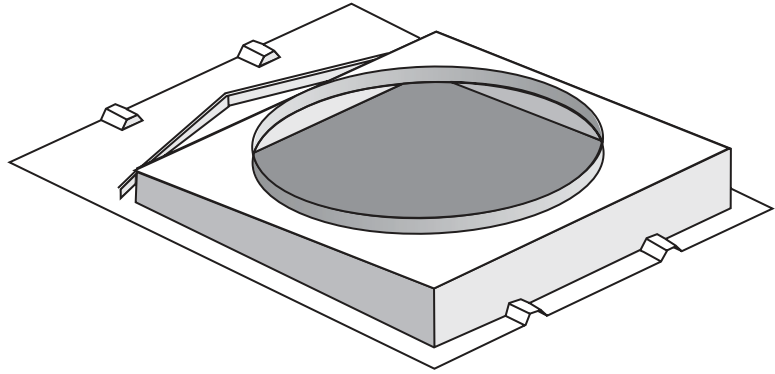
- ___ Damper Shelf/Duct Supports
- ___ Inside Insulation Liner
- ___ Special Rib Placement

Wide Flanges

- ___ Upslope
- ___ Side
- ___ Downslope
- ___ Top Cover
- ___ Top Flange Broken Out
- ___ Cricket in Lieu of Diverter
- ___ Spliced Curb (2 Pieces)
- ___ Sub Framing
- ___ 2-1/2" Wide Mastic

Roof Panel Mfg: _____

Panel Model: _____



Curb Schedule

MARK	QTY	MODEL	A	B	S	PITCH	GA

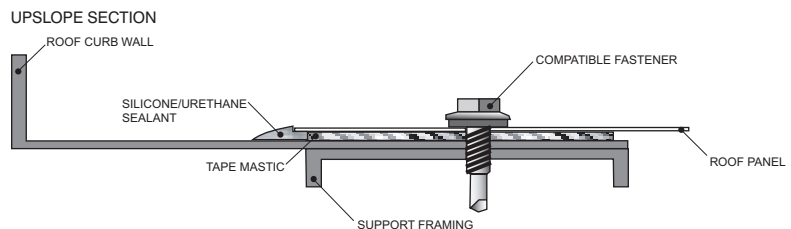
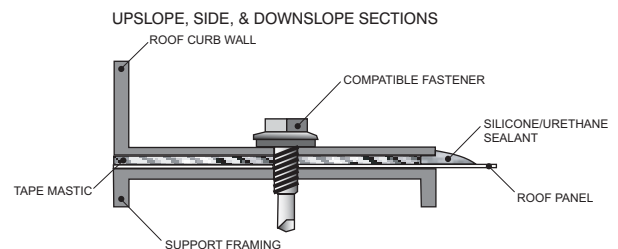
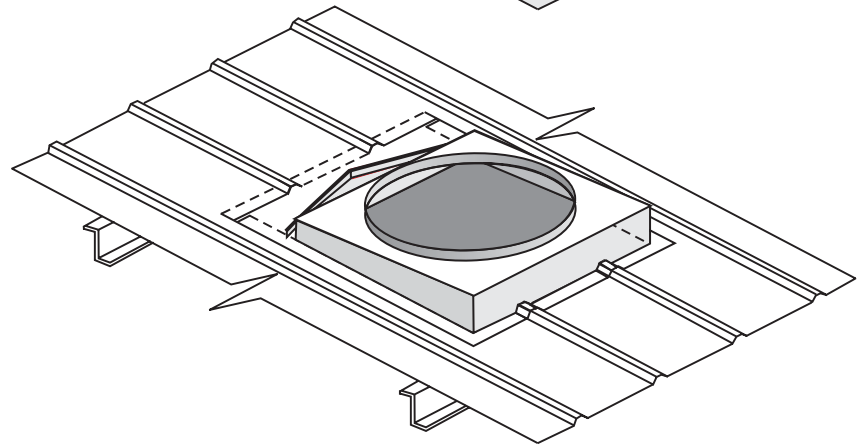
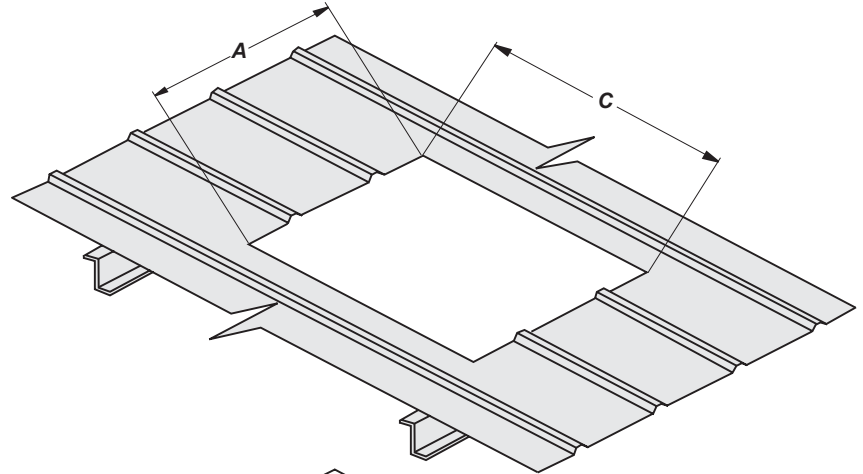
<p>PROJECT: LOCATION: SUBMITTED BY: DATE:</p>	<p>CONTRACTOR: ENGINEER: APPROVED BY: DATE:</p>
--	--

ROMLA VENTILATOR COMPANY, INC.

9668-D Heinrich Hertz Drive, San Diego, California 92154 Ph (619) 946-1224 Fax (619) 946-1227

Model RMB7-C & RMB8-C Installation Details

1. Mark centerline of roof opening on a fully sheeted roof.
2. Lay out roof opening to match the curb "A", "C" & "D" dimensions using centerline of major rib as a guide.
3. Cut roof opening using normal metal building procedures. Slit upslope edges of rough opening ("D") for side flange penetration at transition point.
4. Install structural support framing to support curb and equipment loads (keep inside dimension clear). At least two parallel curb walls should be supported. Keep cantilever sections under 12".
5. Apply sealant tape or mastic between curb and roof panel. Apply to roof panel at curb side and downslope flange locations. Also apply to curb upslope flange. Use only building manufacturer's approved accessories.
6. Position curb into place over opening of roof panel. Upslope flange goes under roof panel. Side and downslope flanges go over roof panel.
7. Using fasteners to suit roof system, fasten curb to support structure through curb flange and roof panel. Fasteners to be located approximately 4" on center with a minimum of four fasteners per side.
8. Check installation to verify secure attachment and weather sealing. Caulk perimeter edge of curb flanges at roof panel.



ROMLA VENTILATOR COMPANY, INC.

9668-D Heinrich Hertz Drive, San Diego, California 92154 Ph (619) 946-1224 Fax (619) 946-1227



Model RMB7-C Metal Building Roof Curb

Specifications:

- 18 Gauge Aluminized Steel
- 6" Curb Height at Upslope
- 3" High Collar Flanges
- 1-1/2" Wide Top Flanges
- All Welded Construction
- Upslope Flange with "Under" Contours and a Water Diverter
- Downslope w/"Over" Contours
- 1-1/2" Thick, 3 lb. Insulation

Options:

- ___ 16 Ga. Aluminized Steel
- ___ 14 Ga. Aluminized Steel
- ___ .080 Aluminum

Air Dry Enamel Finish

- ___ White
- ___ Custom Color

___ Special Height

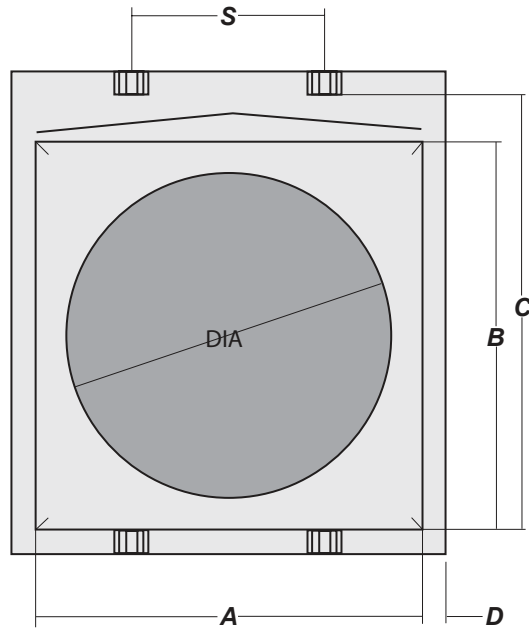
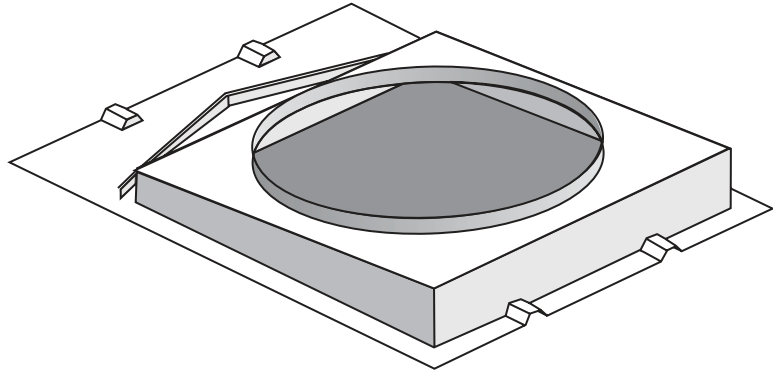
- ___ Damper Shelf/Duct Supports
- ___ Inside Insulation Liner
- ___ Special Rib Placement

Wide Flanges

- ___ Upslope
- ___ Side
- ___ Downslope
- ___ Top Cover
- ___ Top Flange Broken Out
- ___ Cricket in Lieu of Diverter
- ___ Spliced Curb (2 Pieces)
- ___ Sub Framing
- ___ 2-1/2" Wide Mastic

Roof Panel Mfg: _____

Panel Model: _____



Curb Schedule

MARK	QTY	MODEL	A	B	S	PITCH	GA

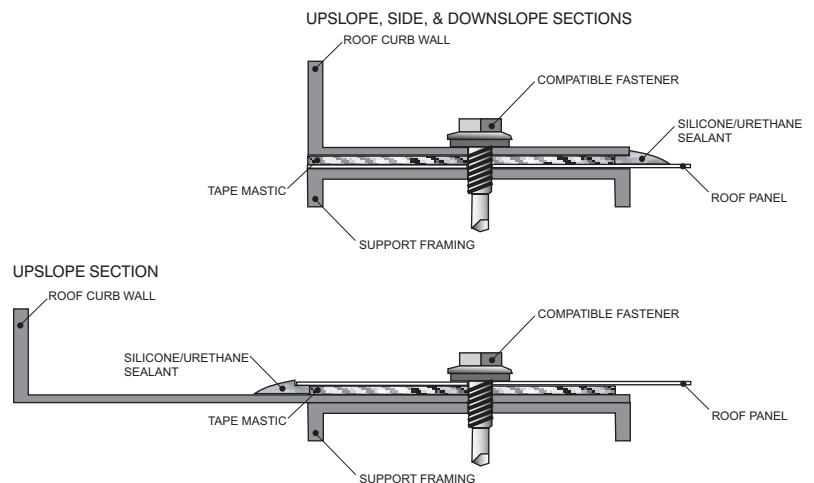
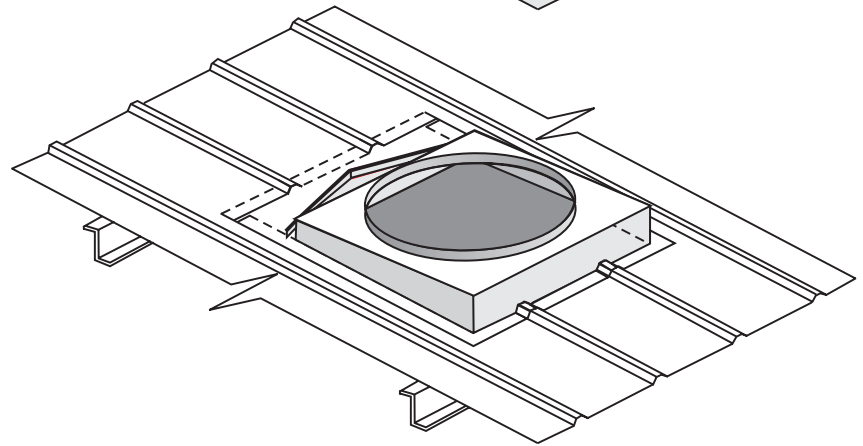
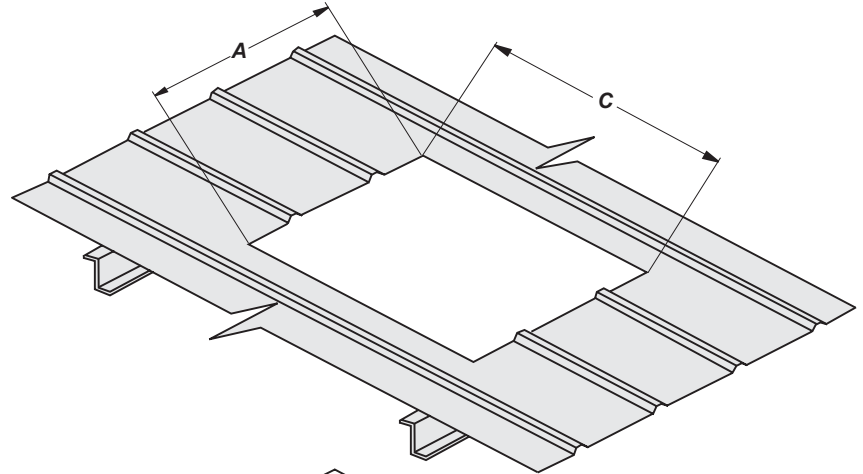
<p>PROJECT: LOCATION: SUBMITTED BY: DATE:</p>	<p>CONTRACTOR: ENGINEER: APPROVED BY: DATE:</p>
--	--

ROMLA VENTILATOR COMPANY, INC.

9668-D Heinrich Hertz Drive, San Diego, California 92154 Ph (619) 946-1224 Fax (619) 946-1227

Model RMB7-C & RMB8-C Installation Details

1. Mark centerline of roof opening on a fully sheeted roof.
2. Lay out roof opening to match the curb "A", "C" & "D" dimensions using centerline of major rib as a guide.
3. Cut roof opening using normal metal building procedures. Slit upslope edges of rough opening ("D") for side flange penetration at transition point.
4. Install structural support framing to support curb and equipment loads (keep inside dimension clear). At least two parallel curb walls should be supported. Keep cantilever sections under 12".
5. Apply sealant tape or mastic between curb and roof panel. Apply to roof panel at curb side and downslope flange locations. Also apply to curb upslope flange. Use only building manufacturer's approved accessories.
6. Position curb into place over opening of roof panel. Upslope flange goes under roof panel. Side and downslope flanges go over roof panel.
7. Using fasteners to suit roof system, fasten curb to support structure through curb flange and roof panel. Fasteners to be located approximately 4" on center with a minimum of four fasteners per side.
8. Check installation to verify secure attachment and weather sealing. Caulk perimeter edge of curb flanges at roof panel.



ROMLA VENTILATOR COMPANY, INC.

9668-D Heinrich Hertz Drive, San Diego, California 92154 Ph (619) 946-1224 Fax (619) 946-1227



**Model RMB7
Metal Building Roof Curb**

Specifications:

- 18 Gauge Aluminized Steel
- 6" Curb Height at Upslope
- 1-1/2" Wide Top Flanges
- All Welded Construction
- Upslope Flange with "Under" Contours and a Water Diverter
- Downslope w/"Over" Contours
- 1-1/2" Thick, 3 lb. Insulation

Options:

- 16 Ga. Aluminized Steel
- 14 Ga. Aluminized Steel
- .080 Aluminum

Air Dry Enamel Finish

- White
- Custom Color

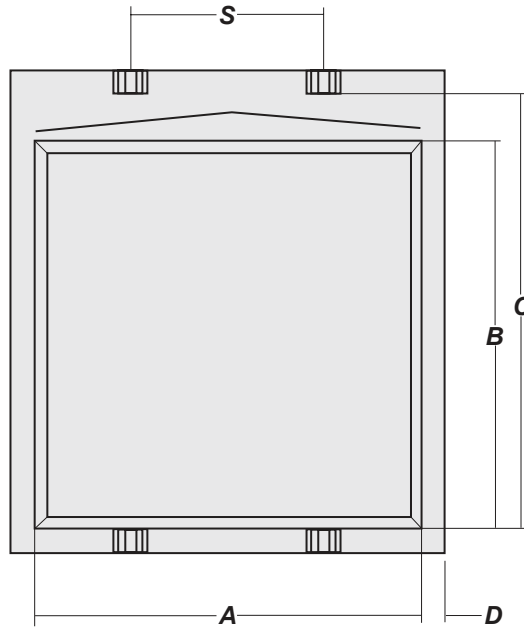
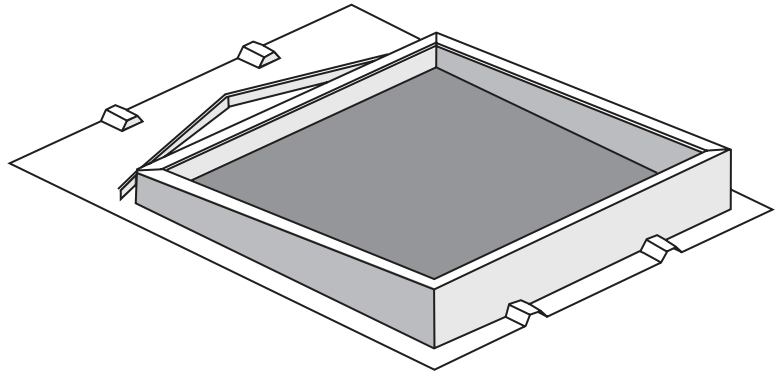
- Special Height
- Damper Shelf/Duct Supports
- Inside or Outside Insulation Liner
- Special Rib Placement

Wide Flanges

- Upslope
- Side
- Downslope
- Top Cover
- Top Flange Broken Out
- Cricket in Lieu of Diverter
- Spliced Curb (2 Pieces)
- Sub Framing
- 2-1/2" Wide Mastic

Roof Panel Mfg: _____

Panel Model: _____



Curb Schedule

MARK	QTY	MODEL	A	B	S	PITCH	GA

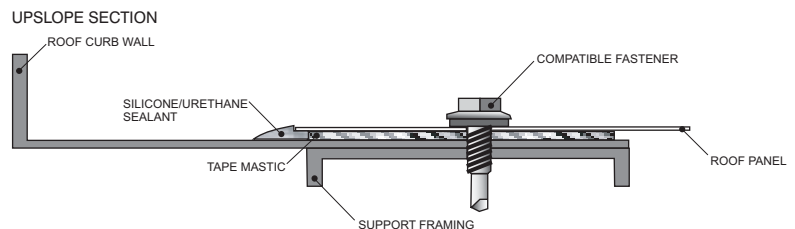
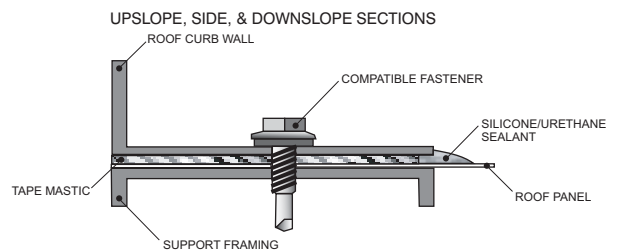
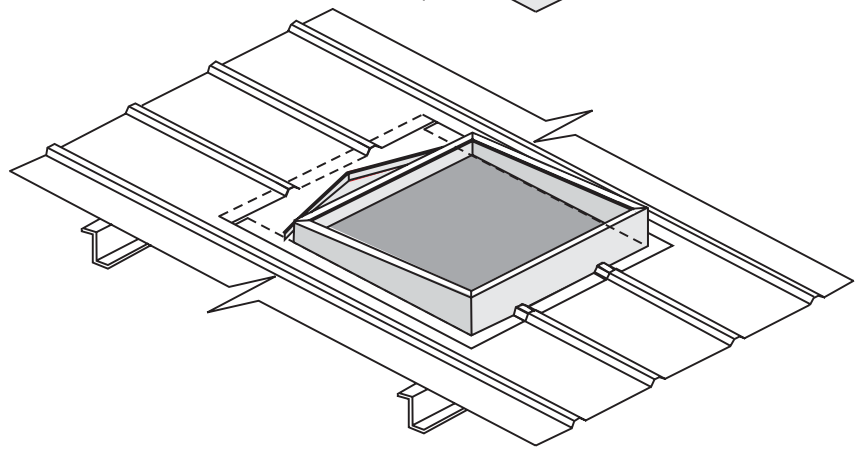
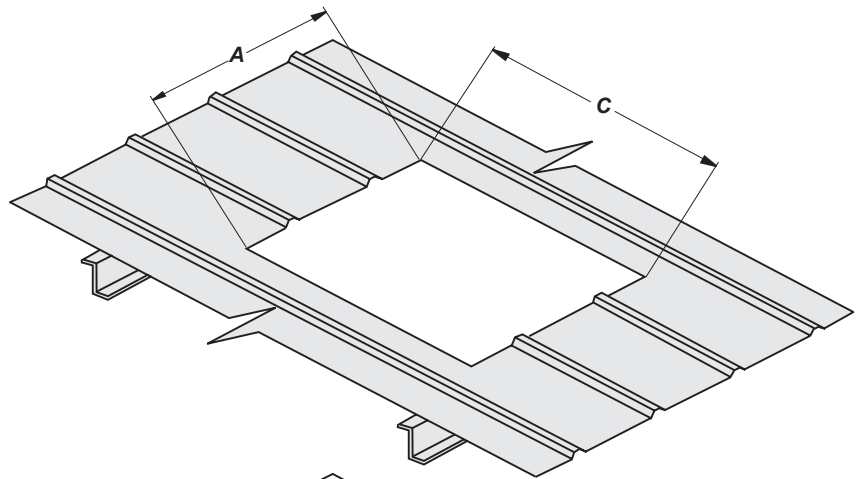
<p>PROJECT: LOCATION: SUBMITTED BY: DATE:</p>	<p>CONTRACTOR: ENGINEER: APPROVED BY: DATE:</p>
--	--

ROMLA VENTILATOR COMPANY, INC.

9668-D Heinrich Hertz Drive, San Diego, California 92154 Ph (619) 946-1224 Fax (619) 946-1227

Model RMB7 & RMB8 Installation Details

1. Mark centerline of roof opening on a fully sheeted roof.
2. Lay out roof opening to match the curb "A", "C" & "D" dimensions using centerline of major rib as a guide.
3. Cut roof opening using normal metal building procedures. Slit upslope edges of rough opening ("D") for side flange penetration at transition point.
4. Install structural support framing to support curb and equipment loads (keep inside dimension clear). At least two parallel curb walls should be supported. Keep cantilever sections under 12".
5. Apply sealant tape or mastic between curb and roof panel. Apply to roof panel at curb side and downslope flange locations. Also apply to curb upslope flange. Use only building manufacturer's approved accessories.
6. Position curb into place over opening of roof panel. Upslope flange goes under roof panel. Side and downslope flanges go over roof panel.
7. Using fasteners to suit roof system, fasten curb to support structure through curb flange and roof panel. Fasteners to be located approximately 4" on center with a minimum of four fasteners per side.
8. Check installation to verify secure attachment and weather sealing. Caulk perimeter edge of curb flanges at roof panel.



ROMLA VENTILATOR COMPANY, INC.

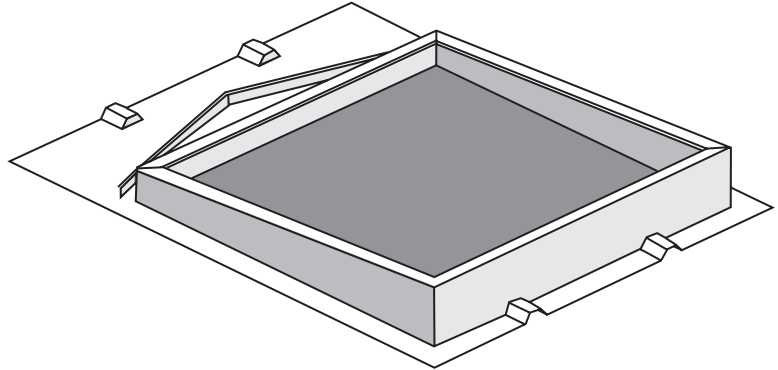
9668-D Heinrich Hertz Drive, San Diego, California 92154 Ph (619) 946-1224 Fax (619) 946-1227



**Model RMB8
Metal Building Roof Curb**

Specifications:

- 18 Gauge Aluminized Steel
- 6" Curb Height at Upslope
- 1-1/2" Wide Top Flanges
- All Welded Construction
- Upslope Flange with "Under" Contours and a Water Diverter
- Downslope w/"Over" Contours



Options:

- 16 Ga. Aluminized Steel
- 14 Ga. Aluminized Steel
- .080 Aluminum

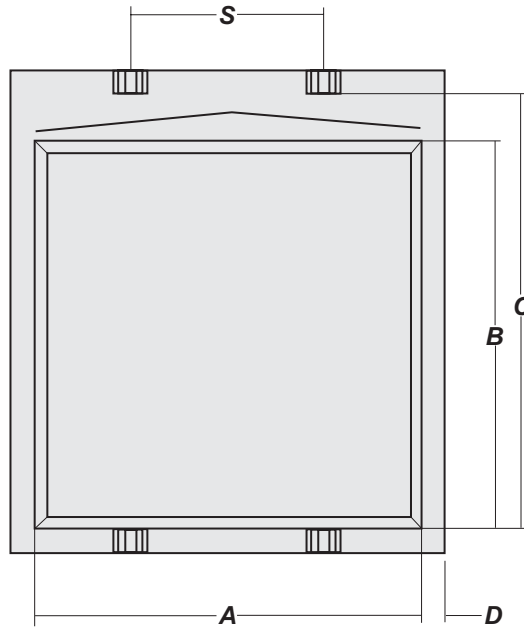
Air Dry Enamel Finish

- White
- Custom Color

- Special Height
- Damper Shelf/Duct Supports
- Special Rib Placement

Wide Flanges

- Upslope
- Side
- Downslope
- Top Cover
- Top Flange Broken Out
- Cricket in Lieu of Diverter
- Spliced Curb (2 Pieces)
- Sub Framing
- 2-1/2" Wide Mastic



Curb Schedule

MARK	QTY	MODEL	A	B	S	PITCH	GA

Roof Panel Mfg:

Panel Model:

<p>PROJECT: LOCATION: SUBMITTED BY: DATE:</p>	<p>CONTRACTOR: ENGINEER: APPROVED BY: DATE:</p>
---	---

ROMLA VENTILATOR COMPANY, INC.

9668-D Heinrich Hertz Drive, San Diego, California 92154 Ph (619) 946-1224 Fax (619) 946-1227

Model RMB7 & RMB8 Installation Details

1. Mark centerline of roof opening on a fully sheeted roof.

2. Lay out roof opening to match the curb "A", "C" & "D" dimensions using centerline of major rib as a guide.

3. Cut roof opening using normal metal building procedures. Slit upslope edges of rough opening ("D") for side flange penetration at transition point.

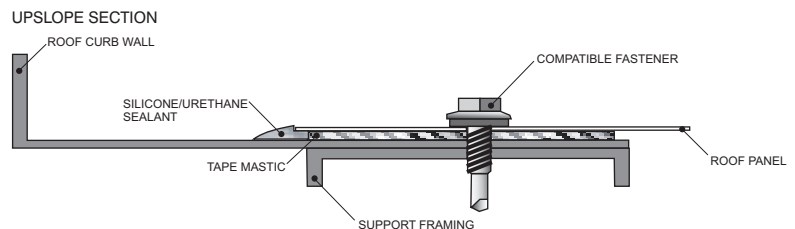
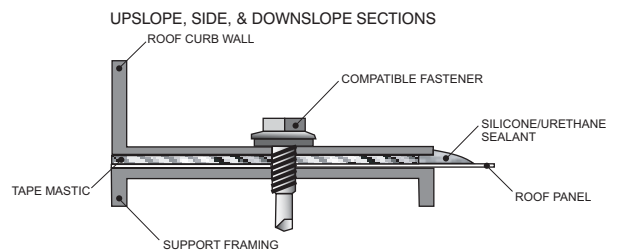
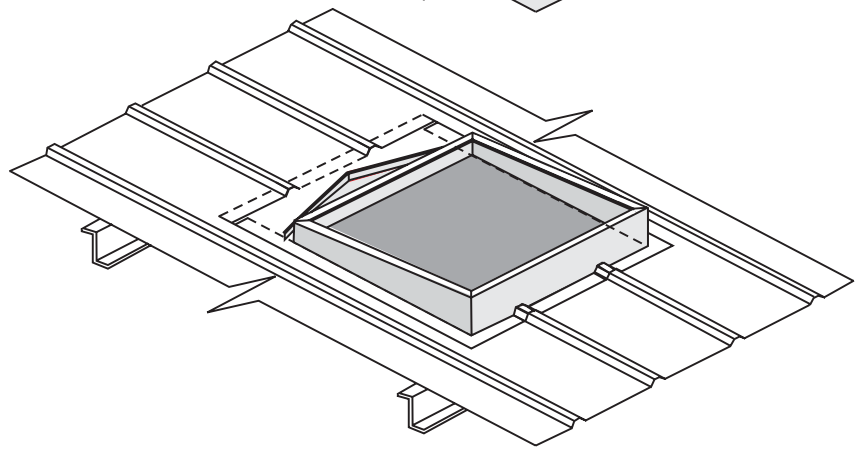
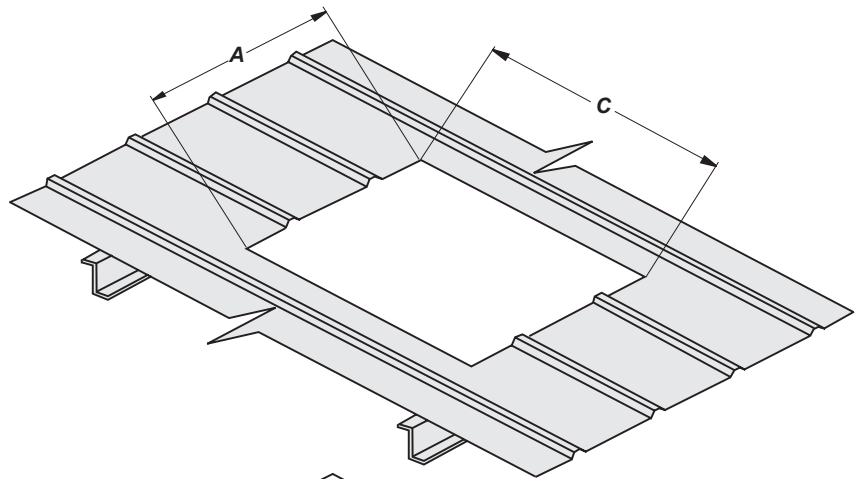
4. Install structural support framing to support curb and equipment loads (keep inside dimension clear). At least two parallel curb walls should be supported. Keep cantilever sections under 12".

5. Apply sealant tape or mastic between curb and roof panel. Apply to roof panel at curb side and downslope flange locations. Also apply to curb upslope flange. Use only building manufacturer's approved accessories.

6. Position curb into place over opening of roof panel. Upslope flange goes under roof panel. Side and downslope flanges go over roof panel.

7. Using fasteners to suit roof system, fasten curb to support structure through curb flange and roof panel. Fasteners to be located approximately 4" on center with a minimum of four fasteners per side.

8. Check installation to verify secure attachment and weather sealing. Caulk perimeter edge of curb flanges at roof panel.



ROMLA VENTILATOR COMPANY, INC.

9668-D Heinrich Hertz Drive, San Diego, California 92154 Ph (619) 946-1224 Fax (619) 946-1227



**Model RMB8-C
Metal Building Roof Curb**

Specifications:

- 18 Gauge Aluminized Steel
- 6" Curb Height at Upslope
- 3" High Collar Flanges
- 1-1/2" Wide Top Flanges
- All Welded Construction
- Upslope Flange with "Under" Contours and a Water Diverter
- Downslope w/"Over" Contours

Options:

- ___ 16 Ga. Aluminized Steel
- ___ 14 Ga. Aluminized Steel
- ___ .080 Aluminum

Air Dry Enamel Finish

- ___ White
- ___ Custom Color

___ Special Height

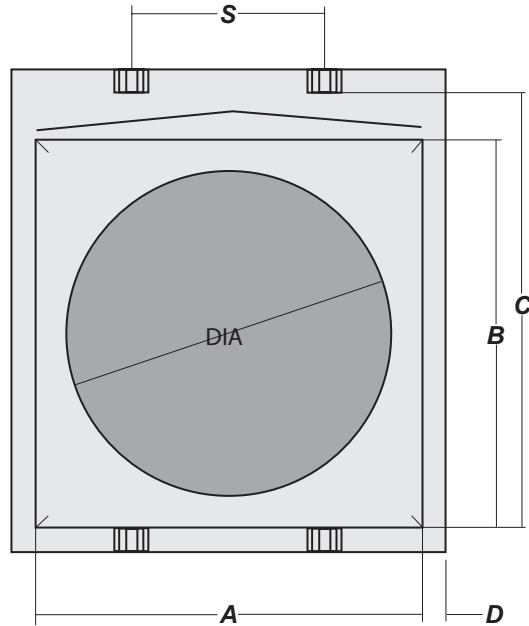
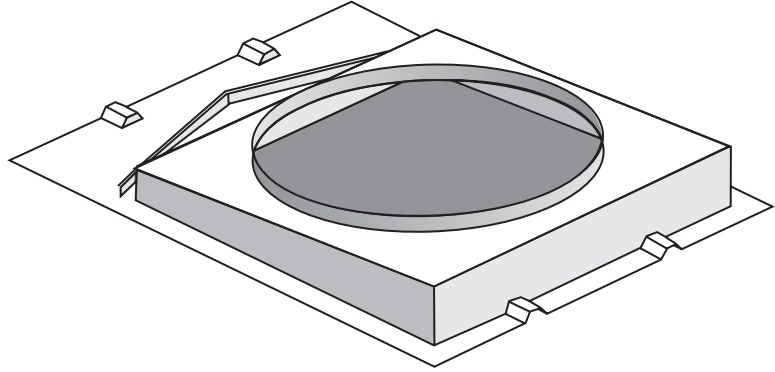
- ___ Damper Shelf/Duct Supports
- ___ Special Rib Placement

Wide Flanges

- ___ Upslope
- ___ Side
- ___ Downslope
- ___ Top Cover
- ___ Top Flange Broken Out
- ___ Cricket in Lieu of Diverter
- ___ Spliced Curb (2 Pieces)
- ___ Sub Framing
- ___ 2-1/2" Wide Mastic

Roof Panel Mfg: _____

Panel Model: _____



Curb Schedule

MARK	QTY	MODEL	A	B	S	PITCH	GA

<p>PROJECT: LOCATION: SUBMITTED BY: DATE:</p>	<p>CONTRACTOR: ENGINEER: APPROVED BY: DATE:</p>
--	--

ROMLA VENTILATOR COMPANY, INC.

9668-D Heinrich Hertz Drive, San Diego, California 92154 Ph (619) 946-1224 Fax (619) 946-1227

Model RMB7-C & RMB8-C Installation Details

1. Mark centerline of roof opening on a fully sheeted roof.

2. Lay out roof opening to match the curb "A", "C" & "D" dimensions using centerline of major rib as a guide.

3. Cut roof opening using normal metal building procedures. Slit upslope edges of rough opening ("D") for side flange penetration at transition point.

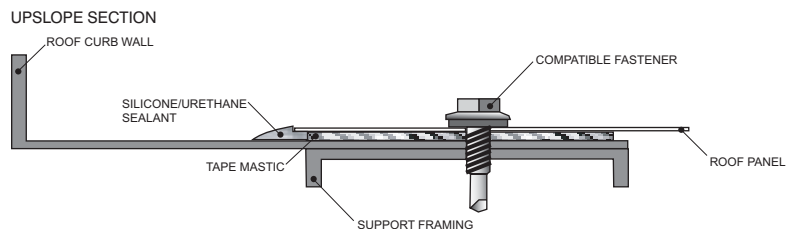
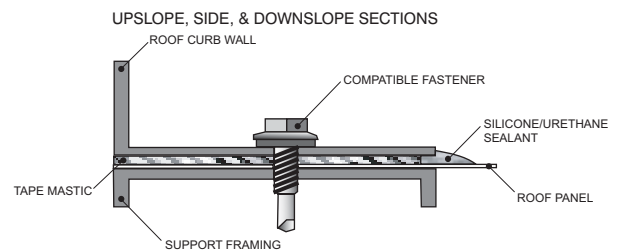
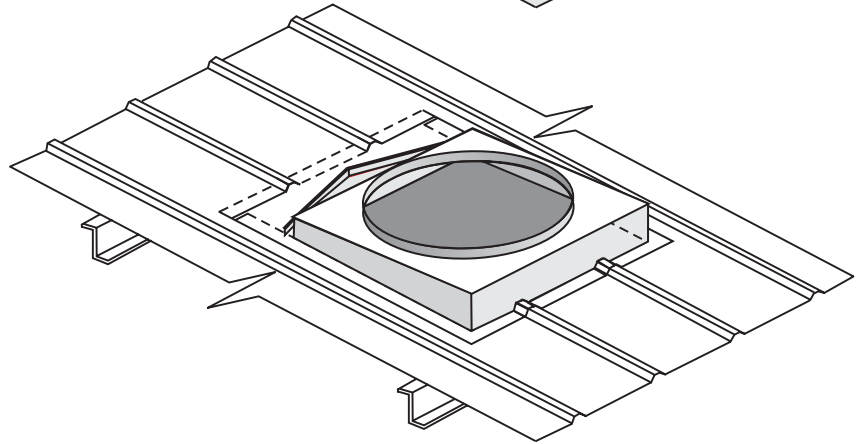
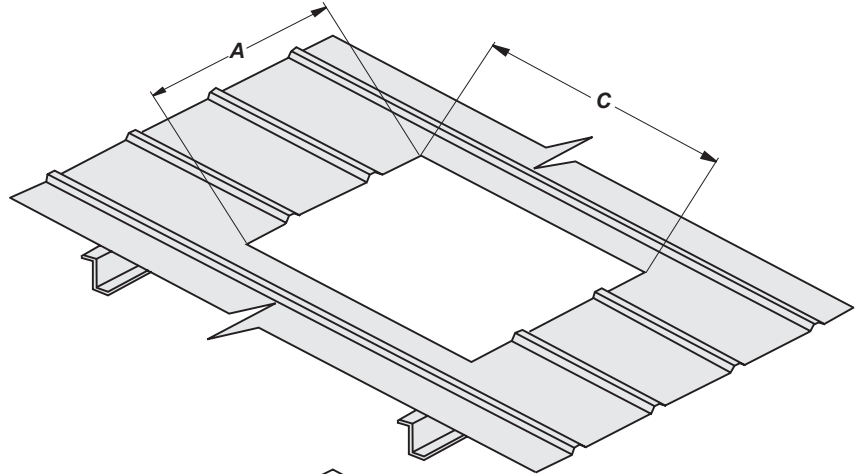
4. Install structural support framing to support curb and equipment loads (keep inside dimension clear). At least two parallel curb walls should be supported. Keep cantilever sections under 12".

5. Apply sealant tape or mastic between curb and roof panel. Apply to roof panel at curb side and downslope flange locations. Also apply to curb upslope flange. Use only building manufacturer's approved accessories.

6. Position curb into place over opening of roof panel. Upslope flange goes under roof panel. Side and downslope flanges go over roof panel.

7. Using fasteners to suit roof system, fasten curb to support structure through curb flange and roof panel. Fasteners to be located approximately 4" on center with a minimum of four fasteners per side.

8. Check installation to verify secure attachment and weather sealing. Caulk perimeter edge of curb flanges at roof panel.



ROMLA VENTILATOR COMPANY, INC.

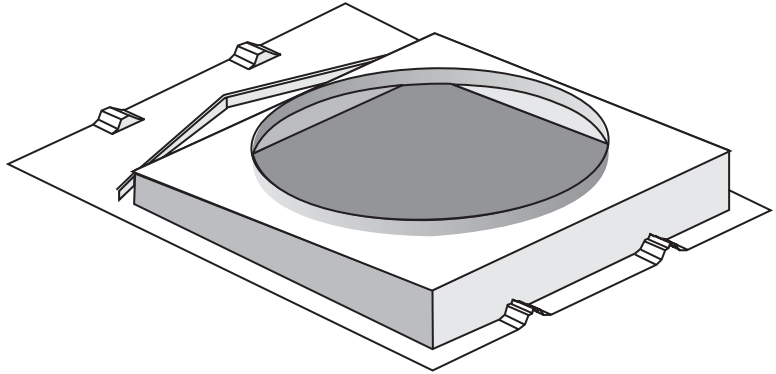
9668-D Heinrich Hertz Drive, San Diego, California 92154 Ph (619) 946-1224 Fax (619) 946-1227



Model RMB8-C
Metal Building Roof Curb

Specifications:

- 18 Gauge Aluminized Steel
- 6" Curb Height at Upslope
- 3" High Collar Flanges
- 1-1/2" Wide Top Flanges
- All Welded Construction
- Upslope Flange with "Under" Contours and a Water Diverter
- Downslope w/"Over" Contours



Options:

- ___ 16 Ga. Aluminized Steel
- ___ 14 Ga. Aluminized Steel
- ___ .080 Aluminum

Air Dry Enamel Finish

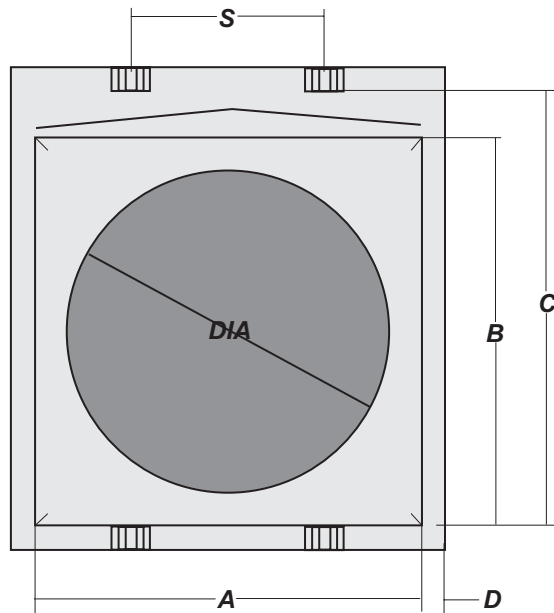
- ___ White
- ___ Custom Color

___ Special Height

- ___ Damper Shelf/Duct Supports
- ___ Special Rib Placement

Wide Flanges

- ___ Upslope
- ___ Side
- ___ Downslope
- ___ Top Cover
- ___ Top Flange Broken Out
- ___ Cricket in Lieu of Diverter
- ___ Spliced Curb (2 Pieces)
- ___ Sub Framing
- ___ 2-1/2" Wide Mastic



Curb Schedule

MARK	QTY	MODEL	A	B	S	PITCH	GA

Roof Panel Mfg:

Panel Model:

<p>PROJECT: LOCATION: SUBMITTED BY: DATE:</p>	<p>CONTRACTOR: ENGINEER: APPROVED BY: DATE:</p>
--	--

ROMLA VENTILATOR COMPANY, INC.

9668-D Heinrich Hertz Drive, San Diego, California 92154 Ph (619) 946-1224 Fax (619) 946-1227

Model RMB7-C & RMB8-C Installation Details

1. Mark centerline of roof opening on a fully sheeted roof.

2. Lay out roof opening to match the curb "A", "C" & "D" dimensions using centerline of major rib as a guide.

3. Cut roof opening using normal metal building procedures. Slit upslope edges of rough opening ("D") for side flange penetration at transition point.

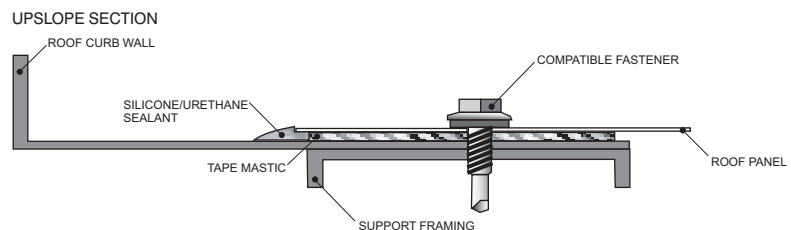
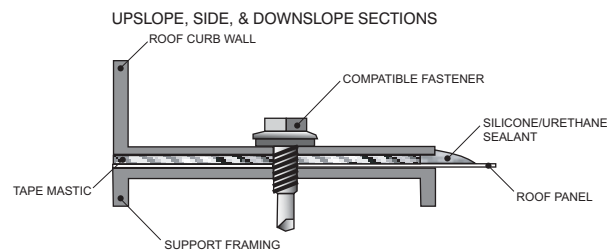
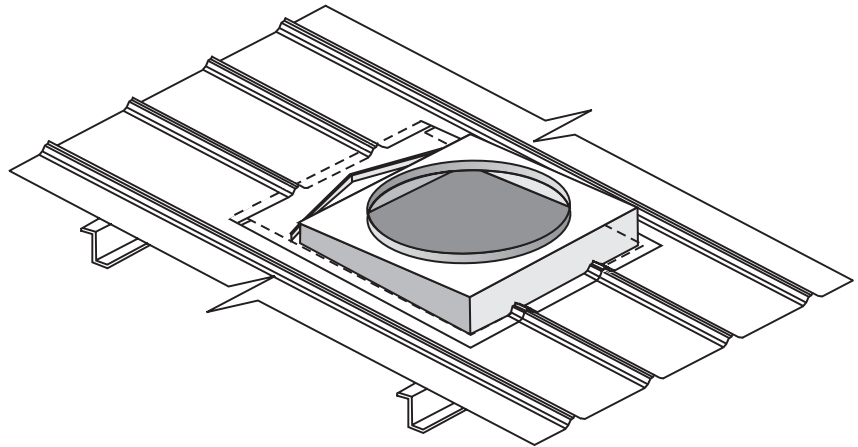
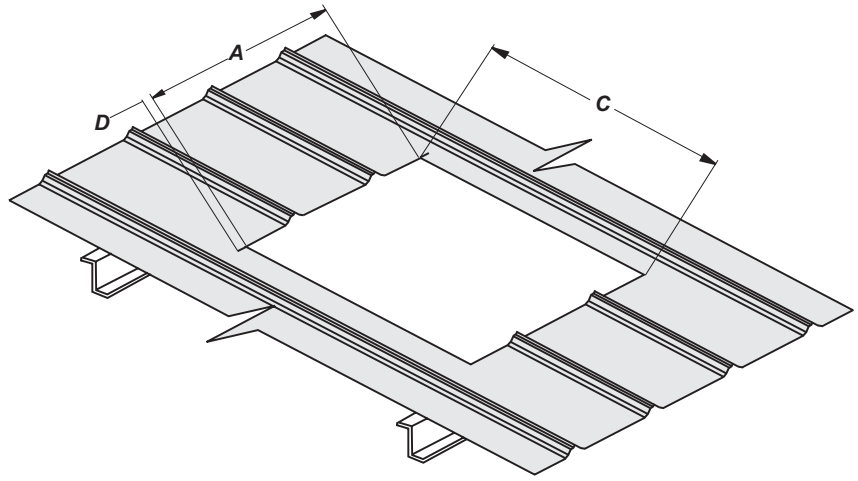
4. Install structural support framing to support curb and equipment loads (keep inside dimension clear). At least two parallel curb walls should be supported. Keep cantilever sections under 12".

5. Apply sealant tape or mastic between curb and roof panel. Apply to roof panel at curb side and downslope flange locations. Also apply to curb upslope flange. Use only building manufacturer's approved accessories.

6. Position curb into place over opening of roof panel. Upslope flange goes under roof panel. Side and downslope flanges go over roof panel.

7. Using fasteners to suit roof system, fasten curb to support structure through curb flange and roof panel. Fasteners to be located approximately 4" on center with a minimum of four fasteners per side.

8. Check installation to verify secure attachment and weather sealing. Caulk perimeter edge of curb flanges at roof panel.



ROMLA VENTILATOR COMPANY, INC.

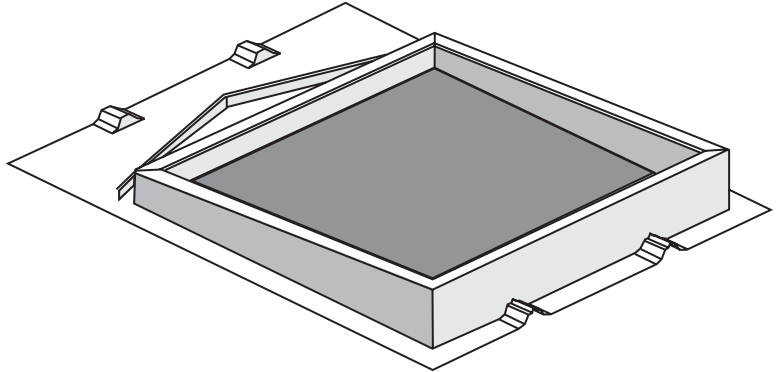
9668-D Heinrich Hertz Drive, San Diego, California 92154 Ph (619) 946-1224 Fax (619) 946-1227



**Model RMB8
Metal Building Roof Curb**

Specifications:

- 18 Gauge Aluminized Steel
- 6" Curb Height at Upslope
- 1-1/2" Wide Top Flanges
- All Welded Construction
- Upslope Flange with "Under" Contours and a Water Diverter
- Downslope w/"Over" Contours



Options:

- 16 Ga. Aluminized Steel
- 14 Ga. Aluminized Steel
- .080 Aluminum

Air Dry Enamel Finish

- White
- Custom Color

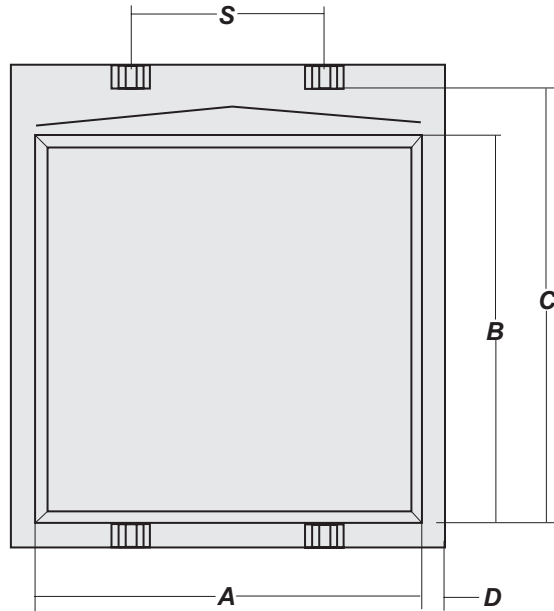
- Special Height
- Damper Shelf/Duct Supports
- Special Rib Placement

Wide Flanges

- Upslope
- Side
- Downslope
- Top Cover
- Top Flange Broken Out
- Cricket in Lieu of Diverter
- Spliced Curb (2 Pieces)
- Sub Framing
- 2-1/2" Wide Mastic

Roof Panel Mfg: _____

Panel Model: _____



Curb Schedule

MARK	QTY	MODEL	A	B	S	PITCH	GA

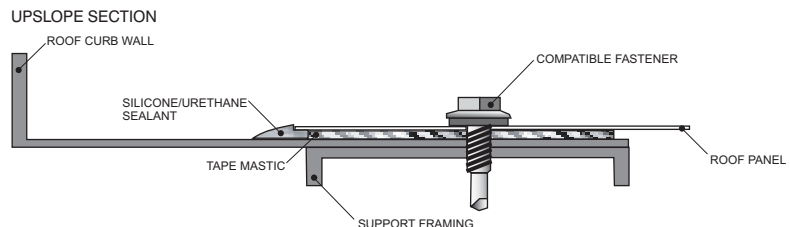
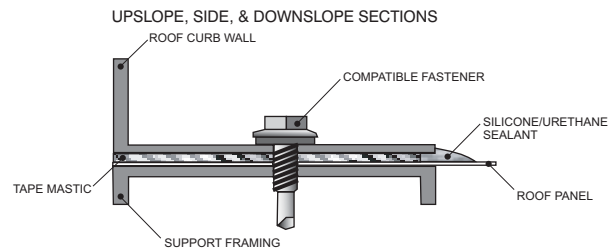
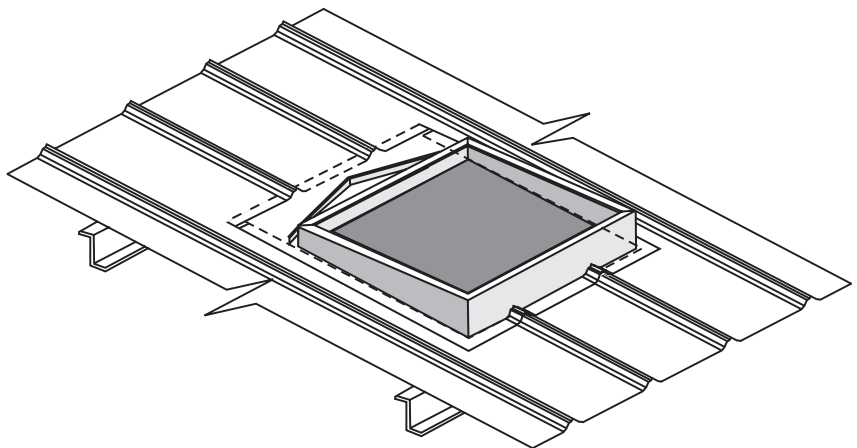
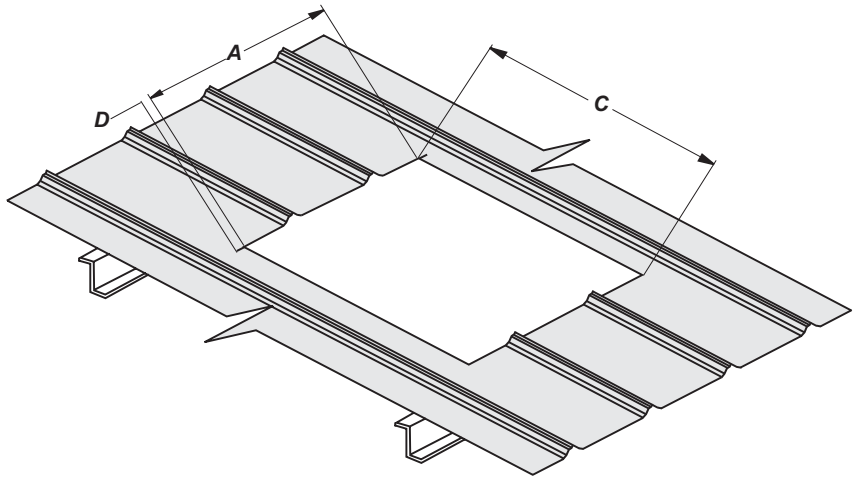
<p>PROJECT: LOCATION: SUBMITTED BY: DATE:</p>	<p>CONTRACTOR: ENGINEER: APPROVED BY: DATE:</p>
--	--

ROMLA VENTILATOR COMPANY, INC.

9668-D Heinrich Hertz Drive, San Diego, California 92154 Ph (619) 946-1224 Fax (619) 946-1227

Model RMB7 & RMB8 Installation Details

1. Mark centerline of roof opening on a fully sheeted roof.
2. Lay out roof opening to match the curb "A", "C" & "D" dimensions using centerline of major rib as a guide.
3. Cut roof opening using normal metal building procedures. Slit upslope edges of rough opening ("D") for side flange penetration at transition point.
4. Install structural support framing to support curb and equipment loads (keep inside dimension clear). At least two parallel curb walls should be supported. Keep cantilever sections under 12".
5. Apply sealant tape or mastic between curb and roof panel. Apply to roof panel at curb side and downslope flange locations. Also apply to curb upslope flange. Use only building manufacturer's approved accessories.
6. Position curb into place over opening of roof panel. Upslope flange goes under roof panel. Side and downslope flanges go over roof panel.
7. Using fasteners to suit roof system, fasten curb to support structure through curb flange and roof panel. Fasteners to be located approximately 4" on center with a minimum of four fasteners per side.
8. Check installation to verify secure attachment and weather sealing. Caulk perimeter edge of curb flanges at roof panel.



ROMLA VENTILATOR COMPANY, INC.

9668-D Heinrich Hertz Drive, San Diego, California 92154 Ph (619) 946-1224 Fax (619) 946-1227



**Model RMB9-C
Metal Building Roof Curb**

Specifications:

- 18 Gauge Aluminized Steel
- 6" Curb Height at Upslope
- 1-1/2" Wide Top Flanges
- All Welded Construction
- Upslope Flat Flange With a Water Diverter
- Downslope Flange With Offset For Placement of Closures (Supplied by Others)
- 1-1/2" Thick, 3 lb. Insulation

Options:

- 16 Ga. Aluminized Steel
- 14 Ga. Aluminized Steel
- .080 Aluminum

Air Dry Enamel Finish

- White
- Custom Color

Special Height

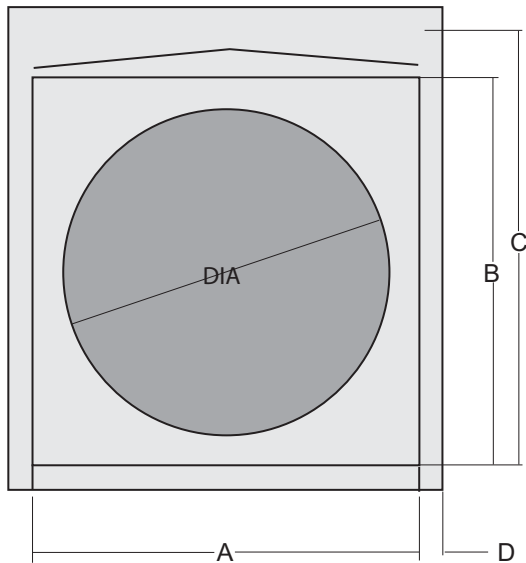
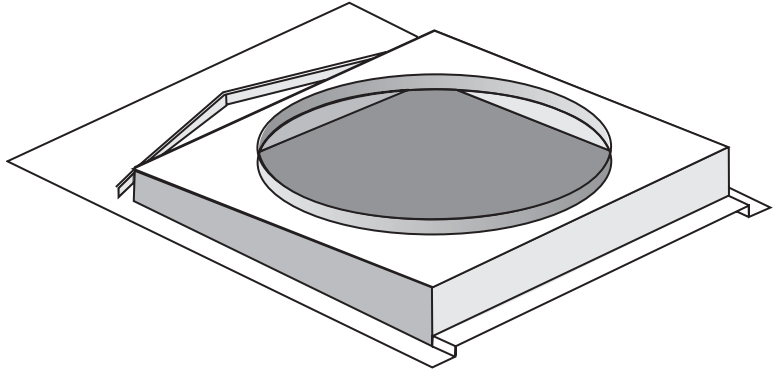
- Damper Shelf/Duct Supports
- Inside or Outside Insulation Liner

Wide Flanges

- Upslope
- Side
- Downslope
- Top Cover
- Top Flange Broken Out
- Cricket in Lieu of Diverter
- Spliced Curb (2 Pieces)
- Sub Framing
- 2-1/2" Wide Mastic

Roof Panel Mfg: _____

Panel Model: _____



Curb Schedule

MARK	QTY	MODEL	A	B	OFFSET	PITCH	GA

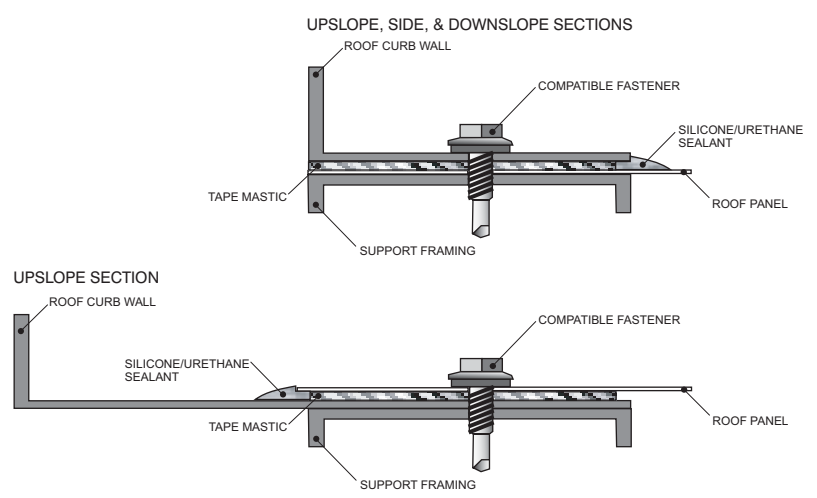
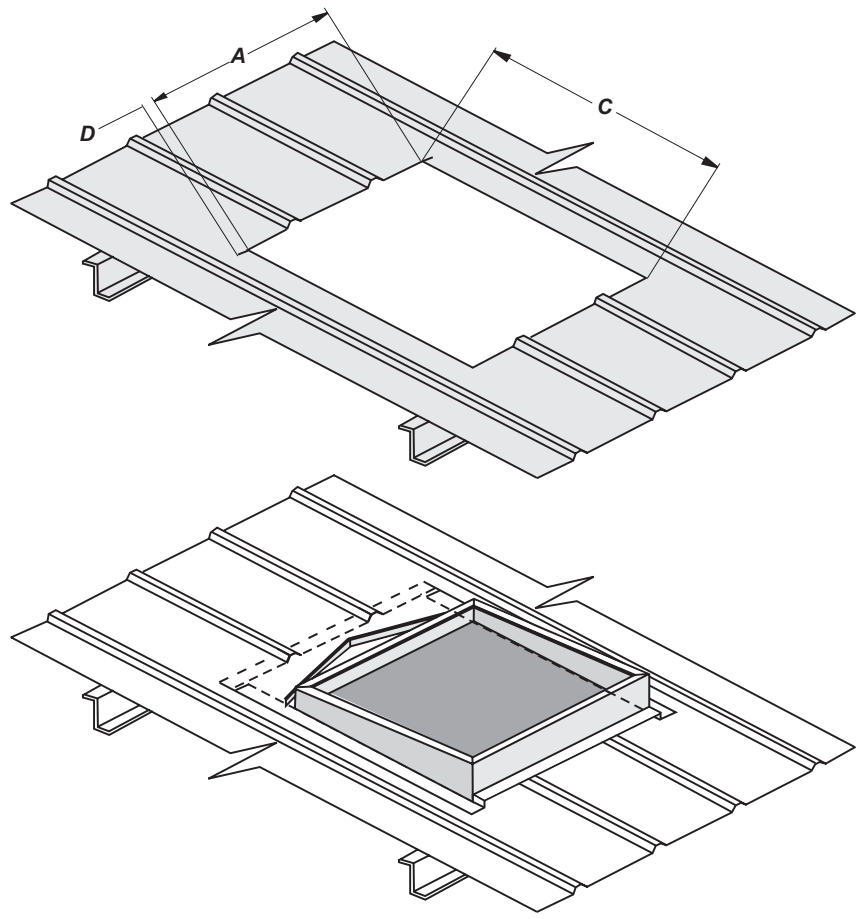
<p>PROJECT: LOCATION: SUBMITTED BY: DATE:</p>	<p>CONTRACTOR: ENGINEER: APPROVED BY: DATE:</p>
--	--

ROMLA VENTILATOR COMPANY, INC.

9668-D Heinrich Hertz Drive, San Diego, California 92154 Ph (619) 946-1224 Fax (619) 946-1227

Model RMB9-C & RMB10-C Installation Details

1. Mark centerline of roof opening on a fully sheeted roof.
2. Lay out roof opening to match the curb "A", "C" & "D" dimensions using centerline of major rib as a guide.
3. Cut roof opening using normal metal building procedures. Slit upslope edges of rough opening ("D") for side flange penetration at transition point.
4. Install structural support framing to support curb and equipment loads (keep inside dimension clear). At least two parallel curb walls should be supported. Keep cantilever sections under 12".
5. Apply closures and sealant tape (or mastic) between curb and roof panel. Apply to roof panel at curb side and downslope flange locations. Also apply to curb upslope flange. Use only building manufacturer's approved accessories.
6. Position curb into place over opening of roof panel. Upslope flange goes under roof panel. Side and downslope flanges go over roof panel.
7. Using fasteners to suit roof system, fasten curb to support structure through curb flange and roof panel. Fasteners to be located approximately 4" on center with a minimum of four fasteners per side.
8. Check installation to verify secure attachment and weather sealing. Caulk perimeter edge of curb flanges at roof panel.

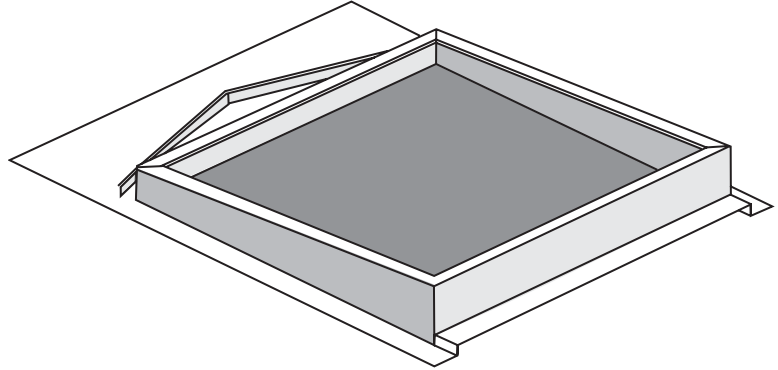




**Model RMB9
Metal Building Roof Curb**

Specifications:

- 18 Gauge Aluminized Steel
- 6" Curb Height at Upslope
- 1-1/2" Wide Top Flanges
- All Welded Construction
- Upslope Flat Flange With a Water Diverter
- Downslope Flange With Offset For Placement of Closures (Supplied by Others)
- 1-1/2" Thick, 3 lb. Insulation



Options:

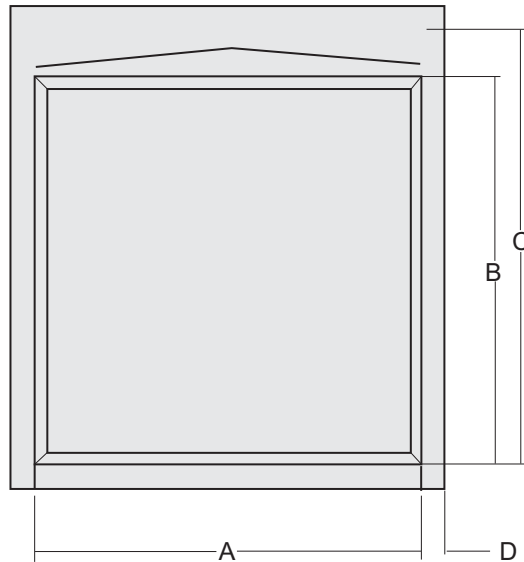
- 16 Ga. Aluminized Steel
- 14 Ga. Aluminized Steel
- .080 Aluminum

Air Dry Enamel Finish

- White
- Custom Color

Special Height

- Damper Shelf/Duct Supports*
- Inside or Outside Insulation Liner*



Wide Flanges

- Upslope*
- Side*
- Downslope*
- Top Cover*
- Top Flange Broken Out*
- Cricket in Lieu of Diverter*
- Spliced Curb (2 Pieces)*
- Sub Framing*
- 2-1/2" Wide Mastic*

Curb Schedule

MARK	QTY	MODEL	A	B	OFFSET	PITCH	GA

Roof Panel Mfg:

Panel Model:

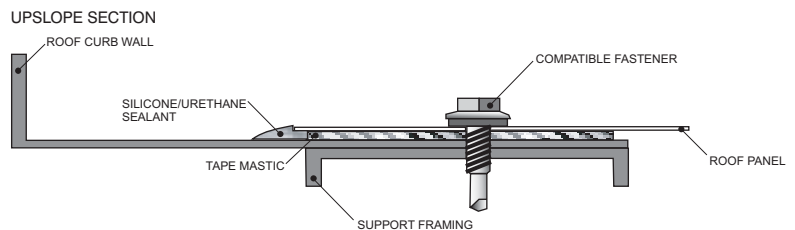
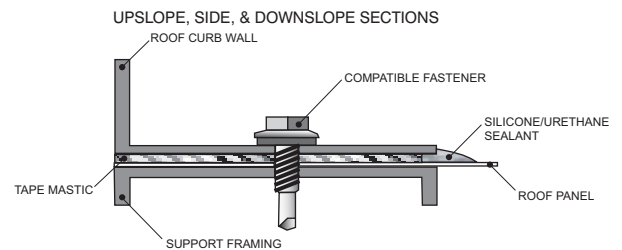
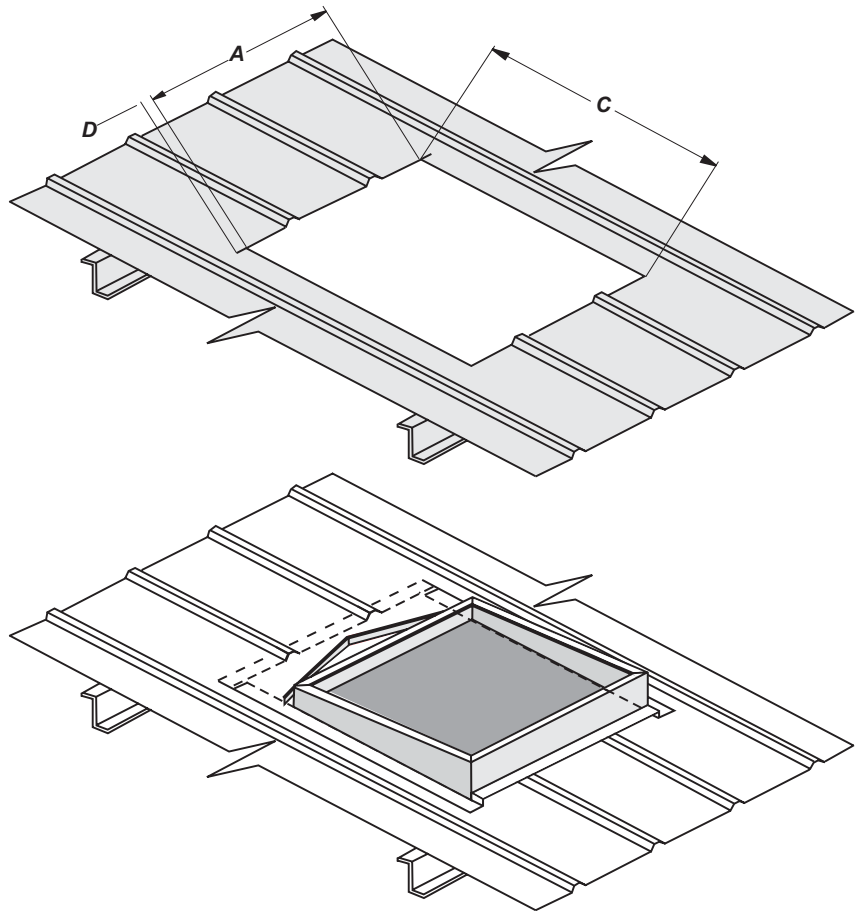
<p>PROJECT: LOCATION: SUBMITTED BY: DATE:</p>	<p>CONTRACTOR: ENGINEER: APPROVED BY: DATE:</p>
---	---

ROMLA VENTILATOR COMPANY, INC.

9668-D Heinrich Hertz Drive, San Diego, California 92154 Ph (619) 946-1224 Fax (619) 946-1227

Model RMB9 & RMB10 Installation Details

1. Mark centerline of roof opening on a fully sheeted roof.
2. Lay out roof opening to match the curb "A", "C" & "D" dimensions using centerline of major rib as a guide.
3. Cut roof opening using normal metal building procedures. Slit upslope edges of rough opening ("D") for side flange penetration at transition point.
4. Install structural support framing to support curb and equipment loads (keep inside dimension clear). At least two parallel curb walls should be supported. Keep cantilever sections under 12".
5. Apply closures and sealant tape (or mastic) between curb and roof panel. Apply to roof panel at curb side and downslope flange locations. Also apply to curb upslope flange. Use only building manufacturer's approved accessories.
6. Position curb into place over opening of roof panel. Upslope flange goes under roof panel. Side and downslope flanges go over roof panel.
7. Using fasteners to suit roof system, fasten curb to support structure through curb flange and roof panel. Fasteners to be located approximately 4" on center with a minimum of four fasteners per side.
8. Check installation to verify secure attachment and weather sealing. Caulk perimeter edge of curb flanges at roof panel.



ROMLA VENTILATOR COMPANY, INC.

9668-D Heinrich Hertz Drive, San Diego, California 92154 Ph (619) 946-1224 Fax (619) 946-1227



**Type RMB9-RM
Metal Building Roof Curb**

Specifications:

- 18 Gauge Aluminized Steel
- 6" Minimum Curb Height at Ridge
- 1-1/2" Wide Top Flanges
- All Welded Construction
- Offset Downslope Flanges
(Closures Supplied by Others)
- 1-1/2" Thick, 3lb Insulation

Options:

- 16 Ga. Aluminized Steel
- 14 Ga. Aluminized Steel
- .080 Aluminum

Air Dry Enamel Finish

- White
- Custom Color

- Special Height
- Damper Shelf/Duct Supports
- Inside or Outside Insulation Liner

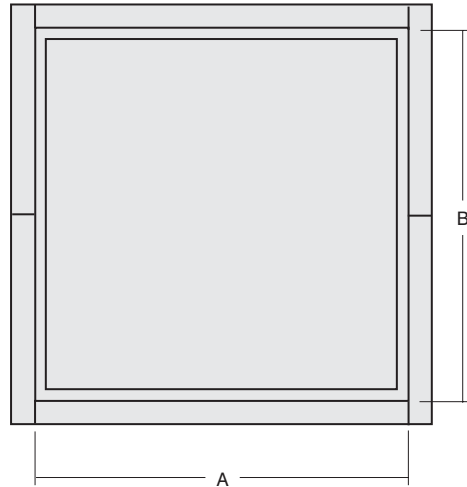
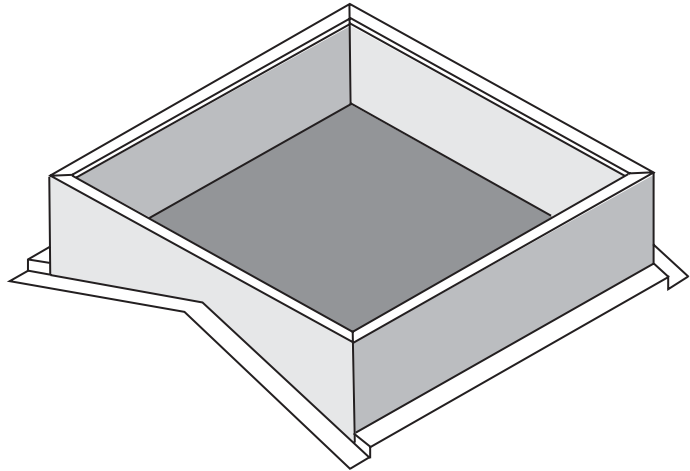
Wide Flanges

- Side
- Downslope

- Top Cover
- Top Flange Broken Out
- Cricket in Lieu of Diverter
- Spliced Curb (2 Pieces)
- Sub Framing
- 2-1/2" Wide Mastic

Roof Panel Mfg:

Panel Model:



Curb Schedule

MARK	QTY	MODEL	A	B	OFFSET	PITCH	GA

PROJECT:
LOCATION:
SUBMITTED BY:
DATE:

CONTRACTOR:
ENGINEER:
APPROVED BY:
DATE:

Model RMB9-RM & RMB10-RM Installation Details

1. Mark centerline of roof opening on a fully sheeted roof.

2. Lay out roof opening to match the curb "A" & "B" dimensions using centerline of major rib as a guide.

3. Cut roof opening using normal metal building procedures.

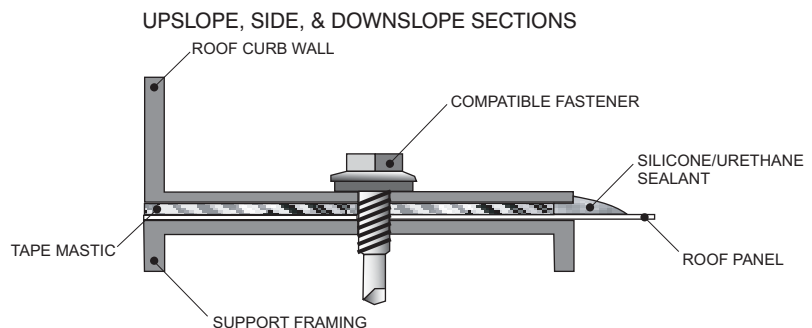
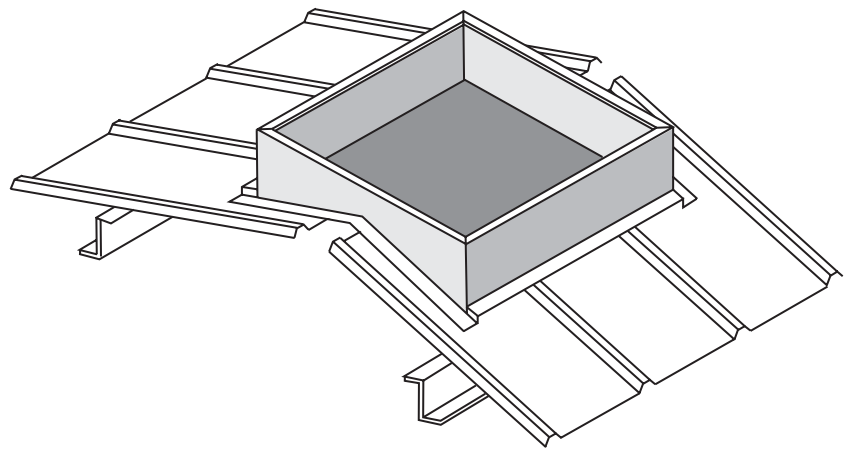
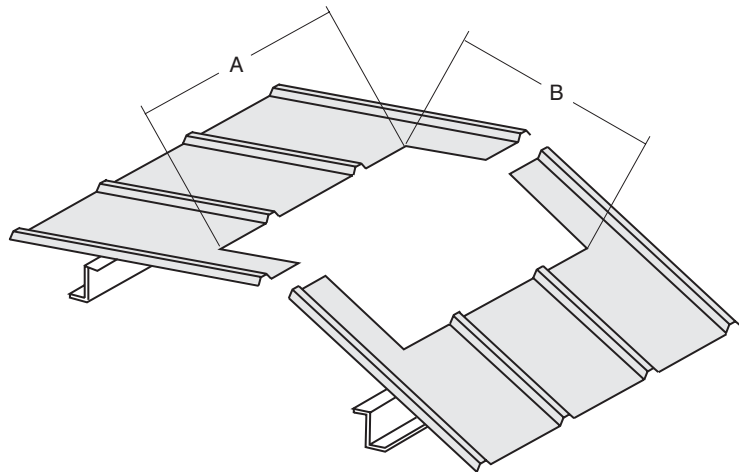
4. Install structural support framing to support curb and equipment loads (keep inside dimension clear). At least two parallel curb walls should be supported. Keep cantilever sections under 12".

5. Apply closures and sealant tape (or mastic) between curb and roof panel. Apply to roof panel at curb side and downslope flange locations. Use only building manufacturer's approved accessories.

6. Position curb into place over opening of roof panel.

7. Using fasteners to suit roof system, fasten curb to support structure through curb flange and roof panel. Fasteners to be located approximately 4" on center with a minimum of four fasteners per side.

8. Check installation to verify secure attachment and weather sealing. Caulk perimeter edge of curb flanges at roof panel.



ROMLA VENTILATOR COMPANY, INC.

9668-D Heinrich Hertz Drive, San Diego, California 92154 Ph (619) 946-1224 Fax (619) 946-1227



**Type RMB9-RM-C
Metal Building Roof Curb**

Specifications:

- 18 Gauge Aluminized Steel
- 6" Minimum Curb Height at Ridge
- 1-1/2" Wide Top Flanges
- All Welded Construction
- Offset Downslope Flanges
(Closures Supplied by Others)
- 1-1/2" Thick, 3lb Insulation

Options:

- 16 Ga. Aluminized Steel
- 14 Ga. Aluminized Steel
- .080 Aluminum

Air Dry Enamel Finish

- White
- Custom Color

Special Height

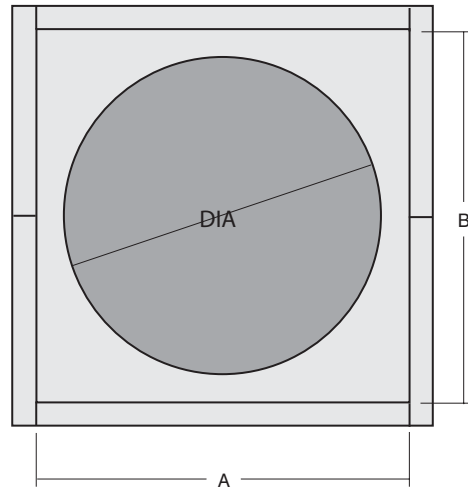
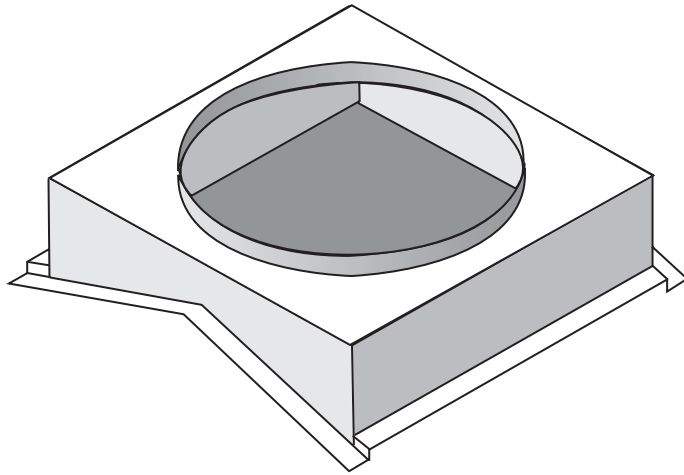
- Inside or Outside Insulation Liner

Wide Flanges

- Side
- Downslope

Spliced Curb (2 Pieces)

- Sub Framing
- 2-1/2" Wide Mastic



Curb Schedule

Roof Panel Mfg:

Panel Model:

MARK	QTY	MODEL	A	B	OFFSET	PITCH	GA

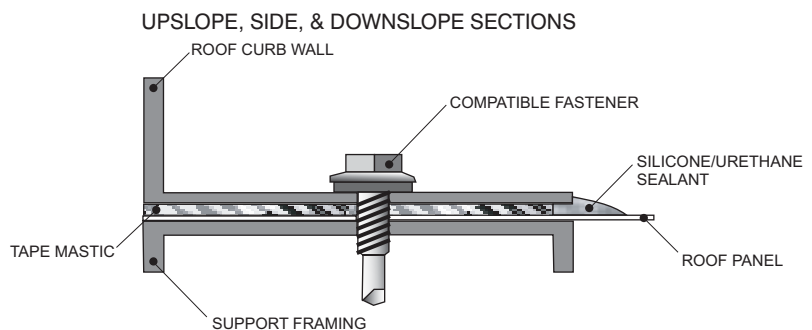
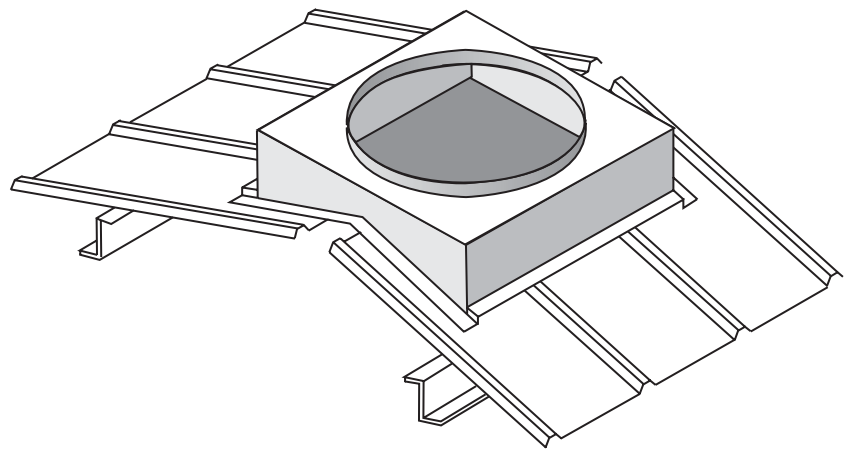
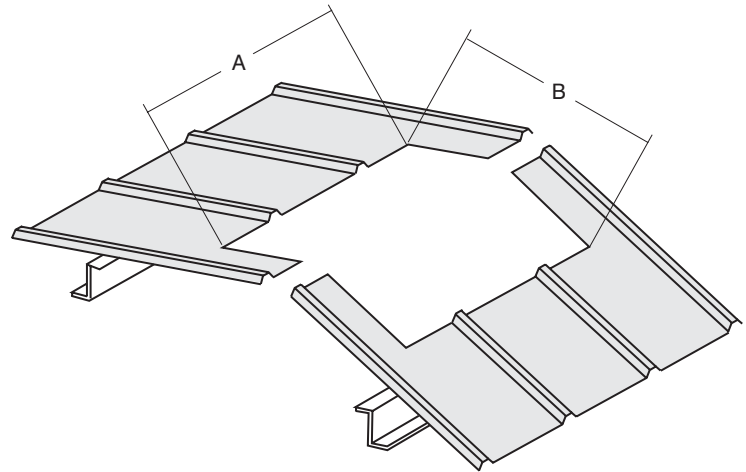
<p>PROJECT: LOCATION: SUBMITTED BY: DATE:</p>	<p>CONTRACTOR: ENGINEER: APPROVED BY: DATE:</p>
---	---

ROMLA VENTILATOR COMPANY, INC.

9668-D Heinrich Hertz Drive, San Diego, California 92154 Ph (619) 946-1224 Fax (619) 946-1227

Model RMB9-RM-C & RMB10-RM-C Installation Details

1. Mark centerline of roof opening on a fully sheeted roof.
2. Lay out roof opening to match the curb "A" & "B" dimensions using centerline of major rib as a guide.
3. Cut roof opening using normal metal building procedures.
4. Install structural support framing to support curb and equipment loads (keep inside dimension clear). At least two parallel curb walls should be supported. Keep cantilever sections under 12".
5. Apply closures and sealant tape (or mastic) between curb and roof panel. Apply to roof panel at curb side and downslope flange locations. Use only building manufacturer's approved accessories.
6. Position curb into place over opening of roof panel.
7. Using fasteners to suit roof system, fasten curb to support structure through curb flange and roof panel. Fasteners to be located approximately 4" on center with a minimum of four fasteners per side.
8. Check installation to verify secure attachment and weather sealing. Caulk perimeter edge of curb flanges at roof panel.



ROMLA VENTILATOR COMPANY, INC.

9668-D Heinrich Hertz Drive, San Diego, California 92154 Ph (619) 946-1224 Fax (619) 946-1227



**Model RMB9
Metal Building Roof Curb**

Specifications:

- 18 Gauge Aluminized Steel
- 6" Curb Height at Upslope
- 1-1/2" Wide Top Flanges
- All Welded Construction
- Upslope Flat Flange With a Water Diverter
- Downslope Flange Flat With Slotting by Others
- 1-1/2" Thick, 3 lb. Insulation

Options:

- 16 Ga. Aluminized Steel
- 14 Ga. Aluminized Steel
- .080 Aluminum

Air Dry Enamel Finish

- White
- Custom Color

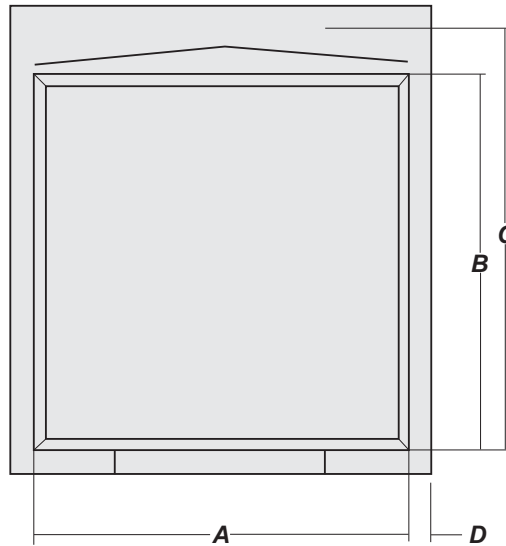
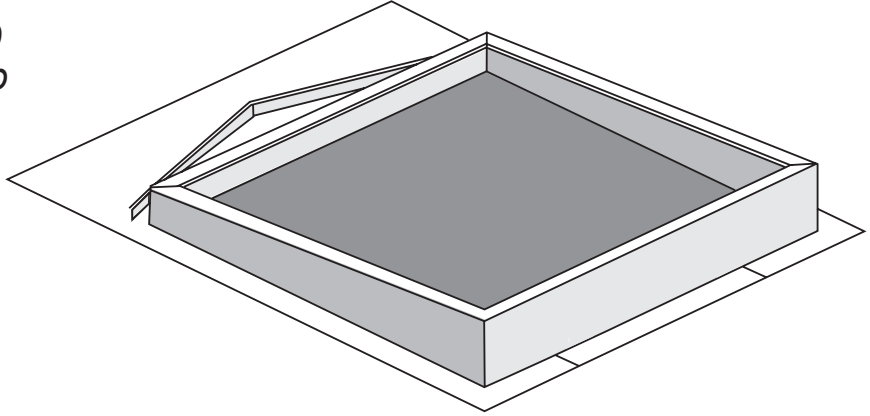
- Special Height
- Damper Shelf/Duct Supports
- Inside or Outside Insulation Liner

Wide Flanges

- Upslope
- Side
- Downslope
- Top Cover
- Top Flange Broken Out
- Cricket in Lieu of Diverter
- Spliced Curb (2 Pieces)
- Sub Framing
- 2-1/2" Wide Mastic

Roof Panel Mfg:

Panel Model:



Curb Schedule

MARK	QTY	MODEL	A	B	PITCH	GA

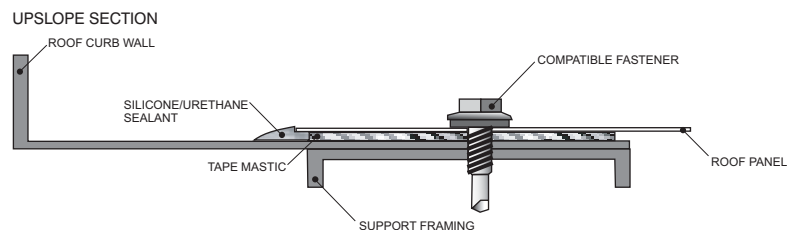
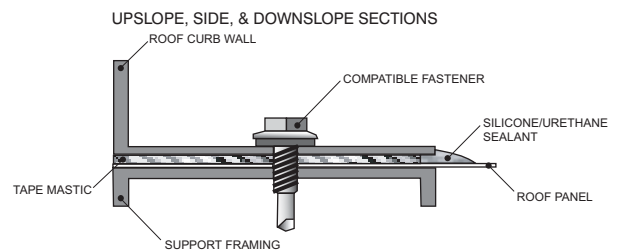
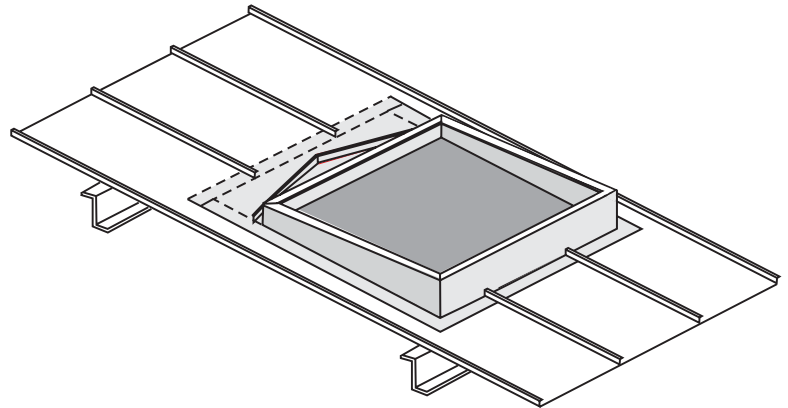
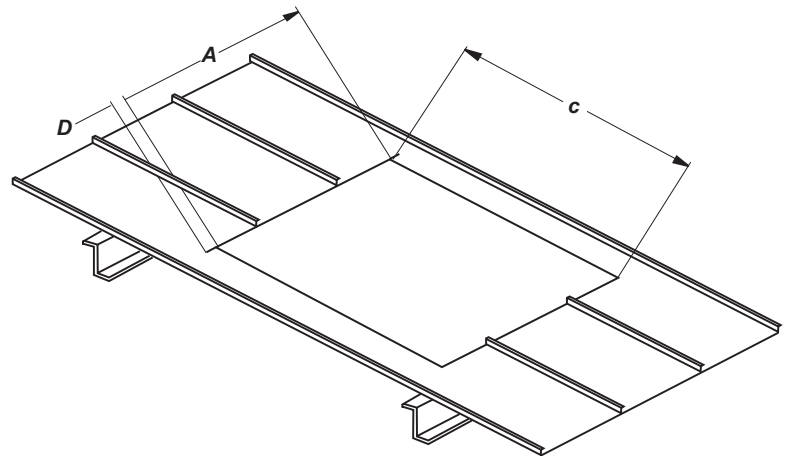
<p>PROJECT: LOCATION: SUBMITTED BY: DATE:</p>	<p>CONTRACTOR: ENGINEER: APPROVED BY: DATE:</p>
--	--

ROMLA VENTILATOR COMPANY, INC.

9668-D Heinrich Hertz Drive, San Diego, California 92154 Ph (619) 946-1224 Fax (619) 946-1227

Model RMB9 & RMB10 Installation Details

1. Mark centerline of roof opening on a fully sheeted roof.
2. Lay out roof opening to match the curb "A", "C" & "D" dimensions using centerline of major rib as a guide.
3. Cut roof opening using normal metal building procedures. Slit upslope edges of rough opening ("D") for side flange penetration at transition point.
4. Install structural support framing to support curb and equipment loads (keep inside dimension clear). At least two parallel curb walls should be supported. Keep cantilever sections under 12".
5. Apply sealant tape or mastic between curb and roof panel. Apply to roof panel at curb side and downslope flange locations. Also apply to curb upslope flange. Slot the downslope flanges where required. Use only building manufacturer's approved accessories.
6. Position curb into place over opening of roof panel. Upslope flange goes under roof panel. Side and downslope flanges go over roof panel.
7. Using fasteners to suit roof system, fasten curb to support structure through curb flange and roof panel. Fasteners to be located approximately 4" on center with a minimum of four fasteners per side.
8. Check installation to verify secure attachment and weather sealing. Caulk perimeter edge of curb flanges at roof panel.



ROMLA VENTILATOR COMPANY, INC.

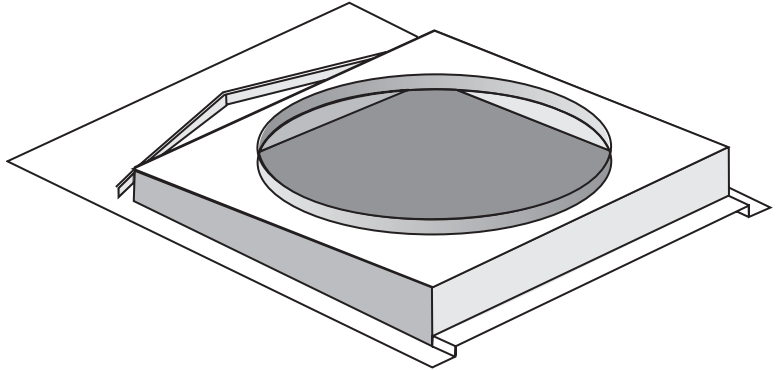
9668-D Heinrich Hertz Drive, San Diego, California 92154 Ph (619) 946-1224 Fax (619) 946-1227



**Model RMB10-C
Metal Building Roof Curb**

Specifications:

- 18 Gauge Aluminized Steel
- 6" Curb Height at Upslope
- 1-1/2" Wide Top Flanges
- All Welded Construction
- Upslope Flat Flange With a Water Diverter
- Downslope Flange With Offset For Placement of Closures (Supplied by Others)



Options:

- 16 Ga. Aluminized Steel
- 14 Ga. Aluminized Steel
- .080 Aluminum

Air Dry Enamel Finish

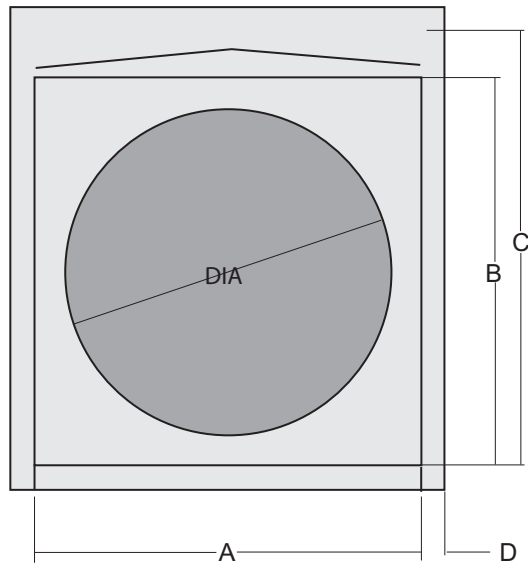
- White
- Custom Color

Special Height

- Damper Shelf/Duct Supports

Wide Flanges

- Upslope
- Side
- Downslope
- Top Cover
- Top Flange Broken Out
- Cricket in Lieu of Diverter
- Spliced Curb (2 Pieces)
- Sub Framing
- 2-1/2" Wide Mastic



Curb Schedule

MARK	QTY	MODEL	A	B	OFFSET	PITCH	GA

Roof Panel Mfg:

Panel Model:

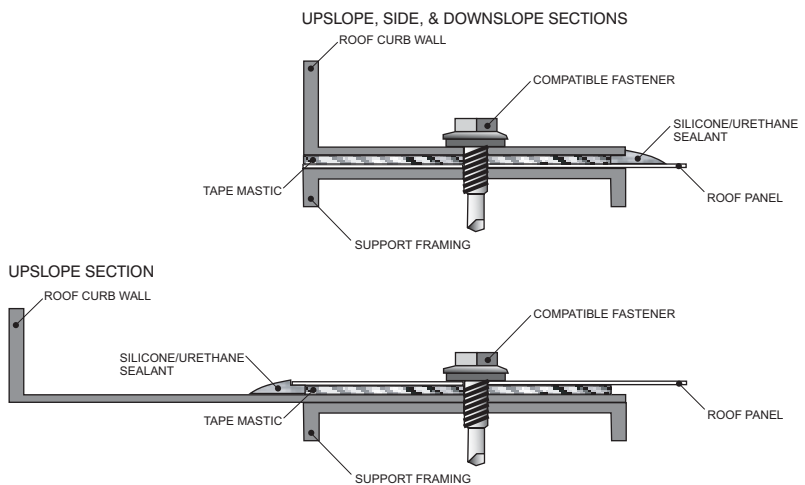
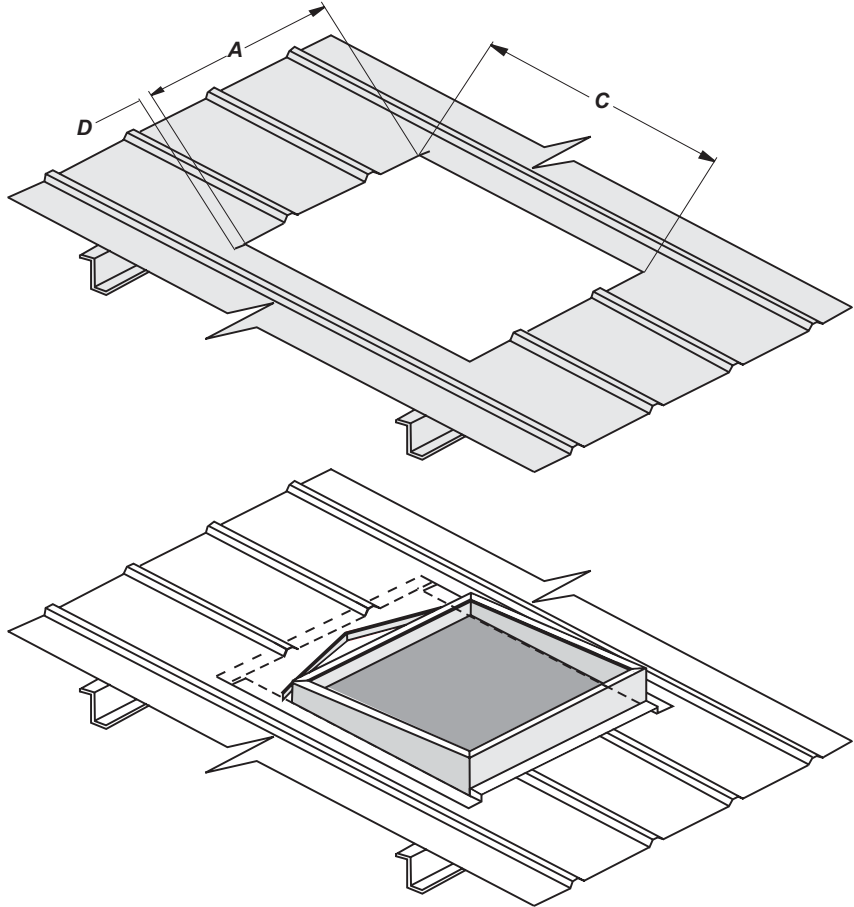
<p>PROJECT: LOCATION: SUBMITTED BY: DATE:</p>	<p>CONTRACTOR: ENGINEER: APPROVED BY: DATE:</p>
---	---

ROMLA VENTILATOR COMPANY, INC.

9668-D Heinrich Hertz Drive, San Diego, California 92154 Ph (619) 946-1224 Fax (619) 946-1227

Model RMB9-C & RMB10-C Installation Details

1. Mark centerline of roof opening on a fully sheeted roof.
2. Lay out roof opening to match the curb "A", "C" & "D" dimensions using centerline of major rib as a guide.
3. Cut roof opening using normal metal building procedures. Slit upslope edges of rough opening ("D") for side flange penetration at transition point.
4. Install structural support framing to support curb and equipment loads (keep inside dimension clear). At least two parallel curb walls should be supported. Keep cantilever sections under 12".
5. Apply closures and sealant tape (or mastic) between curb and roof panel. Apply to roof panel at curb side and downslope flange locations. Also apply to curb upslope flange. Use only building manufacturer's approved accessories.
6. Position curb into place over opening of roof panel. Upslope flange goes under roof panel. Side and downslope flanges go over roof panel.
7. Using fasteners to suit roof system, fasten curb to support structure through curb flange and roof panel. Fasteners to be located approximately 4" on center with a minimum of four fasteners per side.
8. Check installation to verify secure attachment and weather sealing. Caulk perimeter edge of curb flanges at roof panel.



ROMLA VENTILATOR COMPANY, INC.

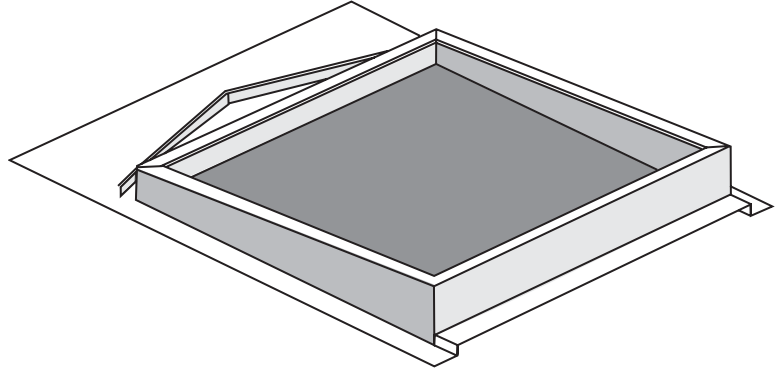
9668-D Heinrich Hertz Drive, San Diego, California 92154 Ph (619) 946-1224 Fax (619) 946-1227



**Model RMB10
Metal Building Roof Curb**

Specifications:

- 18 Gauge Aluminized Steel
- 6" Curb Height at Upslope
- 1-1/2" Wide Top Flanges
- All Welded Construction
- Upslope Flat Flange With a Water Diverter
- Downslope Flange With Offset For Placement of Closures (Supplied by Others)



Options:

- 16 Ga. Aluminized Steel
- 14 Ga. Aluminized Steel
- .080 Aluminum

Air Dry Enamel Finish

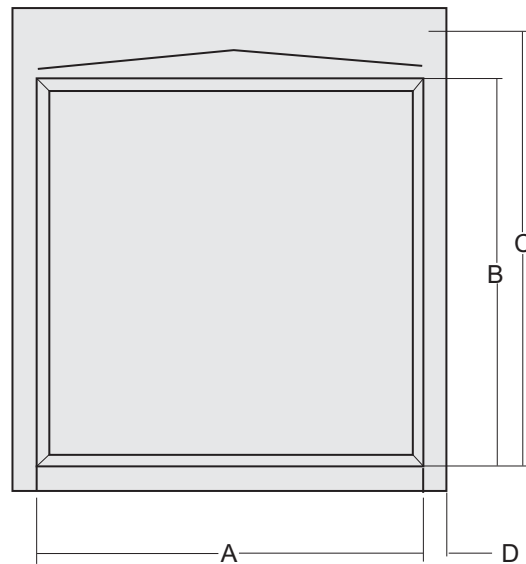
- White
- Custom Color

Special Height

- Damper Shelf/Duct Supports

Wide Flanges

- Upslope
- Side
- Downslope
- Top Cover
- Top Flange Broken Out
- Cricket in Lieu of Diverter
- Spliced Curb (2 Pieces)
- Sub Framing
- 2-1/2" Wide Mastic



Curb Schedule

MARK	QTY	MODEL	A	B	OFFSET	PITCH	GA

Roof Panel Mfg:

Panel Model:

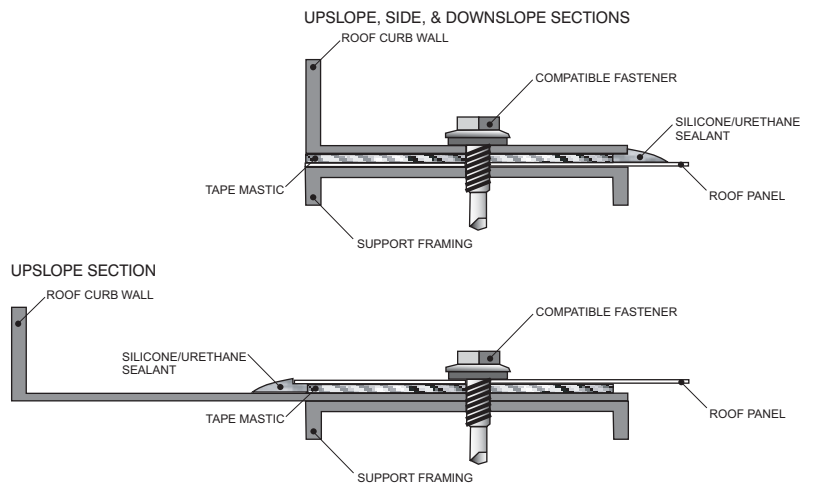
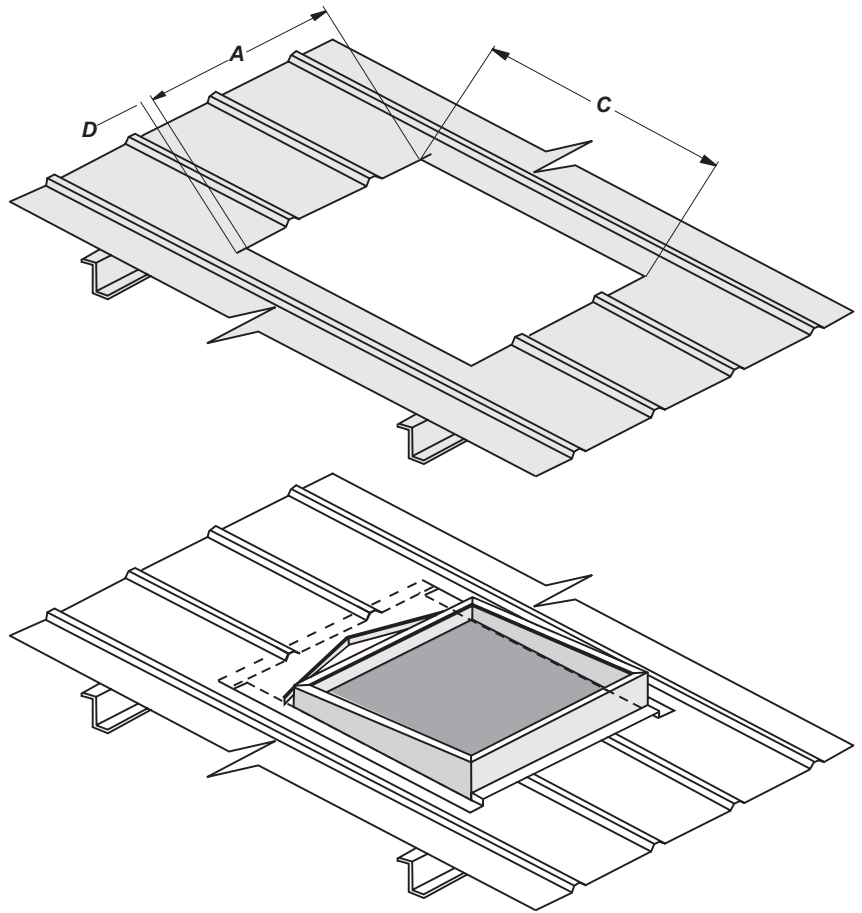
<p>PROJECT: LOCATION: SUBMITTED BY: DATE:</p>	<p>CONTRACTOR: ENGINEER: APPROVED BY: DATE:</p>
---	---

ROMLA VENTILATOR COMPANY, INC.

9668-D Heinrich Hertz Drive, San Diego, California 92154 Ph (619) 946-1224 Fax (619) 946-1227

Model RMB9 & RMB10 Installation Details

1. Mark centerline of roof opening on a fully sheeted roof.
2. Lay out roof opening to match the curb "A", "C" & "D" dimensions using centerline of major rib as a guide.
3. Cut roof opening using normal metal building procedures. Slit upslope edges of rough opening ("D") for side flange penetration at transition point.
4. Install structural support framing to support curb and equipment loads (keep inside dimension clear). At least two parallel curb walls should be supported. Keep cantilever sections under 12".
5. Apply closures and sealant tape (or mastic) between curb and roof panel. Apply to roof panel at curb side and downslope flange locations. Also apply to curb upslope flange. Use only building manufacturer's approved accessories.
6. Position curb into place over opening of roof panel. Upslope flange goes under roof panel. Side and downslope flanges go over roof panel.
7. Using fasteners to suit roof system, fasten curb to support structure through curb flange and roof panel. Fasteners to be located approximately 4" on center with a minimum of four fasteners per side.
8. Check installation to verify secure attachment and weather sealing. Caulk perimeter edge of curb flanges at roof panel.



ROMLA VENTILATOR COMPANY, INC.

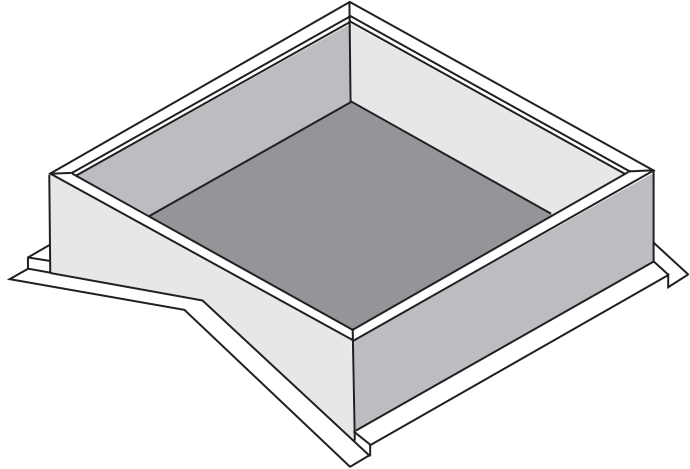
9668-D Heinrich Hertz Drive, San Diego, California 92154 Ph (619) 946-1224 Fax (619) 946-1227



**Type RMB10-RM
Metal Building Roof Curb**

Specifications:

- 18 Gauge Aluminized Steel
- 6" Minimum Curb Height at Ridge
- 1-1/2" Wide Top Flanges
- All Welded Construction
- Offset Downslope Flanges
(Closures Supplied by Others)



Options:

- 16 Ga. Aluminized Steel
- 14 Ga. Aluminized Steel
- .080 Aluminum

Air Dry Enamel Finish

- White
- Custom Color

Special Height

- Damper Shelf/Duct Supports

Wide Flanges

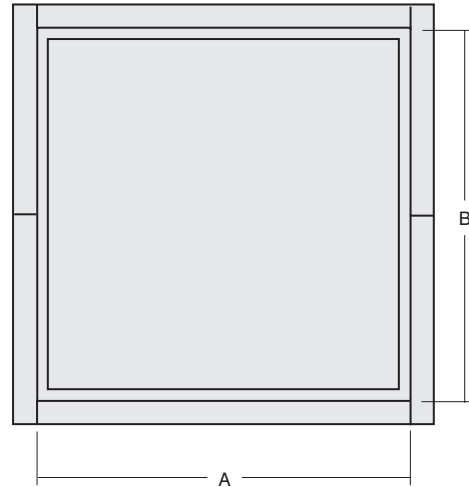
- Side
- Downslope

Top Cover

- Top Flange Broken Out
- Cricket in Lieu of Diverter
- Spliced Curb (2 Pieces)
- Sub Framing
- 2-1/2" Wide Mastic

Roof Panel Mfg:

Panel Model:



Curb Schedule

MARK	QTY	MODEL	A	B	OFFSET	PITCH	GA

<p>PROJECT: LOCATION: SUBMITTED BY: DATE:</p>	<p>CONTRACTOR: ENGINEER: APPROVED BY: DATE:</p>
---	---

Model RMB9-RM & RMB10-RM Installation Details

1. Mark centerline of roof opening on a fully sheeted roof.

2. Lay out roof opening to match the curb "A" & "B" dimensions using centerline of major rib as a guide.

3. Cut roof opening using normal metal building procedures.

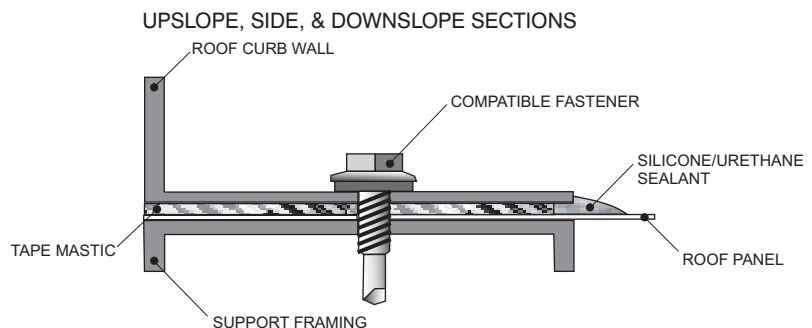
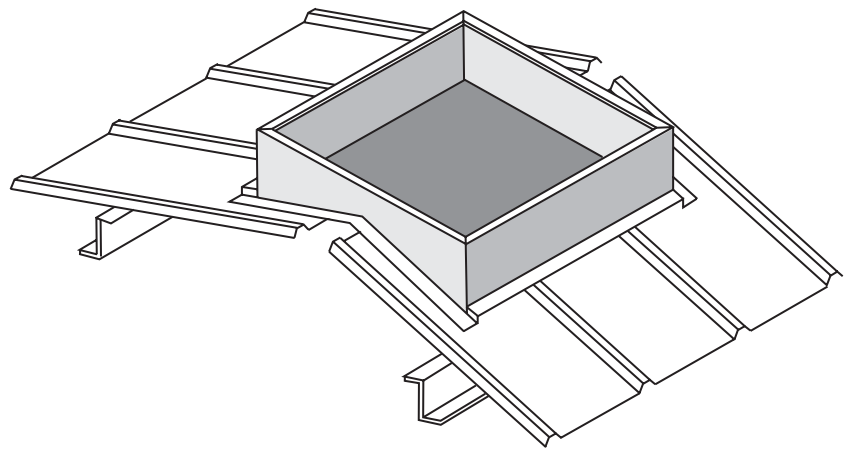
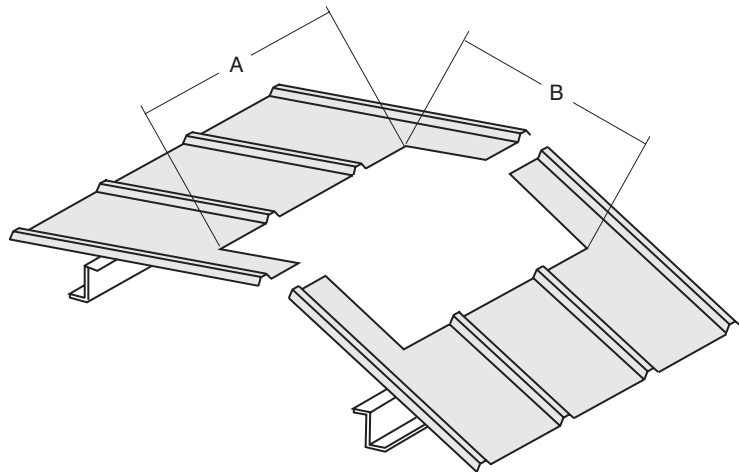
4. Install structural support framing to support curb and equipment loads (keep inside dimension clear). At least two parallel curb walls should be supported. Keep cantilever sections under 12".

5. Apply closures and sealant tape (or mastic) between curb and roof panel. Apply to roof panel at curb side and downslope flange locations. Use only building manufacturer's approved accessories.

6. Position curb into place over opening of roof panel.

7. Using fasteners to suit roof system, fasten curb to support structure through curb flange and roof panel. Fasteners to be located approximately 4" on center with a minimum of four fasteners per side.

8. Check installation to verify secure attachment and weather sealing. Caulk perimeter edge of curb flanges at roof panel.



ROMLA VENTILATOR COMPANY, INC.

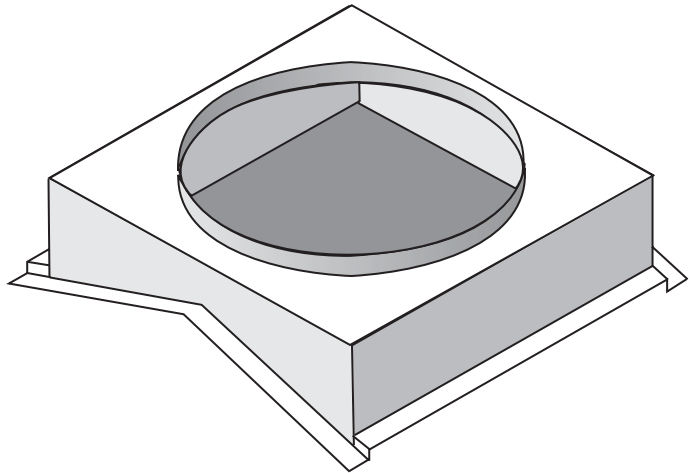
9668-D Heinrich Hertz Drive, San Diego, California 92154 Ph (619) 946-1224 Fax (619) 946-1227



**Type RMB10-RM-C
Metal Building Roof Curb**

Specifications:

- 18 Gauge Aluminized Steel
- 6" Minimum Curb Height at Ridge
- 1-1/2" Wide Top Flanges
- All Welded Construction
- Offset Downslope Flanges
(Closures Supplied by Others)



Options:

- 16 Ga. Aluminized Steel
- 14 Ga. Aluminized Steel
- .080 Aluminum

Air Dry Enamel Finish

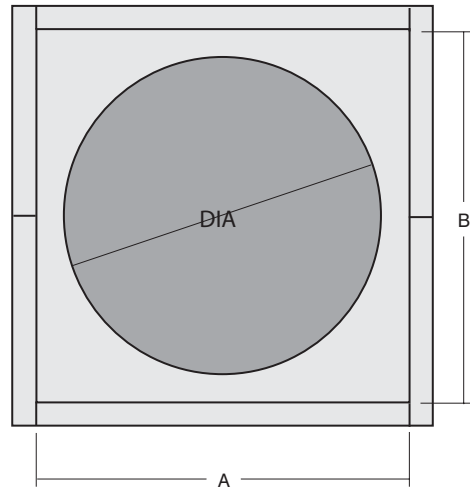
- White
- Custom Color

- Special Height

Wide Flanges

- Side
- Downslope

- Spliced Curb (2 Pieces)
- Sub Framing
- 2-1/2" Wide Mastic



Curb Schedule

Roof Panel Mfg:

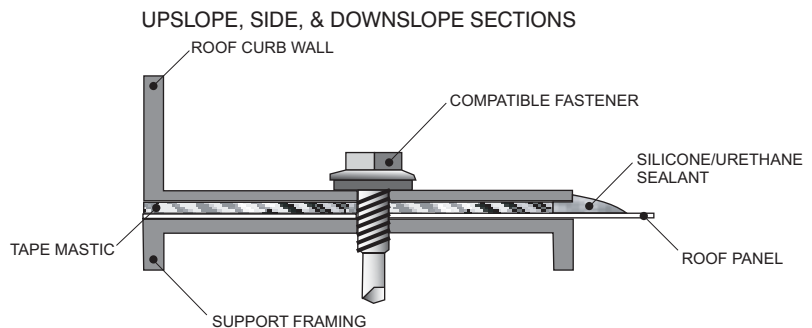
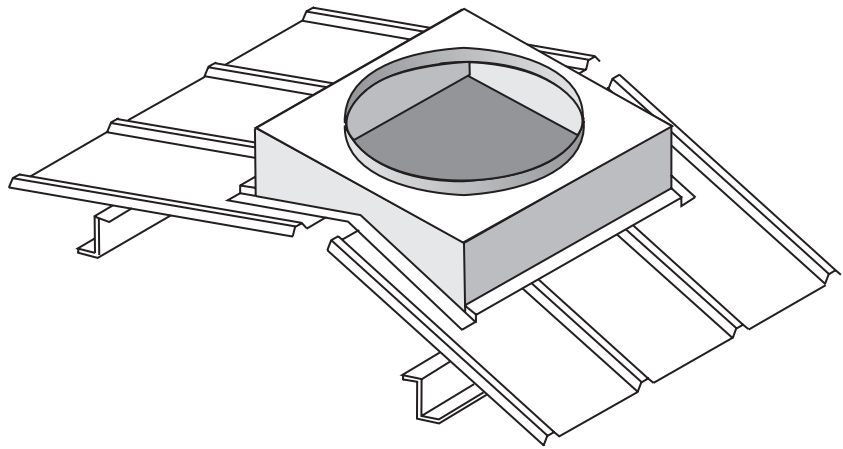
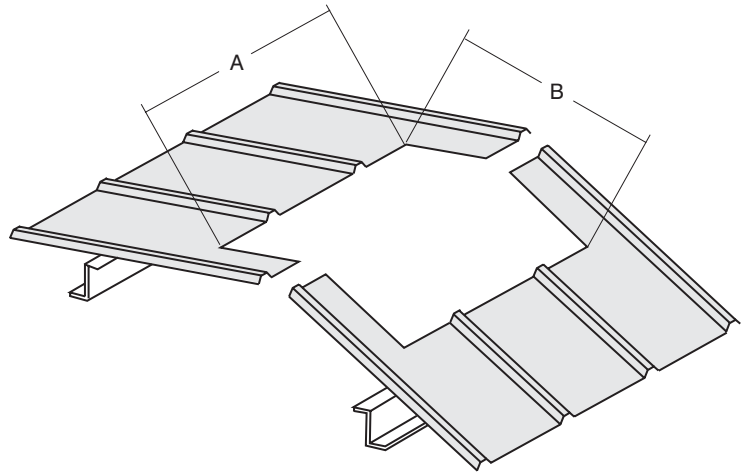
Panel Model:

MARK	QTY	MODEL	A	B	OFFSET	PITCH	GA

<p>PROJECT: LOCATION: SUBMITTED BY: DATE:</p>	<p>CONTRACTOR: ENGINEER: APPROVED BY: DATE:</p>
---	---

Model RMB9-RM-C & RMB10-RM-C Installation Details

1. Mark centerline of roof opening on a fully sheeted roof.
2. Lay out roof opening to match the curb "A" & "B" dimensions using centerline of major rib as a guide.
3. Cut roof opening using normal metal building procedures.
4. Install structural support framing to support curb and equipment loads (keep inside dimension clear). At least two parallel curb walls should be supported. Keep cantilever sections under 12".
5. Apply closures and sealant tape (or mastic) between curb and roof panel. Apply to roof panel at curb side and downslope flange locations. Use only building manufacturer's approved accessories.
6. Position curb into place over opening of roof panel.
7. Using fasteners to suit roof system, fasten curb to support structure through curb flange and roof panel. Fasteners to be located approximately 4" on center with a minimum of four fasteners per side.
8. Check installation to verify secure attachment and weather sealing. Caulk perimeter edge of curb flanges at roof panel.



ROMLA VENTILATOR COMPANY, INC.

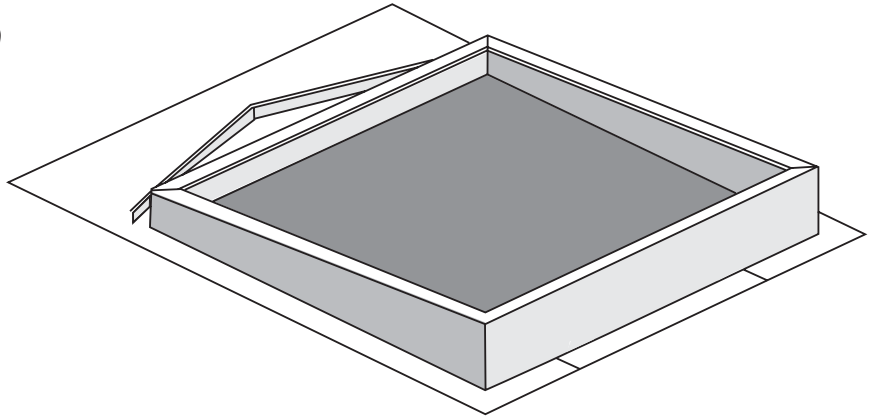
9668-D Heinrich Hertz Drive, San Diego, California 92154 Ph (619) 946-1224 Fax (619) 946-1227



**Model RMB10
Metal Building Roof Curb**

Specifications:

- 18 Gauge Aluminized Steel
- 6" Curb Height at Upslope
- 1-1/2" Wide Top Flanges
- All Welded Construction
- Upslope Flat Flange With a Water Diverter
- Downslope Flange Flat With Slotting by Others



Options:

- 16 Ga. Aluminized Steel
- 14 Ga. Aluminized Steel
- .080 Aluminum

Air Dry Enamel Finish

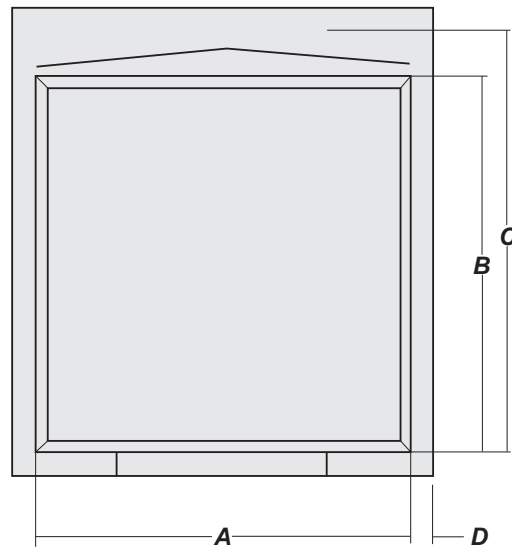
- White
- Custom Color

Special Height

- Damper Shelf/Duct Supports

Wide Flanges

- Upslope
- Side
- Downslope
- Top Cover
- Top Flange Broken Out
- Cricket in Lieu of Diverter
- Spliced Curb (2 Pieces)
- Sub Framing
- 2-1/2" Wide Mastic



Curb Schedule

MARK	QTY	MODEL	A	B	PITCH	GA

Roof Panel Mfg:

Panel Model:

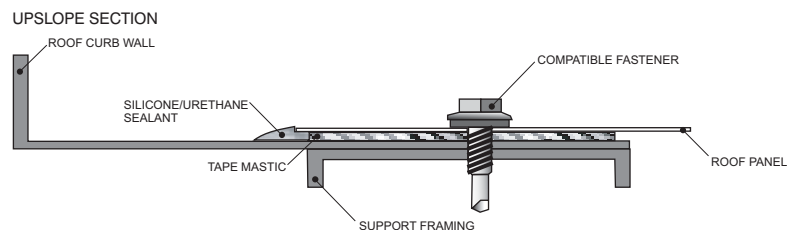
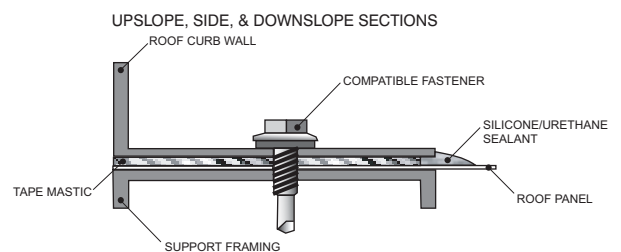
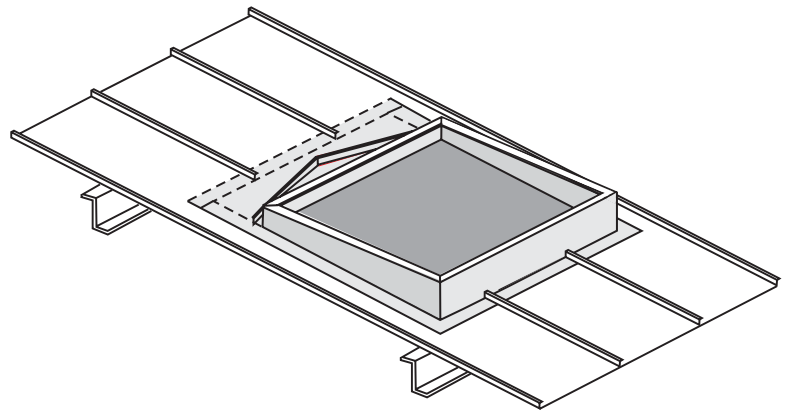
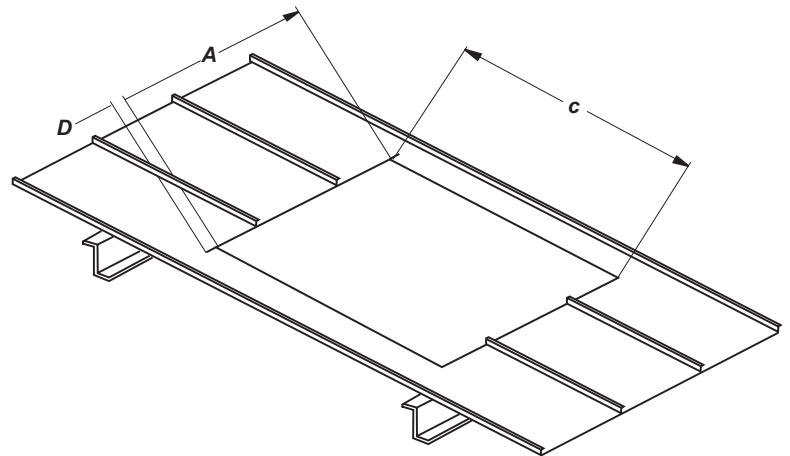
<p>PROJECT: LOCATION: SUBMITTED BY: DATE:</p>	<p>CONTRACTOR: ENGINEER: APPROVED BY: DATE:</p>
---	---

ROMLA VENTILATOR COMPANY, INC.

9668-D Heinrich Hertz Drive, San Diego, California 92154 Ph (619) 946-1224 Fax (619) 946-1227

Model RMB9 & RMB10 Installation Details

1. Mark centerline of roof opening on a fully sheeted roof.
2. Lay out roof opening to match the curb "A", "C" & "D" dimensions using centerline of major rib as a guide.
3. Cut roof opening using normal metal building procedures. Slit upslope edges of rough opening ("D") for side flange penetration at transition point.
4. Install structural support framing to support curb and equipment loads (keep inside dimension clear). At least two parallel curb walls should be supported. Keep cantilever sections under 12".
5. Apply sealant tape or mastic between curb and roof panel. Apply to roof panel at curb side and downslope flange locations. Also apply to curb upslope flange. Slot the downslope flanges where required. Use only building manufacturer's approved accessories.
6. Position curb into place over opening of roof panel. Upslope flange goes under roof panel. Side and downslope flanges go over roof panel.
7. Using fasteners to suit roof system, fasten curb to support structure through curb flange and roof panel. Fasteners to be located approximately 4" on center with a minimum of four fasteners per side.
8. Check installation to verify secure attachment and weather sealing. Caulk perimeter edge of curb flanges at roof panel.



ROMLA VENTILATOR COMPANY, INC.

9668-D Heinrich Hertz Drive, San Diego, California 92154 Ph (619) 946-1224 Fax (619) 946-1227



**Model RMB11
Metal Building Roof Curb**

Specifications:

- 18 Gauge Aluminized Steel
- 6" Curb Height at Upslope
- 1-1/2" Wide Top Flanges
- All Welded Construction
- Upslope Flat Flange With "Under" Contours (Loose) And a Diverter
- Downslope With "Over" Contours (Loose)
- 1-1/2" Thick, 3 lb. Insulation

Options:

- 16 Ga. Aluminized Steel
- 14 Ga. Aluminized Steel
- .080 Aluminum

Air Dry Enamel Finish

- White
- Custom Color

Special Height

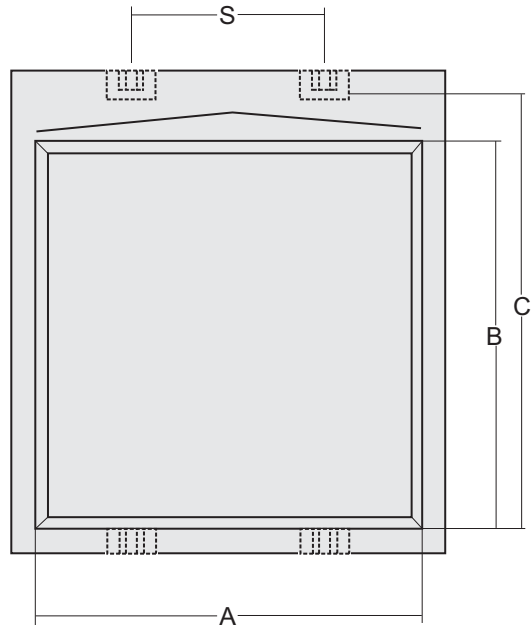
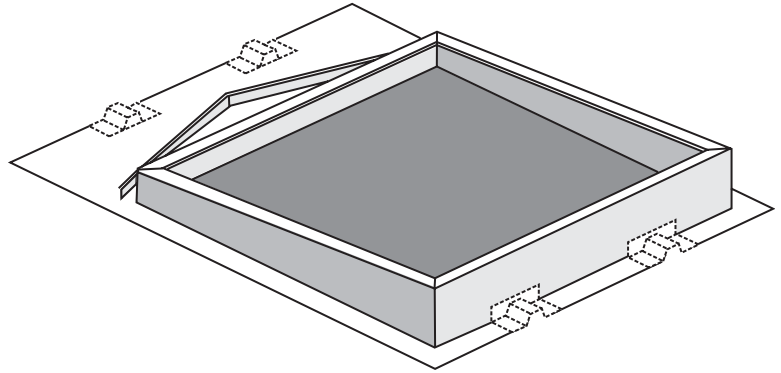
- Damper Shelf/Duct Supports
- Inside or Outside Insulation Liner

Wide Flanges

- Upslope
- Side
- Downslope
- Top Cover
- Top Flange Broken Out
- Cricket in Lieu of Diverter
- Spliced Curb (2 Pieces)
- Sub Framing
- 2-1/2" Wide Mastic

Roof Panel Mfg: _____

Panel Model: _____



Curb Schedule

MARK	QTY	MODEL	A	B	S	PITCH	GA

<p>PROJECT: LOCATION: SUBMITTED BY: DATE:</p>	<p>CONTRACTOR: ENGINEER: APPROVED BY: DATE:</p>
--	--

ROMLA VENTILATOR COMPANY, INC.

9668-D Heinrich Hertz Drive, San Diego, California 92154 Ph (619) 946-1224 Fax (619) 946-1227

Model RMB11 & RMB12 Installation Details

1. Mark centerline of roof opening on a fully sheeted roof.

2. Lay out roof opening to match the curb "A", "C" & "D" dimensions using centerline of major rib as a guide.

3. Cut roof opening using normal metal building procedures. Slit upslope edges of rough opening ("D") for side flange penetration at transition point. Make cutouts in downslope flange for rib clearance where loose "over" contours are to be placed.

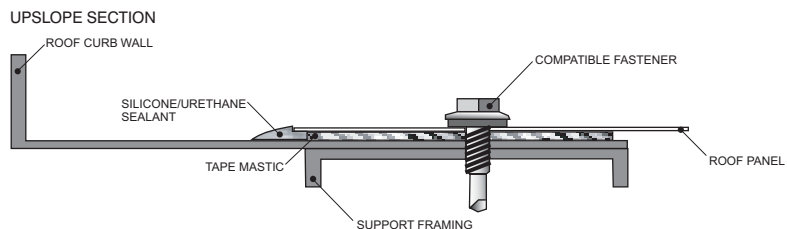
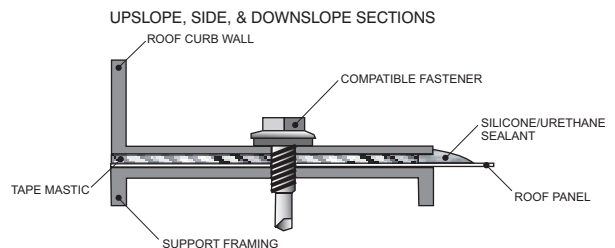
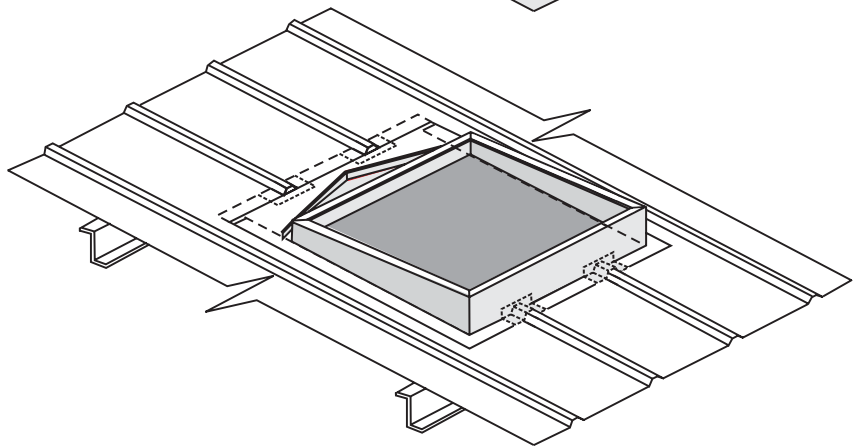
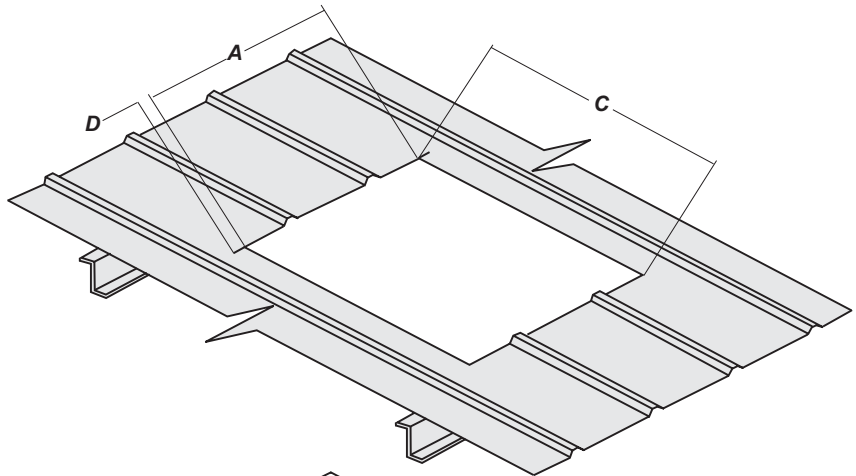
4. Install structural support framing to support curb and equipment loads (keep inside dimension clear). At least two parallel curb walls should be supported. Keep cantilever sections under 12".

5. Apply sealant tape or mastic between curb and roof panel. Apply to roof panel at curb side and downslope flange locations. Also apply to curb upslope flange. Use only building manufacturer's approved accessories.

6. Position curb into place over opening of roof panel. Upslope flange goes under roof panel. Side and downslope flanges go over roof panel. Fasten and seal loose upslope "under" contours where required at rib locations

7. Using fasteners to suit roof system, fasten curb to support structure through curb flange and roof panel. Fasteners to be located approximately 4" on center with a minimum of four fasteners per side.

8. Check installation to verify secure attachment and weather sealing. Caulk perimeter edge of curb flanges at roof panel.



ROMLA VENTILATOR COMPANY, INC.

9668-D Heinrich Hertz Drive, San Diego, California 92154 Ph (619) 946-1224 Fax (619) 946-1227



**Model RMB11-C
Metal Building Roof Curb**

Specifications:

- 18 Gauge Aluminized Steel
- 6" Curb Height at Upslope
- Collar Flashing - 3" High
- All Welded Construction
- Upslope Flat Flange With "Under" Contours (Loose) And a Diverter
- Downslope With "Over" Contours (Loose)
- 1-1/2" Thick, 3 lb. Insulation

Options:

- 16 Ga. Aluminized Steel
- 14 Ga. Aluminized Steel
- .080 Aluminum

Air Dry Enamel Finish

- White
- Custom Color

Special Height

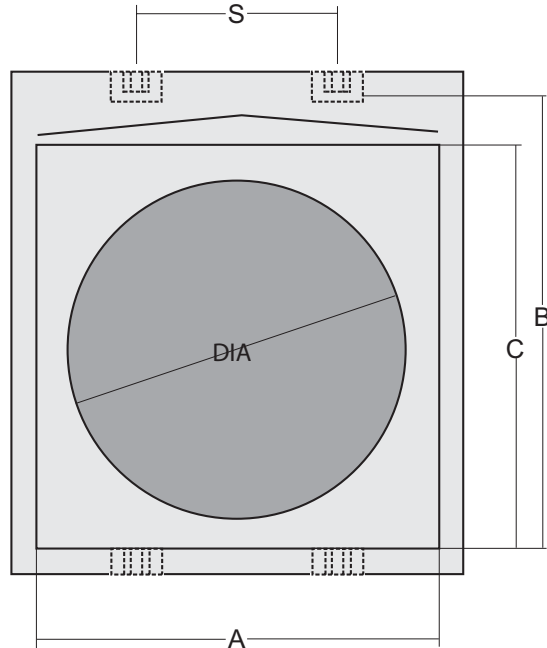
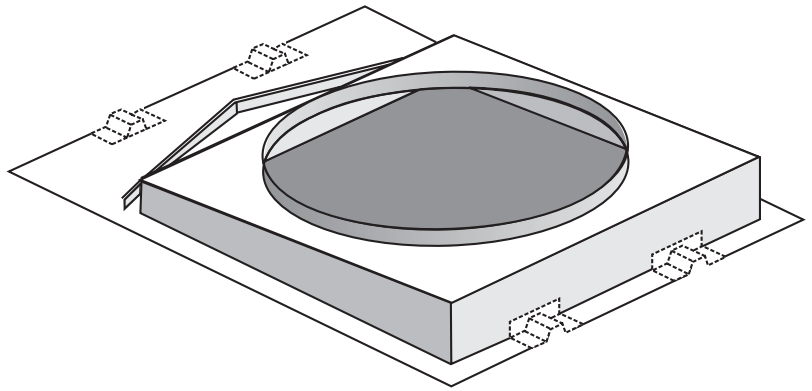
- Damper Shelf/Duct Supports
- Inside or Outside Insulation Liner

Wide Flanges

- Upslope
- Side
- Downslope
- Top Cover
- Top Flange Broken Out
- Cricket in Lieu of Diverter
- Spliced Curb (2 Pieces)
- Sub Framing
- 2-1/2" Wide Mastic

Roof Panel Mfg:

Panel Model:



Curb Schedule

MARK	QTY	MODEL	A	B	S	PITCH	GA

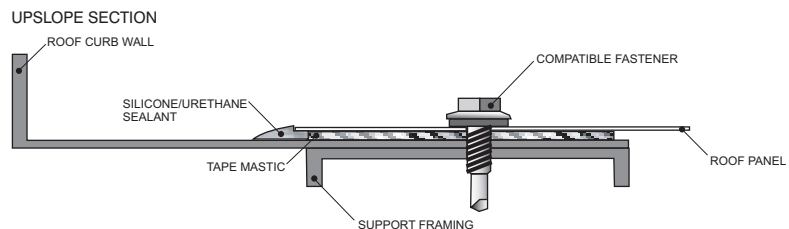
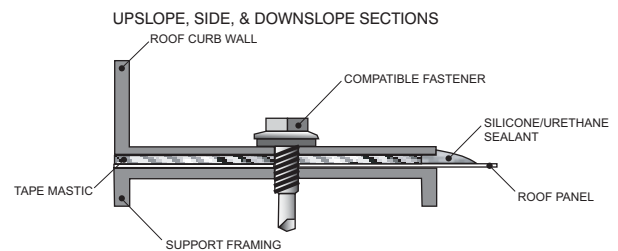
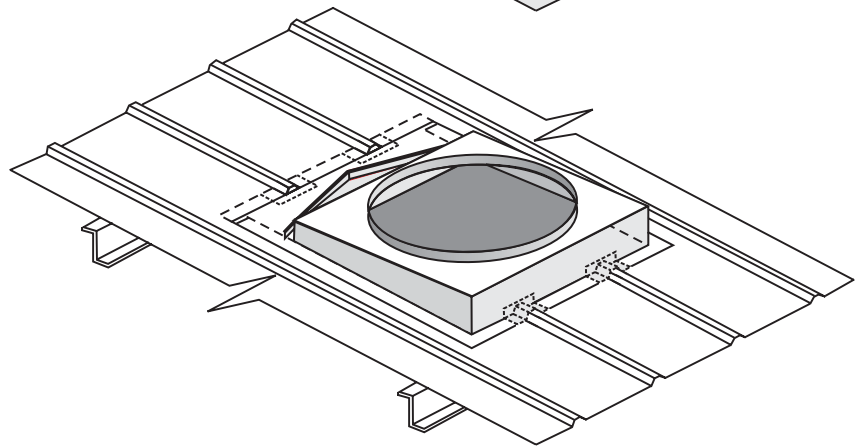
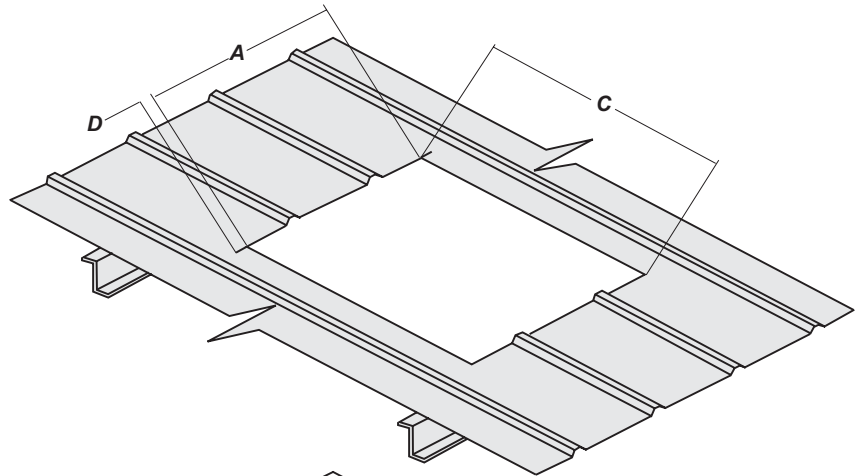
<p>PROJECT: LOCATION: SUBMITTED BY: DATE:</p>	<p>CONTRACTOR: ENGINEER: APPROVED BY: DATE:</p>
--	--

ROMLA VENTILATOR COMPANY, INC.

9668-D Heinrich Hertz Drive, San Diego, California 92154 Ph (619) 946-1224 Fax (619) 946-1227

Model RMB11-C & RMB12-C Installation Details

1. Mark centerline of roof opening on a fully sheeted roof.
2. Lay out roof opening to match the curb "A", "C" & "D" dimensions using centerline of major rib as a guide.
3. Cut roof opening using normal metal building procedures. Slit upslope edges of rough opening ("D") for side flange penetration at transition point. Make cutouts in downslope flange for rib clearance where loose "over" contours are to be placed.
4. Install structural support framing to support curb and equipment loads (keep inside dimension clear). At least two parallel curb walls should be supported. Keep cantilever sections under 12".
5. Apply sealant tape or mastic between curb and roof panel. Apply to roof panel at curb side and downslope flange locations. Also apply to curb upslope flange. Use only building manufacturer's approved accessories.
6. Position curb into place over opening of roof panel. Upslope flange goes under roof panel. Side and downslope flanges go over roof panel. Fasten and seal loose upslope "under" contours where required at rib locations.
7. Using fasteners to suit roof system, fasten curb to support structure through curb flange and roof panel. Fasteners to be located approximately 4" on center with a minimum of four fasteners per side.
8. Check installation to verify secure attachment and weather sealing. Caulk perimeter edge of curb flanges at roof panel.



ROMLA VENTILATOR COMPANY, INC.

9668-D Heinrich Hertz Drive, San Diego, California 92154 Ph (619) 946-1224 Fax (619) 946-1227



**Model RMB11-C
Metal Building Roof Curb**

Specifications:

- 18 Gauge Aluminized Steel
- 6" Curb Height at Upslope
- Collar Flashing - 3" High
- All Welded Construction
- Upslope Flat Flange With "Under" Contours (Loose) And a Diverter
- Downslope With "Over" Contours (Loose)
- 1-1/2" Thick, 3 lb. Insulation

Options:

- 16 Ga. Aluminized Steel
- 14 Ga. Aluminized Steel
- .080 Aluminum

Air Dry Enamel Finish

- White
- Custom Color

Special Height

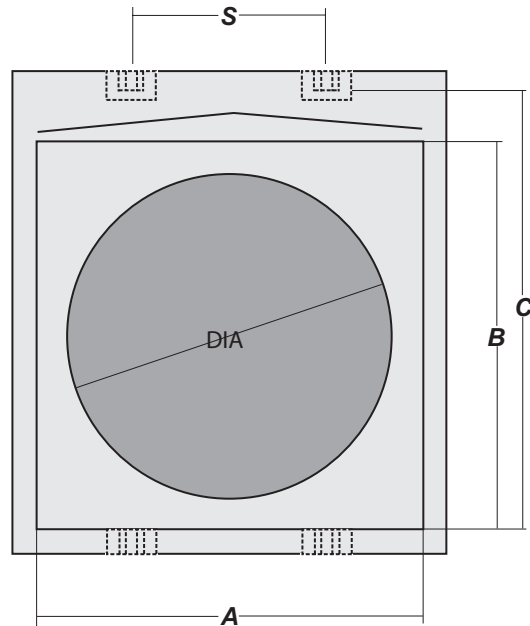
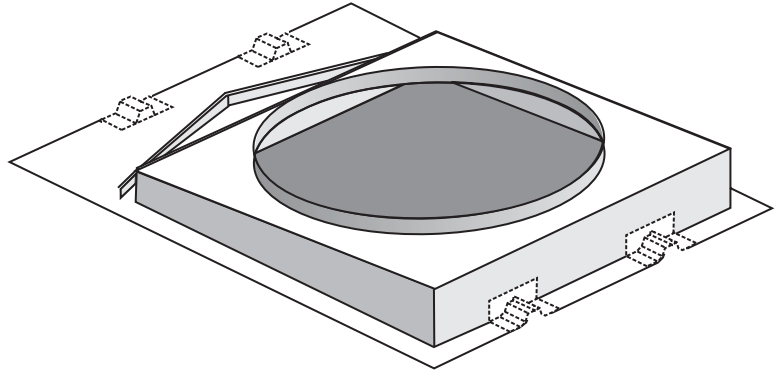
- Damper Shelf/Duct Supports
- Inside or Outside Insulation Liner

Wide Flanges

- Upslope
- Side
- Downslope
- Top Cover
- Top Flange Broken Out
- Cricket in Lieu of Diverter
- Spliced Curb (2 Pieces)
- Sub Framing
- 2-1/2" Wide Mastic

Roof Panel Mfg:

Panel Model:



Curb Schedule

MARK	QTY	MODEL	A	B	S	PITCH	GA

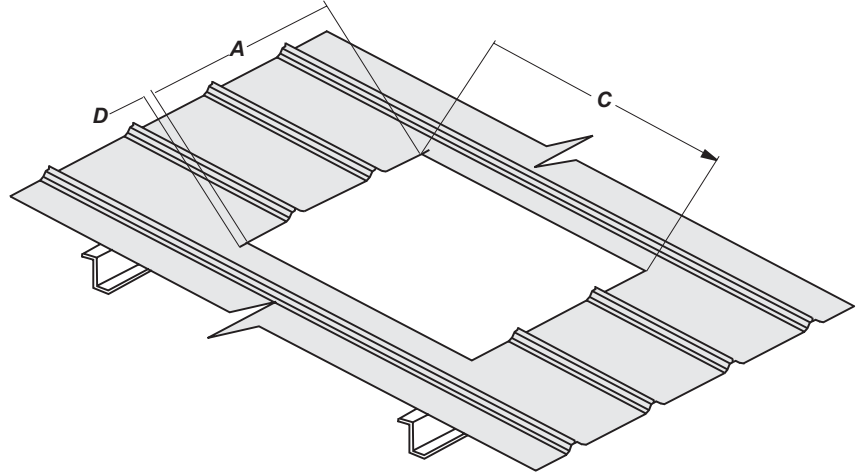
<p>PROJECT: LOCATION: SUBMITTED BY: DATE:</p>	<p>CONTRACTOR: ENGINEER: APPROVED BY: DATE:</p>
---	---

ROMLA VENTILATOR COMPANY, INC.

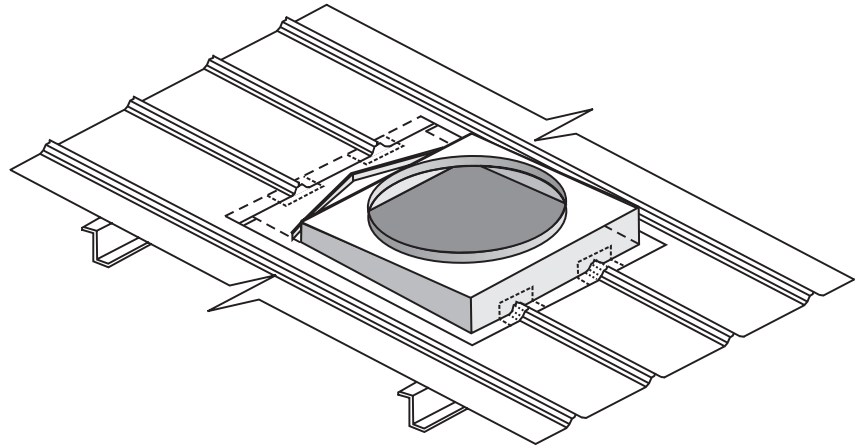
9668-D Heinrich Hertz Drive, San Diego, California 92154 Ph (619) 946-1224 Fax (619) 946-1227

Model RMB11-C & RMB12-C Installation Details

1. Mark centerline of roof opening on a fully sheeted roof.
2. Lay out roof opening to match the curb "A", "C" & "D" dimensions using centerline of major rib as a guide.
3. Cut roof opening using normal metal building procedures. Slit upslope edges of rough opening ("D") for side flange penetration at transition point. Make cutouts in downslope flange for rib clearance where loose "over" contours are to be placed.



4. Install structural support framing to support curb and equipment loads (keep inside dimension clear). At least two parallel curb walls should be supported. Keep cantilever sections under 12".

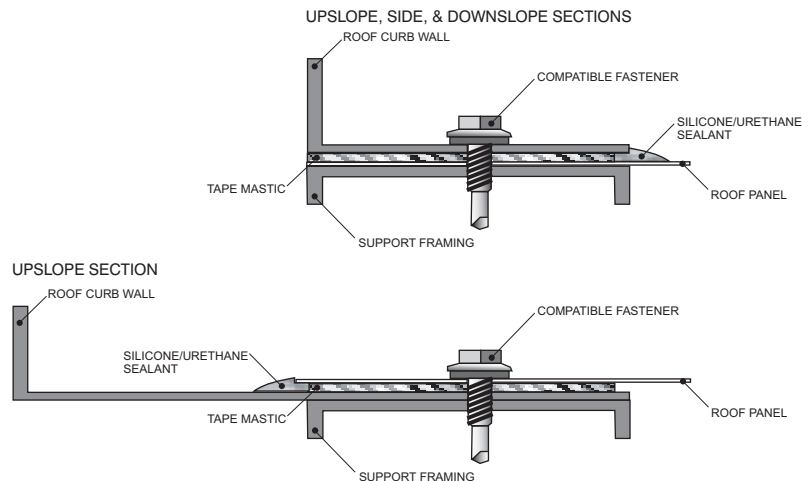


5. Apply sealant tape or mastic between curb and roof panel. Apply to roof panel at curb side and downslope flange locations. Also apply to curb upslope flange. Use only building manufacturer's approved accessories.

6. Position curb into place over opening of roof panel. Upslope flange goes under roof panel. Side and downslope flanges go over roof panel. Fasten and seal loose upslope "under" contours where required at rib locations

7. Using fasteners to suit roof system, fasten curb to support structure through curb flange and roof panel. Fasteners to be located approximately 4" on center with a minimum of four fasteners per side.

8. Check installation to verify secure attachment and weather sealing. Caulk perimeter edge of curb flanges at roof panel.



ROMLA VENTILATOR COMPANY, INC.

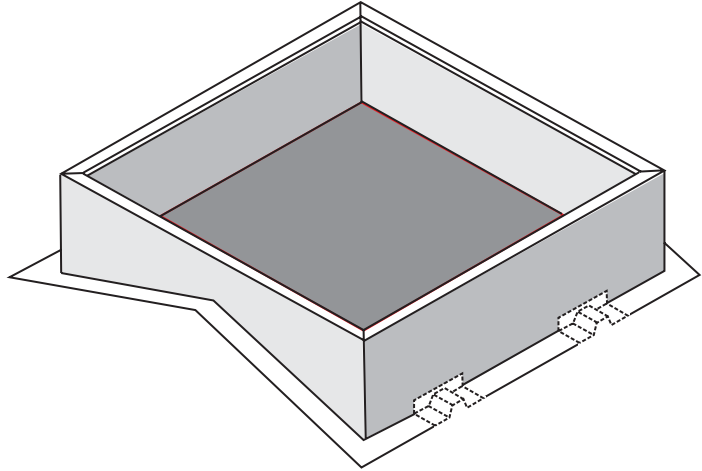
9668-D Heinrich Hertz Drive, San Diego, California 92154 Ph (619) 946-1224 Fax (619) 946-1227



**Type RMB11-RM
Metal Building Roof Curb**

Specifications:

- 18 Gauge Aluminized Steel
- 6" Minimum Curb Height at Ridge
- 1-1/2" Wide Top Flanges
- All Welded Construction
- Downslope Flanges With "Over" Contours Shipped Loose For Field Installation
- 1-1/2" Thick, 3lb Insulation



Options:

- 16 Ga. Aluminized Steel
- 14 Ga. Aluminized Steel
- .080 Aluminum

Air Dry Enamel Finish

- White
- Custom Color

- Special Height
- Damper Shelf/Duct Supports
- Inside or Outside Insulation Liner

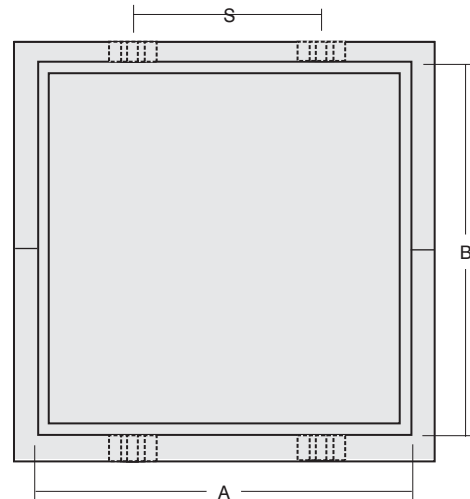
Wide Flanges

- Side
- Downslope

- Top Cover
- Top Flange Broken Out
- Spliced Curb (2 Pieces)
- Sub Framing
- 2-1/2" Wide Mastic

Roof Panel Mfg: _____

Panel Model: _____



Curb Schedule

MARK	QTY	MODEL	A	B	S	PITCH	GA

<p>PROJECT: LOCATION: SUBMITTED BY: DATE:</p>	<p>CONTRACTOR: ENGINEER: APPROVED BY: DATE:</p>
---	---

Model RMB11-RM & RMB12-RM Installation Details

1. Mark centerline of roof opening on a fully sheeted roof.

2. Lay out roof opening to match the curb "A" & "B" dimensions using centerline of major rib as a guide.

3. Cut roof opening using normal metal building procedures. Make cutouts in downslope flanges for rib clearance where loose "over" contours are to be placed.

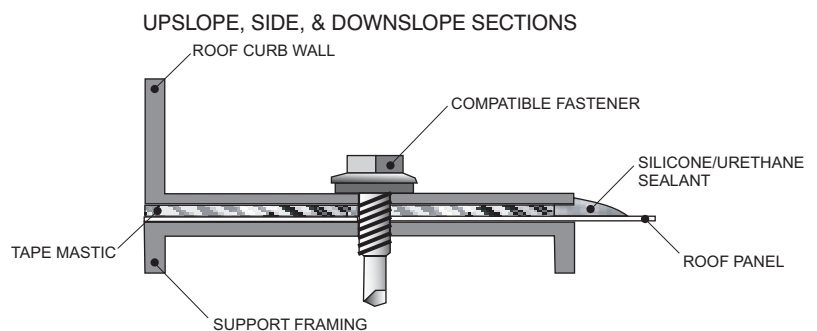
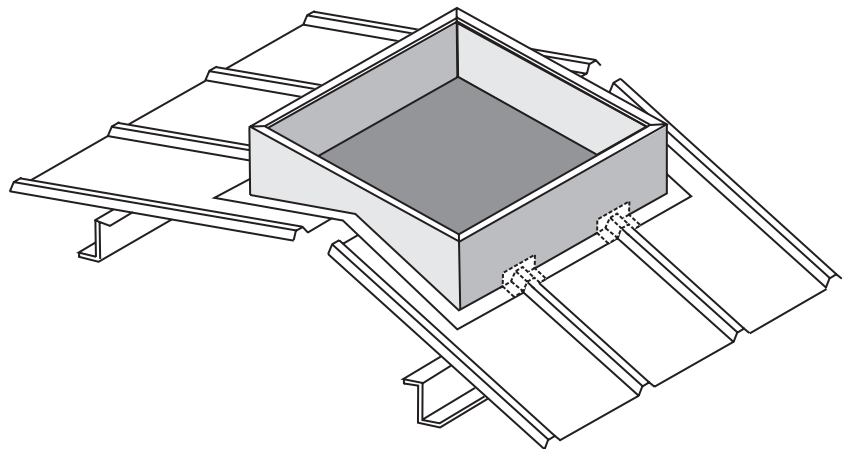
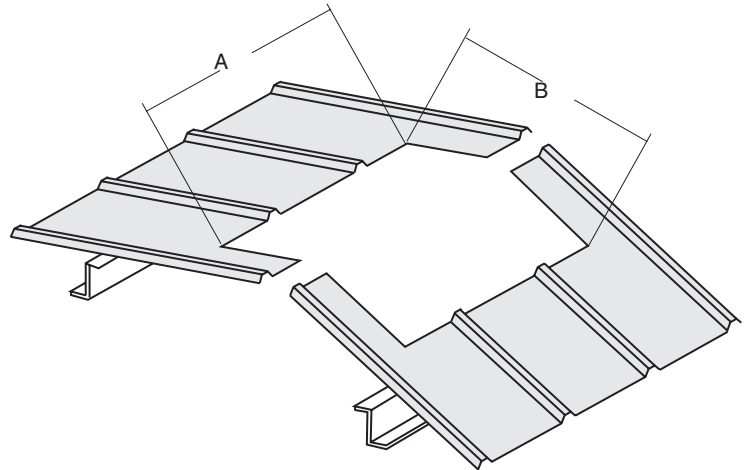
4. Install structural support framing to support curb and equipment loads (keep inside dimension clear). At least two parallel curb walls should be supported. Keep cantilever sections under 12".

5. Apply sealant tape or mastic between curb and roof panel. Apply to roof panel at curb side and downslope flange locations. Use only building manufacturer's approved accessories.

6. Position curb into place over opening of roof panel. Side and downslope flanges go over roof panel. Fasten and seal loose "over" contours where required at rib locations.

7. Using fasteners to suit roof system, fasten curb to support structure through curb flange and roof panel. Fasteners to be located approximately 4" on center with a minimum of four fasteners per side.

8. Check installation to verify secure attachment and weather sealing. Caulk perimeter edge of curb flanges at roof panel.



ROMLA VENTILATOR COMPANY, INC.

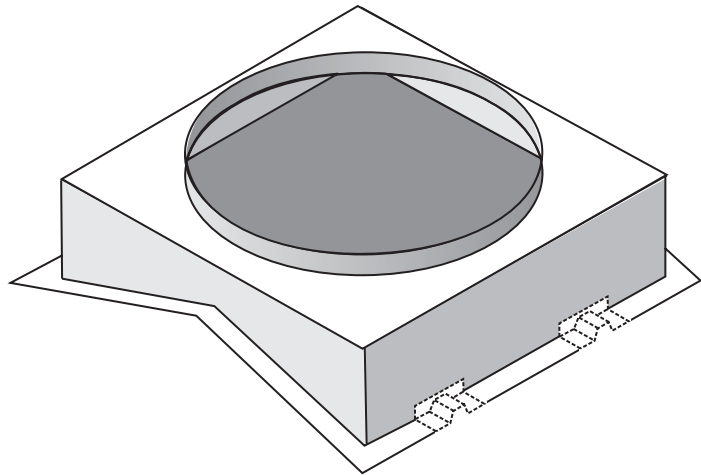
9668-D Heinrich Hertz Drive, San Diego, California 92154 Ph (619) 946-1224 Fax (619) 946-1227



**Type RMB11-RM-C
Metal Building Roof Curb**

Specifications:

- 18 Gauge Aluminized Steel
- 6" Minimum Curb Height at Ridge
- 1-1/2" Wide Top Flanges
- All Welded Construction
- Downslope Flanges With "Over" Contours Shipped Loose For Field Installation
- 1-1/2" Thick, 3lb Insulation



Options:

- 16 Ga. Aluminized Steel
- 14 Ga. Aluminized Steel
- .080 Aluminum

Air Dry Enamel Finish

- White
- Custom Color

Special Height

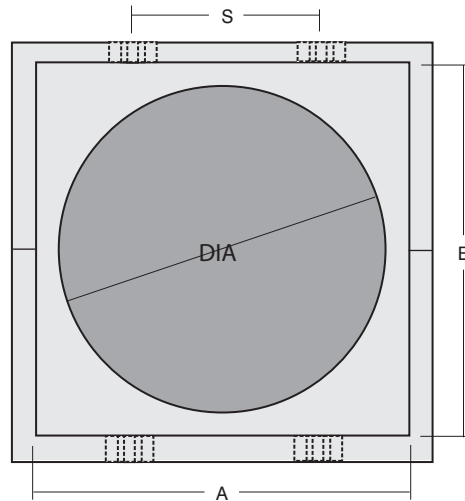
- Inside or Outside Insulation Liner

Wide Flanges

- Side
- Downslope

Spliced Curb (2 Pieces)

- Sub Framing
- 2-1/2" Wide Mastic



Curb Schedule

MARK	QTY	MODEL	A	B	S	PITCH	GA

Roof Panel Mfg:

Panel Model:

PROJECT:
LOCATION:
SUBMITTED BY:
DATE:

CONTRACTOR:
ENGINEER:
APPROVED BY:
DATE:

ROMLA VENTILATOR COMPANY, INC.

9668-D Heinrich Hertz Drive, San Diego, California 92154 Ph (619) 946-1224 Fax (619) 946-1227

Model RMB11-RM-C & RMB12-RM-C Installation Details

1. Mark centerline of roof opening on a fully sheeted roof.

2. Lay out roof opening to match the curb "A" & "B" dimensions using centerline of major rib as a guide.

3. Cut roof opening using normal metal building procedures. Make cutouts in downslope flanges for rib clearance where loose "over" contours are to be placed.

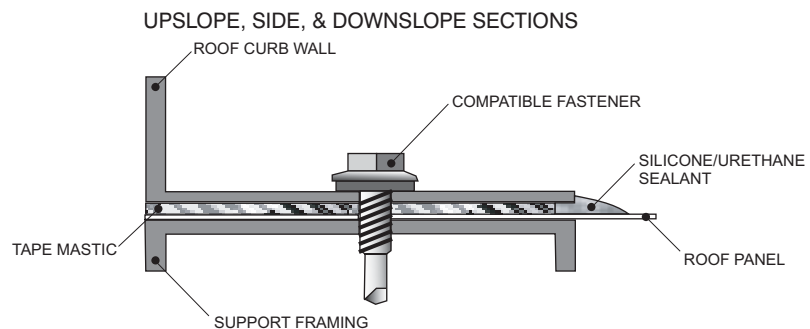
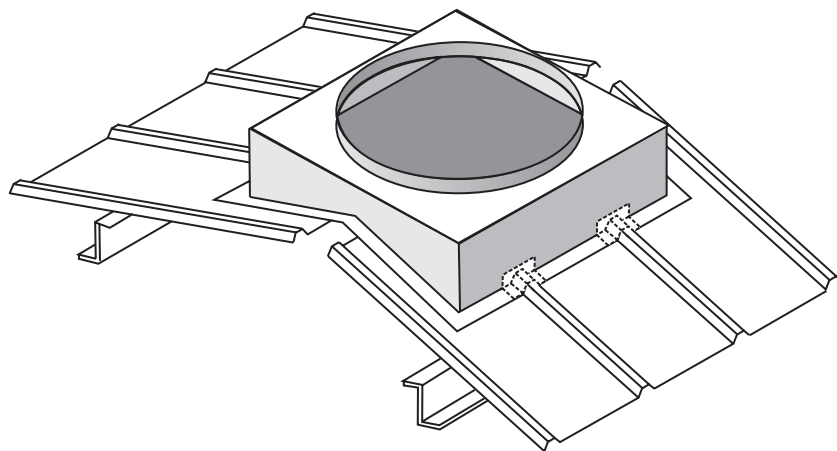
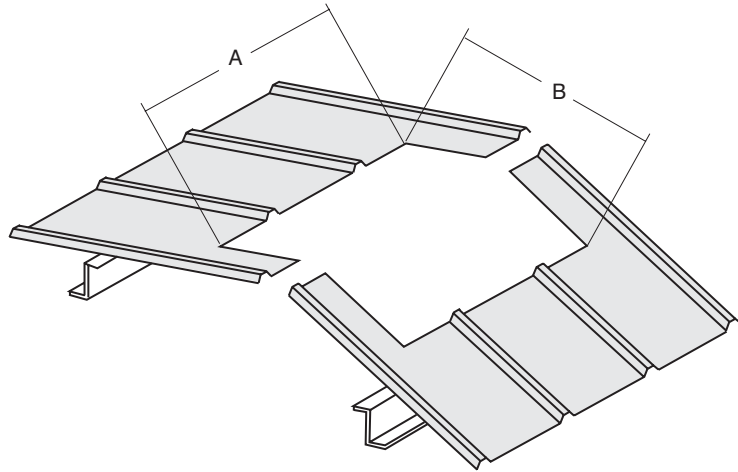
4. Install structural support framing to support curb and equipment loads (keep inside dimension clear). At least two parallel curb walls should be supported. Keep cantilever sections under 12".

5. Apply sealant tape or mastic between curb and roof panel. Apply to roof panel at curb side and downslope flange locations. Use only building manufacturer's approved accessories.

6. Position curb into place over opening of roof panel. Side and downslope flanges go over roof panel. Fasten and seal loose "over" contours where required at rib locations.

7. Using fasteners to suit roof system, fasten curb to support structure through curb flange and roof panel. Fasteners to be located approximately 4" on center with a minimum of four fasteners per side.

8. Check installation to verify secure attachment and weather sealing. Caulk perimeter edge of curb flanges at roof panel.



ROMLA VENTILATOR COMPANY, INC.

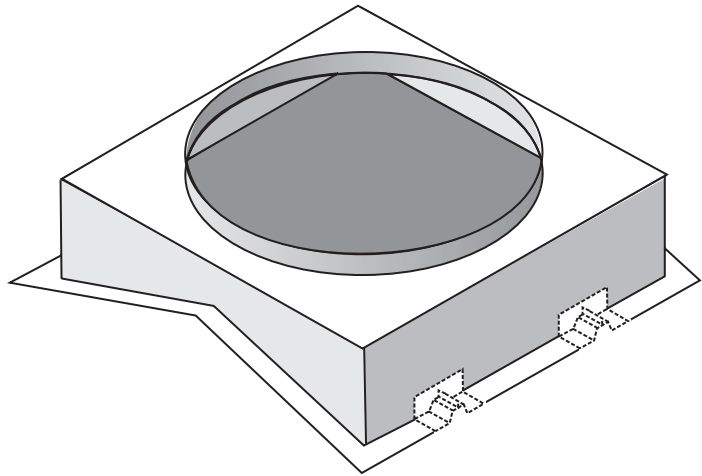
9668-D Heinrich Hertz Drive, San Diego, California 92154 Ph (619) 946-1224 Fax (619) 946-1227



**Type RMB11-RM-C
Metal Building Roof Curb**

Specifications:

- 18 Gauge Aluminized Steel
- 6" Minimum Curb Height at Ridge
- 1-1/2" Wide Top Flanges
- All Welded Construction
- Downslope Flanges With "Over" Contours Shipped Loose For Field Installation
- 1-1/2" Thick, 3lb Insulation



Options:

- 16 Ga. Aluminized Steel
- 14 Ga. Aluminized Steel
- .080 Aluminum

Air Dry Enamel Finish

- White
- Custom Color

Special Height

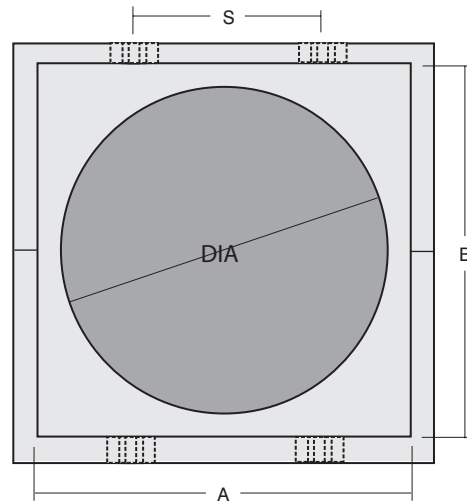
- Inside or Outside Insulation Liner

Wide Flanges

- Side
- Downslope

Spliced Curb (2 Pieces)

- Sub Framing
- 2-1/2" Wide Mastic



Curb Schedule

MARK	QTY	MODEL	A	B	S	PITCH	GA

Roof Panel Mfg:

Panel Model:

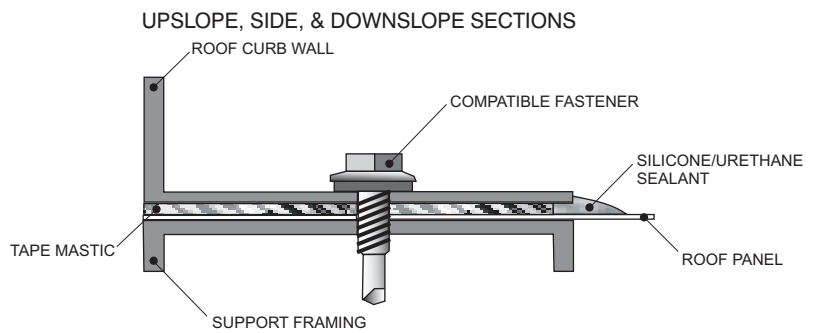
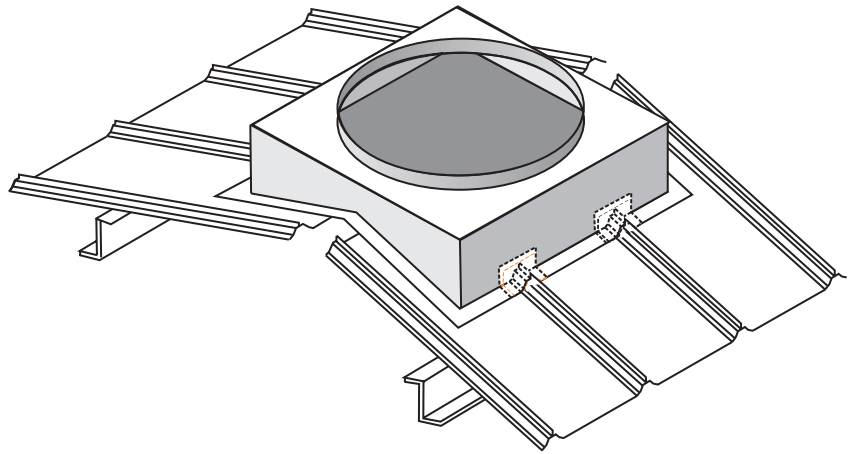
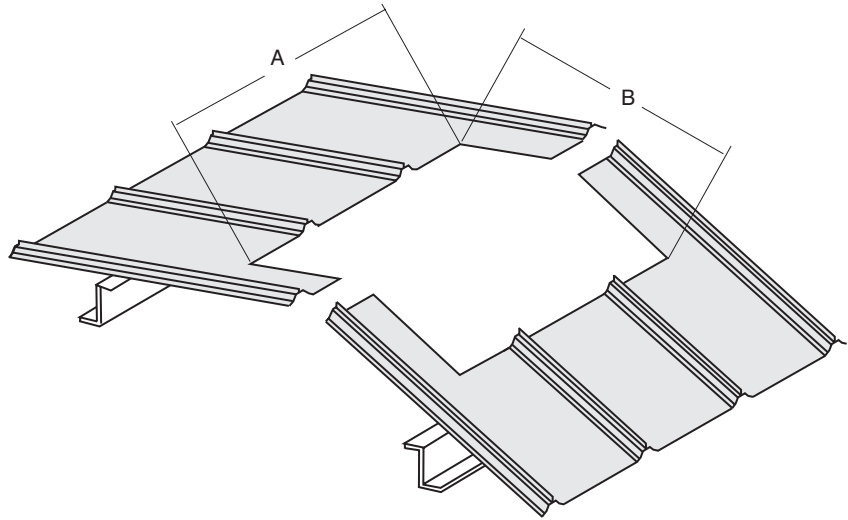
PROJECT:
LOCATION:
SUBMITTED BY:
DATE:

CONTRACTOR:
ENGINEER:
APPROVED BY:
DATE:

ROMLA VENTILATOR COMPANY, INC.

9668-D Heinrich Hertz Drive, San Diego, California 92154 Ph (619) 946-1224 Fax (619) 946-1227

Model RMB11-RM-C & RMB12-RM-C Installation Details



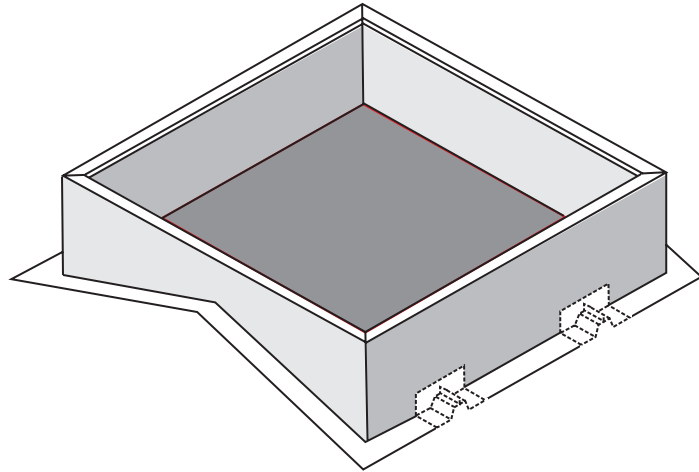
ROMLA VENTILATOR COMPANY, INC.
9668-D Heinrich Hertz Drive, San Diego, California 92154 Ph (619) 946-1224 Fax (619) 946-1227



**Type RMB11-RM
Metal Building Roof Curb**

Specifications:

- 18 Gauge Aluminized Steel
- 6" Minimum Curb Height at Ridge
- 1-1/2" Wide Top Flanges
- All Welded Construction
- Downslope Flanges With "Over" Contours Shipped Loose For Field Installation
- 1-1/2" Thick, 3lb Insulation



Options:

- 16 Ga. Aluminized Steel
- 14 Ga. Aluminized Steel
- .080 Aluminum

Air Dry Enamel Finish

- White
- Custom Color

- Special Height
- Damper Shelf/Duct Supports
- Inside or Outside Insulation Liner

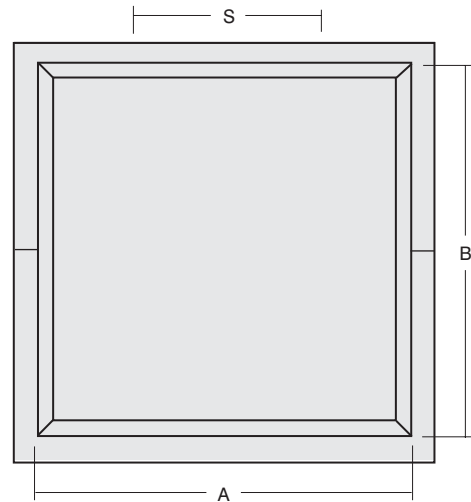
Wide Flanges

- Side
- Downslope

- Top Cover
- Top Flange Broken Out
- Spliced Curb (2 Pieces)
- Sub Framing
- 2-1/2" Wide Mastic

Roof Panel Mfg:

Panel Model:

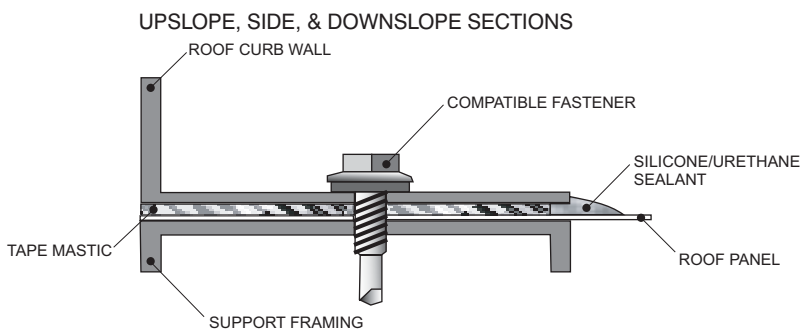
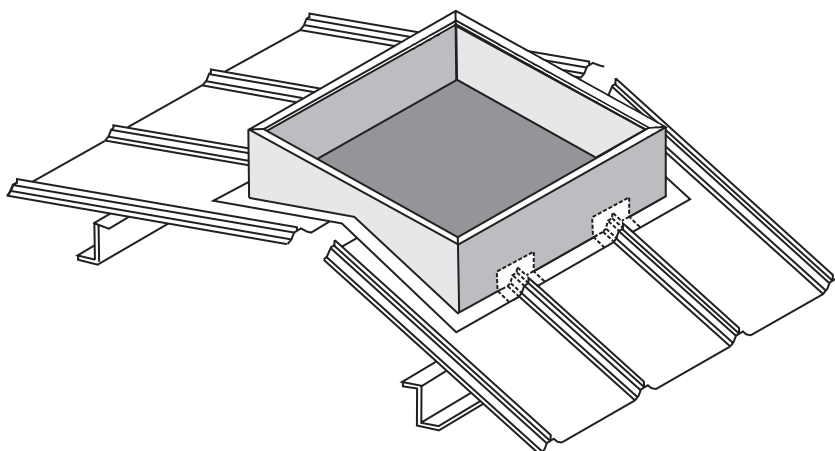
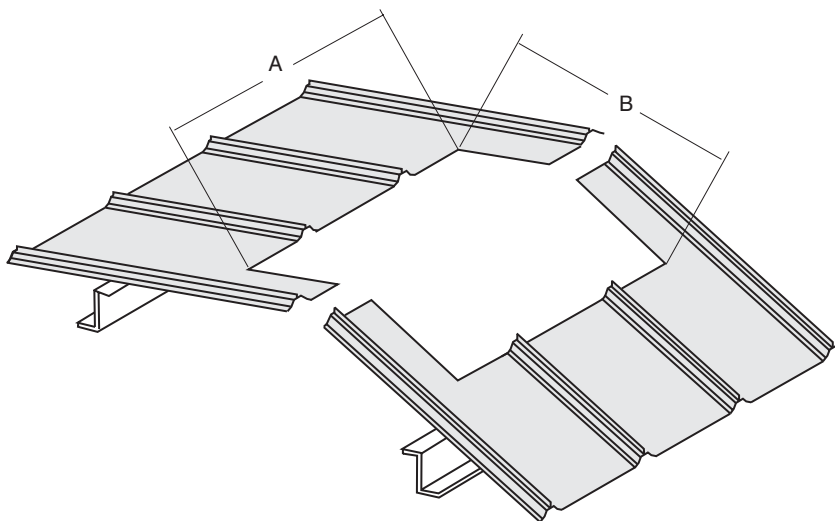


Curb Schedule

MARK	QTY	MODEL	A	B	S	PITCH	GA

<p>PROJECT: LOCATION: SUBMITTED BY: DATE:</p>	<p>CONTRACTOR: ENGINEER: APPROVED BY: DATE:</p>
---	---

Model RMB11-RM & RMB12-RM Installation Details



ROMLA VENTILATOR COMPANY, INC.
9668-D Heinrich Hertz Drive, San Diego, California 92154 Ph (619) 946-1224 Fax (619) 946-1227



**Model RMB11
Metal Building Roof Curb**

Specifications:

- 18 Gauge Aluminized Steel
- 6" Curb Height at Upslope
- 1-1/2" Wide Top Flanges
- All Welded Construction
- Upslope Flat Flange With "Under" Contours (Loose) And a Diverter
- Downslope With "Over" Contours (Loose)
- 1-1/2" Thick, 3 lb. Insulation

Options:

- 16 Ga. Aluminized Steel
- 14 Ga. Aluminized Steel
- .080 Aluminum

Air Dry Enamel Finish

- White
- Custom Color

Special Height

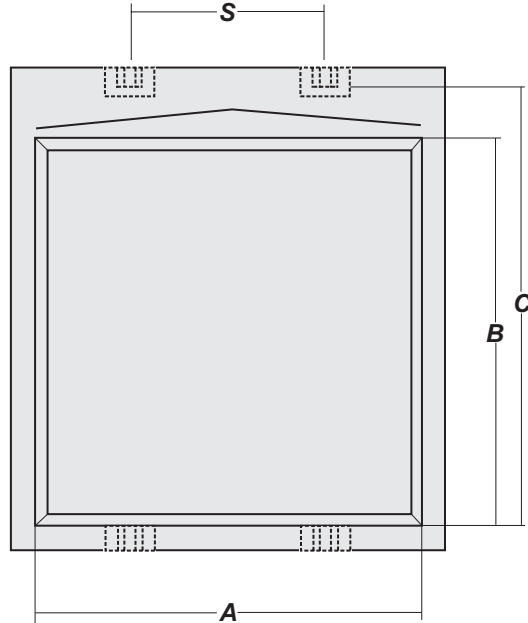
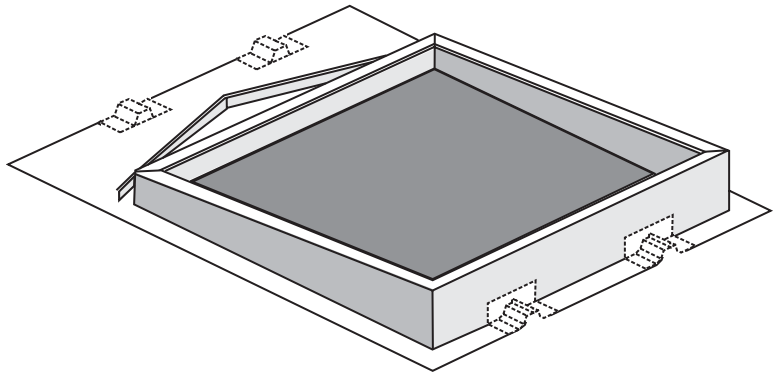
- Damper Shelf/Duct Supports
- Inside or Outside Insulation Liner

Wide Flanges

- Upslope
- Side
- Downslope
- Top Cover
- Top Flange Broken Out
- Cricket in Lieu of Diverter
- Spliced Curb (2 Pieces)
- Sub Framing
- 2-1/2" Wide Mastic

Roof Panel Mfg:

Panel Model:



Curb Schedule

MARK	QTY	MODEL	A	B	S	PITCH	GA

<p>PROJECT:</p> <p>LOCATION:</p> <p>SUBMITTED BY:</p> <p>DATE:</p>	<p>CONTRACTOR:</p> <p>ENGINEER:</p> <p>APPROVED BY:</p> <p>DATE:</p>
--	--

ROMLA VENTILATOR COMPANY, INC.

9668-D Heinrich Hertz Drive, San Diego, California 92154 Ph (619) 946-1224 Fax (619) 946-1227

Model RMB11 & RMB12 Installation Details

1. Mark centerline of roof opening on a fully sheeted roof.

2. Lay out roof opening to match the curb "A" & "B" dimensions using centerline of major rib as a guide.

3. Cut roof opening using normal metal building procedures. Make cutouts in downslope flanges for rib clearance where loose "over" contours are to be placed.

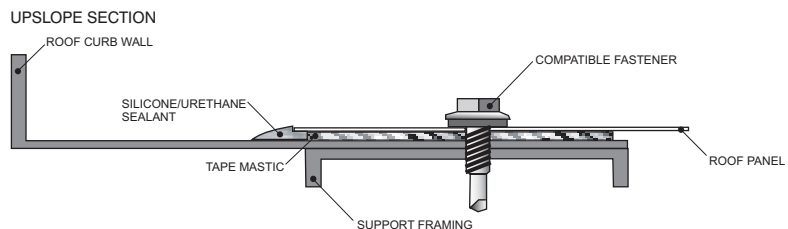
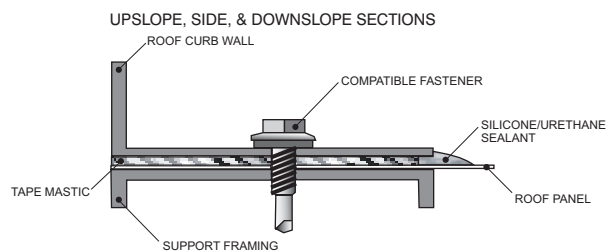
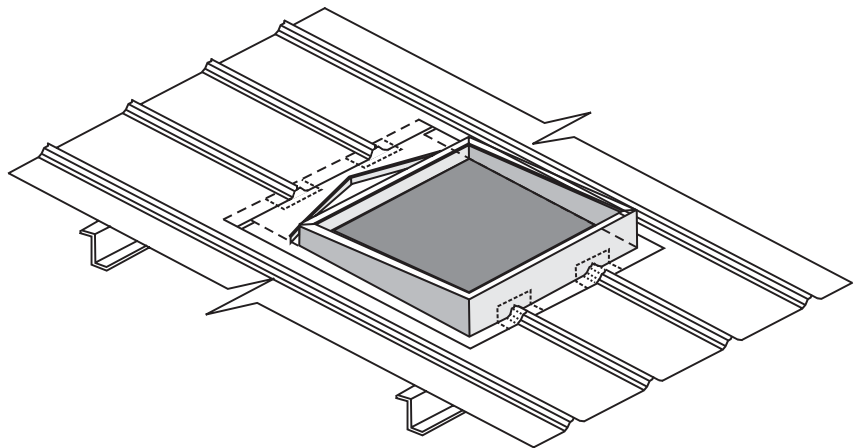
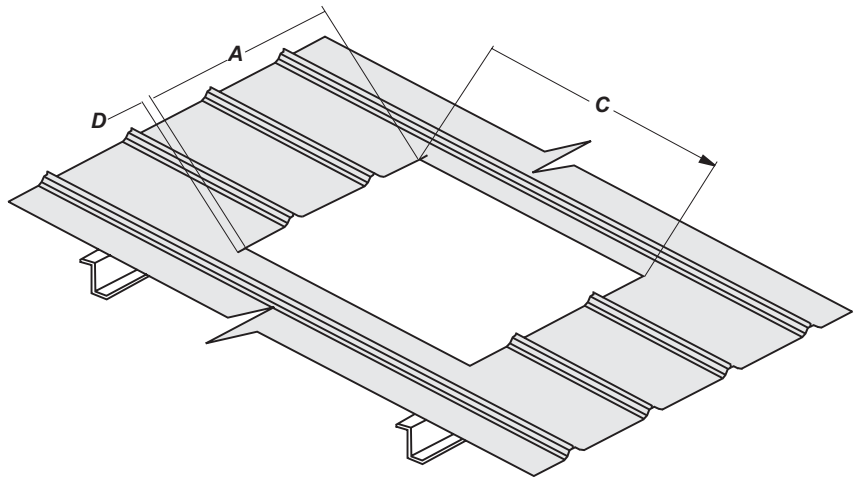
4. Install structural support framing to support curb and equipment loads (keep inside dimension clear). At least two parallel curb walls should be supported. Keep cantilever sections under 12".

5. Apply sealant tape or mastic between curb and roof panel. Apply to roof panel at curb side and downslope flange locations. Use only building manufacturer's approved accessories.

6. Position curb into place over opening of roof panel. Side and downslope flanges go over roof panel. Fasten and seal loose "over" contours where required at rib locations.

7. Using fasteners to suit roof system, fasten curb to support structure through curb flange and roof panel. Fasteners to be located approximately 4" on center with a minimum of four fasteners per side.

8. Check installation to verify secure attachment and weather sealing. Caulk perimeter edge of curb flanges at roof panel.



ROMLA VENTILATOR COMPANY, INC.

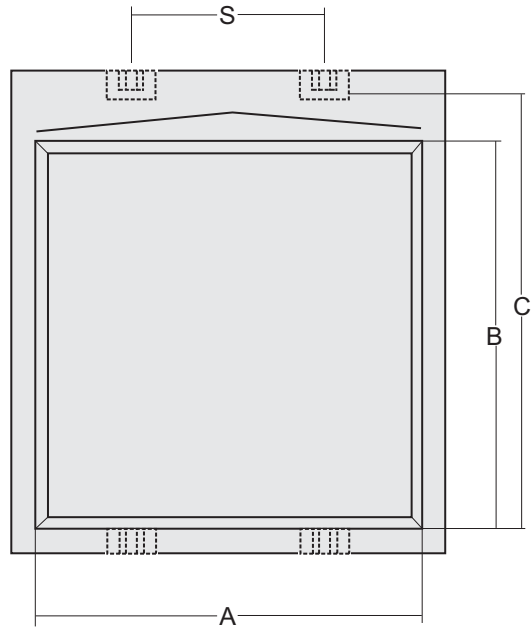
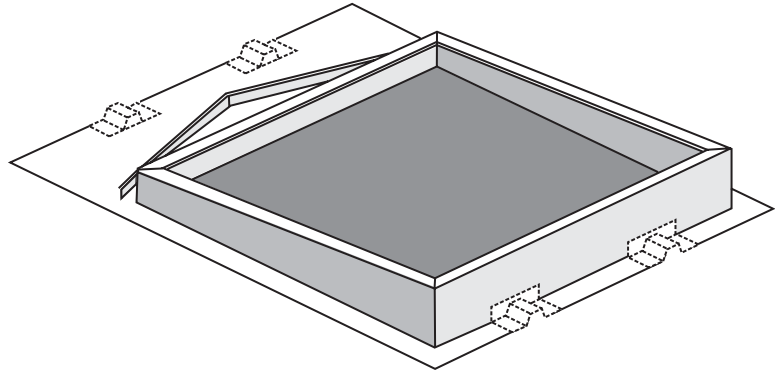
9668-D Heinrich Hertz Drive, San Diego, California 92154 Ph (619) 946-1224 Fax (619) 946-1227



**Model RMB12
Metal Building Roof Curb**

Specifications:

- 18 Gauge Aluminized Steel
- 6" Curb Height at Upslope
- 1-1/2" Wide Top Flanges
- All Welded Construction
- Upslope Flat Flange With "Under" Contours (Loose) And a Diverter
- Downslope With "Over" Contours (Loose)



Options:

- 16 Ga. Aluminized Steel
- 14 Ga. Aluminized Steel
- .080 Aluminum

Air Dry Enamel Finish

- White
- Custom Color

Special Height

- Damper Shelf/Duct Supports

Wide Flanges

- Upslope
- Side
- Downslope
- Top Cover
- Top Flange Broken Out
- Cricket in Lieu of Diverter
- Spliced Curb (2 Pieces)
- Sub Framing
- 2-1/2" Wide Mastic

Roof Panel Mfg:

Panel Model:

Curb Schedule

MARK	QTY	MODEL	A	B	S	PITCH	GA

<p>PROJECT: LOCATION: SUBMITTED BY: DATE:</p>	<p>CONTRACTOR: ENGINEER: APPROVED BY: DATE:</p>
--	--

ROMLA VENTILATOR COMPANY, INC.

9668-D Heinrich Hertz Drive, San Diego, California 92154 Ph (619) 946-1224 Fax (619) 946-1227

Model RMB11 & RMB12 Installation Details

1. Mark centerline of roof opening on a fully sheeted roof.

2. Lay out roof opening to match the curb "A", "C" & "D" dimensions using centerline of major rib as a guide.

3. Cut roof opening using normal metal building procedures. Slit upslope edges of rough opening ("D") for side flange penetration at transition point. Make cutouts in downslope flange for rib clearance where loose "over" contours are to be placed.

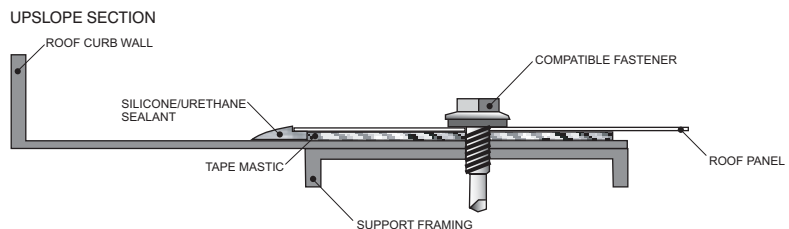
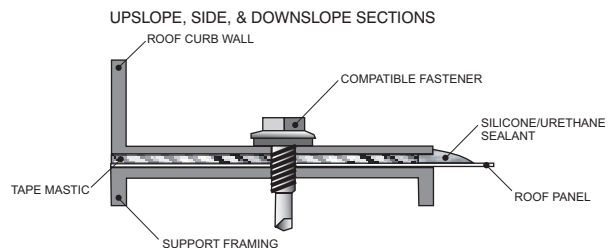
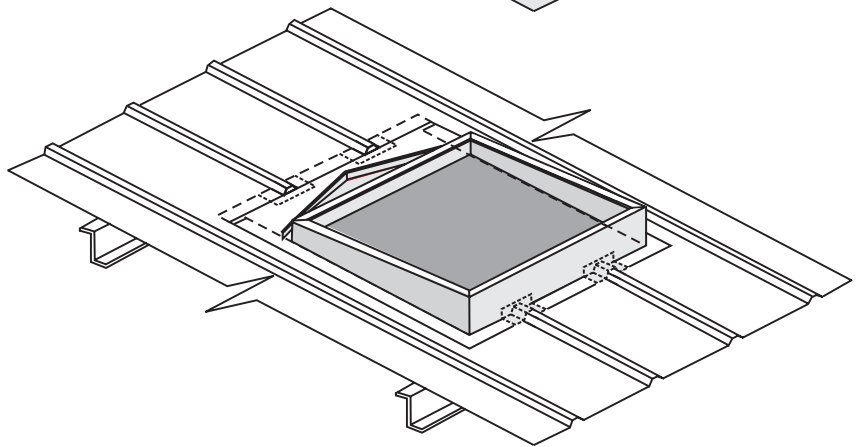
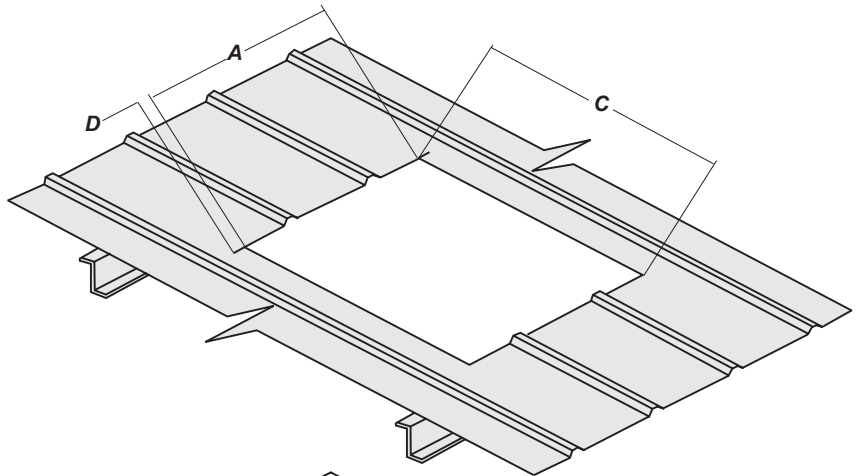
4. Install structural support framing to support curb and equipment loads (keep inside dimension clear). At least two parallel curb walls should be supported. Keep cantilever sections under 12".

5. Apply sealant tape or mastic between curb and roof panel. Apply to roof panel at curb side and downslope flange locations. Also apply to curb upslope flange. Use only building manufacturer's approved accessories.

6. Position curb into place over opening of roof panel. Upslope flange goes under roof panel. Side and downslope flanges go over roof panel. Fasten and seal loose upslope "under" contours where required at rib locations

7. Using fasteners to suit roof system, fasten curb to support structure through curb flange and roof panel. Fasteners to be located approximately 4" on center with a minimum of four fasteners per side.

8. Check installation to verify secure attachment and weather sealing. Caulk perimeter edge of curb flanges at roof panel.



ROMLA VENTILATOR COMPANY, INC.

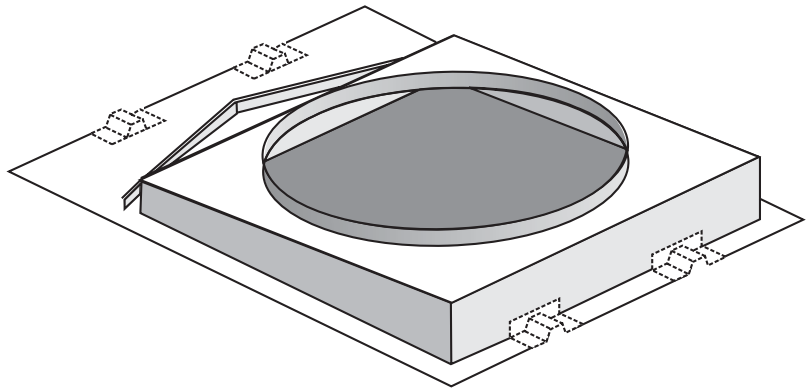
9668-D Heinrich Hertz Drive, San Diego, California 92154 Ph (619) 946-1224 Fax (619) 946-1227



**Model RMB12-C
Metal Building Roof Curb**

Specifications:

- 18 Gauge Aluminized Steel
- 6" Curb Height at Upslope
- Collar Flashing - 3" High
- All Welded Construction
- Upslope Flat Flange With "Under" Contours (Loose) And a Diverter
- Downslope With "Over" Contours (Loose)



Options:

- 16 Ga. Aluminized Steel
- 14 Ga. Aluminized Steel
- .080 Aluminum

Air Dry Enamel Finish

- White
- Custom Color

Special Height

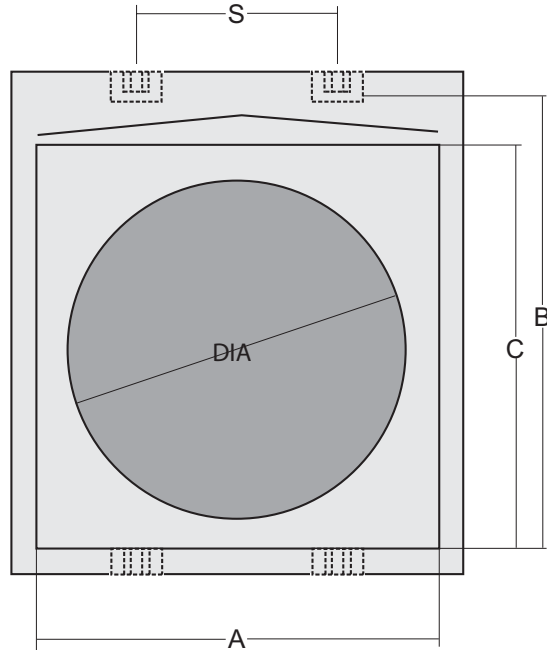
- Damper Shelf/Duct Supports

Wide Flanges

- Upslope
- Side
- Downslope
- Top Cover
- Top Flange Broken Out
- Cricket in Lieu of Diverter
- Spliced Curb (2 Pieces)
- Sub Framing
- 2-1/2" Wide Mastic

Roof Panel Mfg:

Panel Model:



Curb Schedule

MARK	QTY	MODEL	A	B	S	PITCH	GA

<p>PROJECT: LOCATION: SUBMITTED BY: DATE:</p>	<p>CONTRACTOR: ENGINEER: APPROVED BY: DATE:</p>
--	--

ROMLA VENTILATOR COMPANY, INC.

9668-D Heinrich Hertz Drive, San Diego, California 92154 Ph (619) 946-1224 Fax (619) 946-1227

Model RMB11-C & RMB12-C Installation Details

1. Mark centerline of roof opening on a fully sheeted roof.

2. Lay out roof opening to match the curb "A", "C" & "D" dimensions using centerline of major rib as a guide.

3. Cut roof opening using normal metal building procedures. Slit upslope edges of rough opening ("D") for side flange penetration at transition point. Make cutouts in downslope flange for rib clearance where loose "over" contours are to be placed.

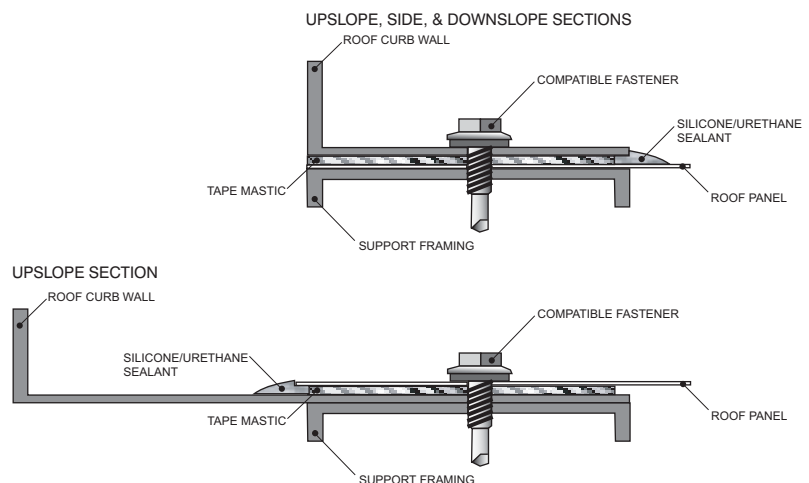
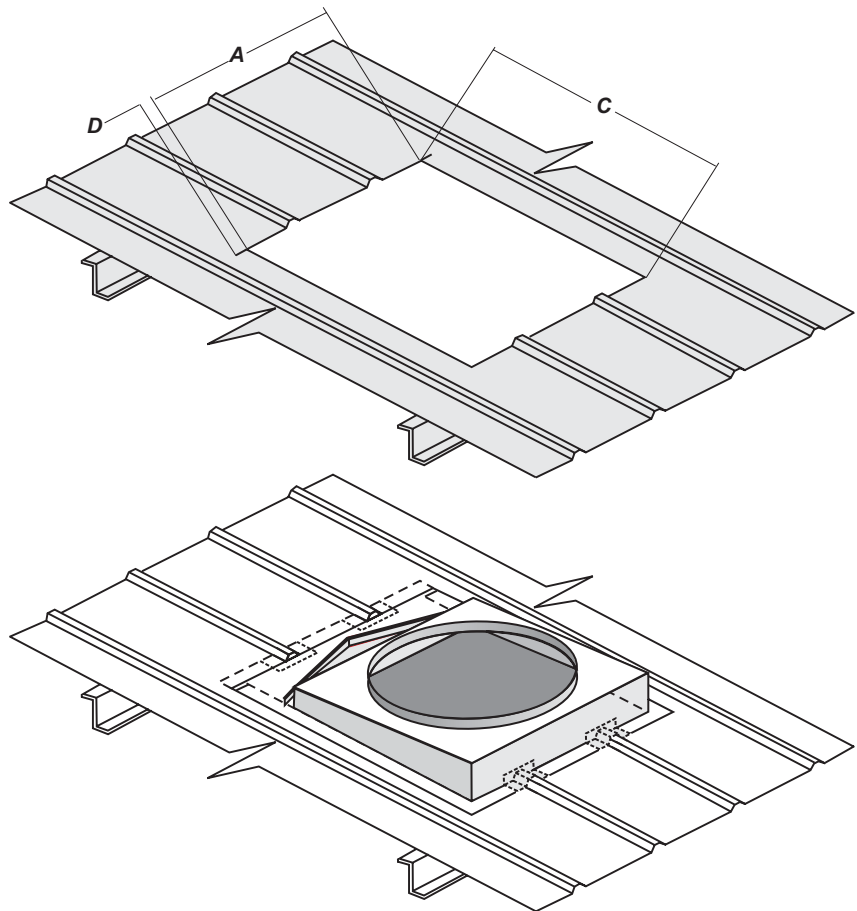
4. Install structural support framing to support curb and equipment loads (keep inside dimension clear). At least two parallel curb walls should be supported. Keep cantilever sections under 12".

5. Apply sealant tape or mastic between curb and roof panel. Apply to roof panel at curb side and downslope flange locations. Also apply to curb upslope flange. Use only building manufacturer's approved accessories.

6. Position curb into place over opening of roof panel. Upslope flange goes under roof panel. Side and downslope flanges go over roof panel. Fasten and seal loose upslope "under" contours where required at rib locations.

7. Using fasteners to suit roof system, fasten curb to support structure through curb flange and roof panel. Fasteners to be located approximately 4" on center with a minimum of four fasteners per side.

8. Check installation to verify secure attachment and weather sealing. Caulk perimeter edge of curb flanges at roof panel.



ROMLA VENTILATOR COMPANY, INC.

9668-D Heinrich Hertz Drive, San Diego, California 92154 Ph (619) 946-1224 Fax (619) 946-1227



**Model RMB12-C
Metal Building Roof Curb**

Specifications:

- 18 Gauge Aluminized Steel
- 6" Curb Height at Upslope
- Collar Flashing - 3" High
- All Welded Construction
- Upslope Flat Flange With "Under" Contours (Loose) And a Diverter
- Downslope With "Over" Contours (Loose)

Options:

- 16 Ga. Aluminized Steel
- 14 Ga. Aluminized Steel
- .080 Aluminum

Air Dry Enamel Finish

- White
- Custom Color

Special Height

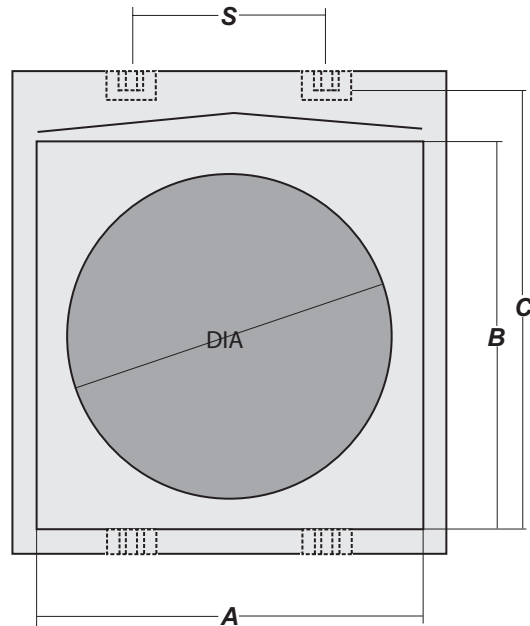
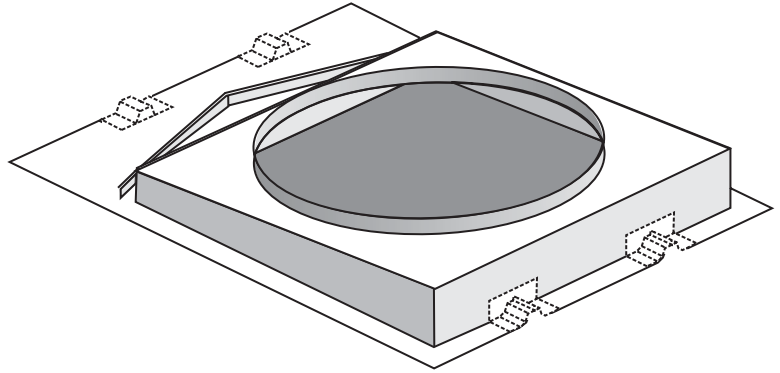
- Damper Shelf/Duct Supports

Wide Flanges

- Upslope
- Side
- Downslope
- Top Cover
- Top Flange Broken Out
- Cricket in Lieu of Diverter
- Spliced Curb (2 Pieces)
- Sub Framing
- 2-1/2" Wide Mastic

Roof Panel Mfg: _____

Panel Model: _____



Curb Schedule

MARK	QTY	MODEL	A	B	S	PITCH	GA

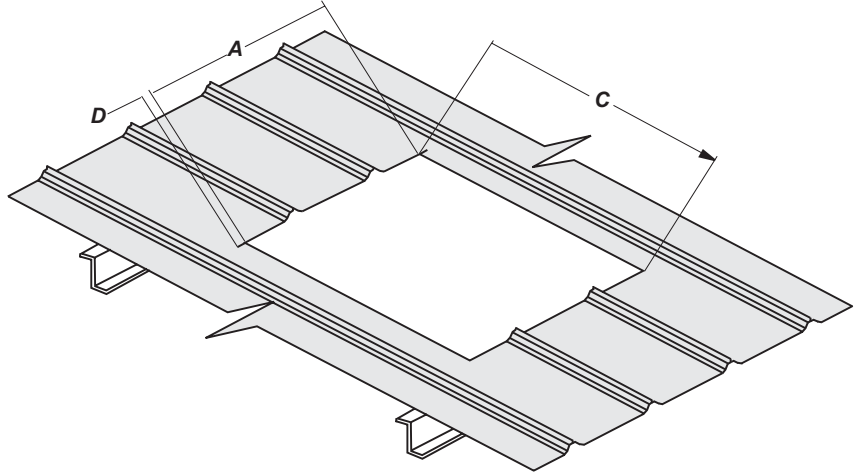
<p>PROJECT: LOCATION: SUBMITTED BY: DATE:</p>	<p>CONTRACTOR: ENGINEER: APPROVED BY: DATE:</p>
--	--

ROMLA VENTILATOR COMPANY, INC.

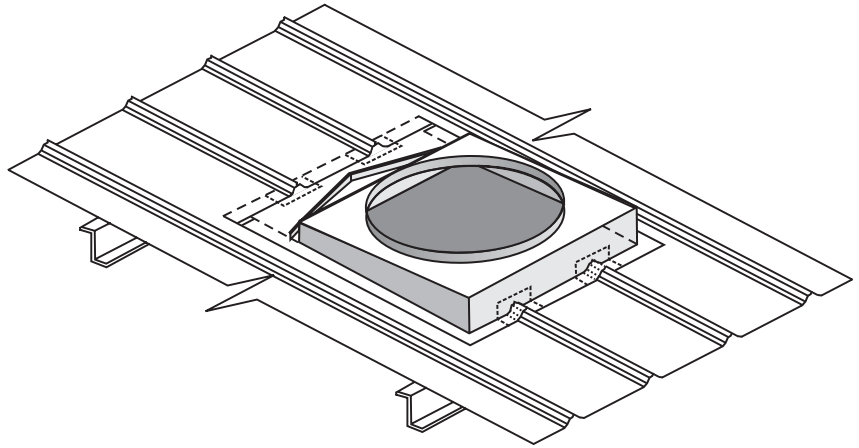
9668-D Heinrich Hertz Drive, San Diego, California 92154 Ph (619) 946-1224 Fax (619) 946-1227

Model RMB11-C & RMB12-C Installation Details

1. Mark centerline of roof opening on a fully sheeted roof.
2. Lay out roof opening to match the curb "A", "C" & "D" dimensions using centerline of major rib as a guide.
3. Cut roof opening using normal metal building procedures. Slit upslope edges of rough opening ("D") for side flange penetration at transition point. Make cutouts in downslope flange for rib clearance where loose "over" contours are to be placed.



4. Install structural support framing to support curb and equipment loads (keep inside dimension clear). At least two parallel curb walls should be supported. Keep cantilever sections under 12".

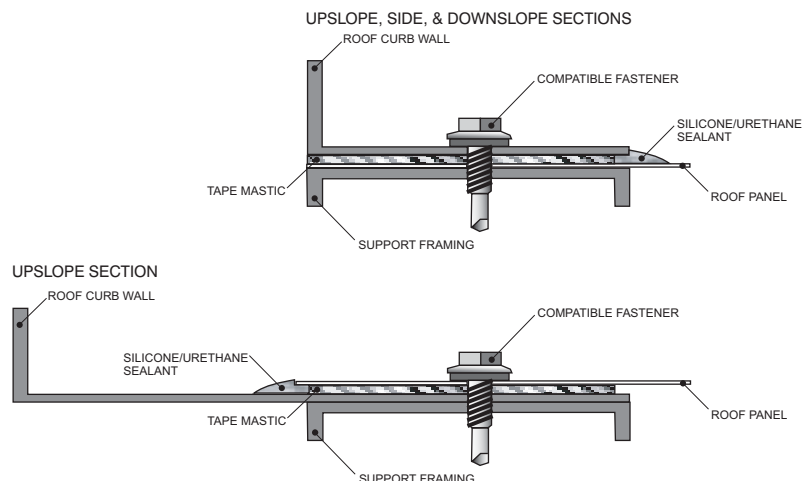


5. Apply sealant tape or mastic between curb and roof panel. Apply to roof panel at curb side and downslope flange locations. Also apply to curb upslope flange. Use only building manufacturer's approved accessories.

6. Position curb into place over opening of roof panel. Upslope flange goes under roof panel. Side and downslope flanges go over roof panel. Fasten and seal loose upslope "under" contours where required at rib locations

7. Using fasteners to suit roof system, fasten curb to support structure through curb flange and roof panel. Fasteners to be located approximately 4" on center with a minimum of four fasteners per side.

8. Check installation to verify secure attachment and weather sealing. Caulk perimeter edge of curb flanges at roof panel.



ROMLA VENTILATOR COMPANY, INC.

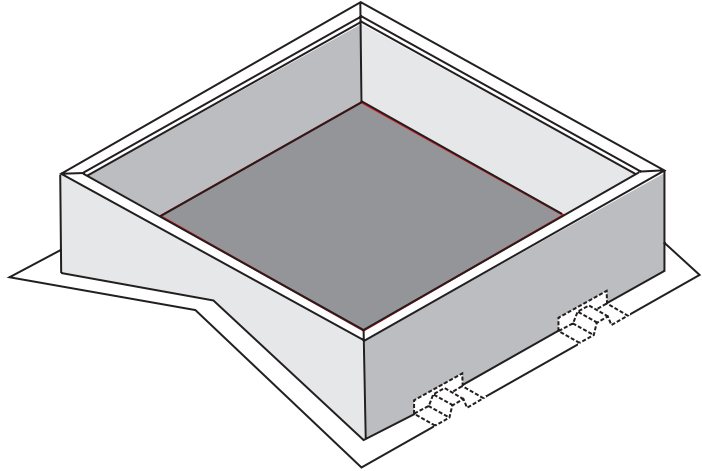
9668-D Heinrich Hertz Drive, San Diego, California 92154 Ph (619) 946-1224 Fax (619) 946-1227



**Type RMB12-RM
Metal Building Roof Curb**

Specifications:

- 18 Gauge Aluminized Steel
- 6" Minimum Curb Height at Ridge
- 1-1/2" Wide Top Flanges
- All Welded Construction
- Downslope Flanges With "Over" Contours Shipped Loose For Field Installation



Options:

- 16 Ga. Aluminized Steel
- 14 Ga. Aluminized Steel
- .080 Aluminum

Air Dry Enamel Finish

- White
- Custom Color

Special Height

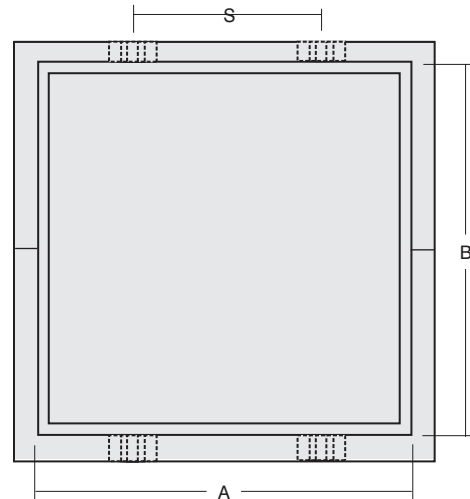
- Damper Shelf/Duct Supports

Wide Flanges

- Side
- Downslope

Top Cover

- Top Flange Broken Out
- Spliced Curb (2 Pieces)
- Sub Framing
- 2-1/2" Wide Mastic



Curb Schedule

MARK	QTY	MODEL	A	B	S	PITCH	GA

Roof Panel Mfg:

Panel Model:

PROJECT:
LOCATION:
SUBMITTED BY:
DATE:

CONTRACTOR:
ENGINEER:
APPROVED BY:
DATE:

ROMLA VENTILATOR COMPANY, INC.

9668-D Heinrich Hertz Drive, San Diego, California 92154 Ph (619) 946-1224 Fax (619) 946-1227

Model RMB11-RM & RMB12-RM Installation Details

1. Mark centerline of roof opening on a fully sheeted roof.

2. Lay out roof opening to match the curb "A" & "B" dimensions using centerline of major rib as a guide.

3. Cut roof opening using normal metal building procedures. Make cutouts in downslope flanges for rib clearance where loose "over" contours are to be placed.

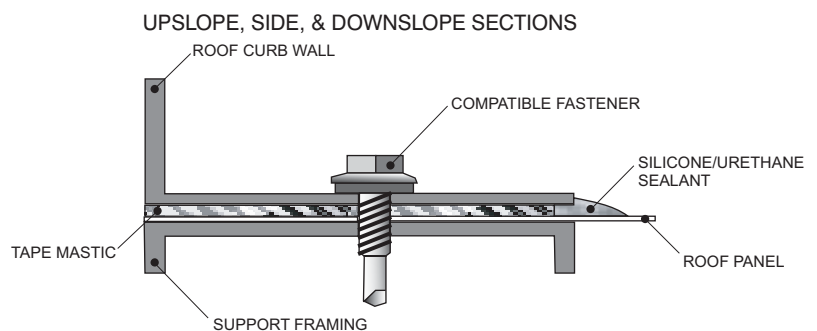
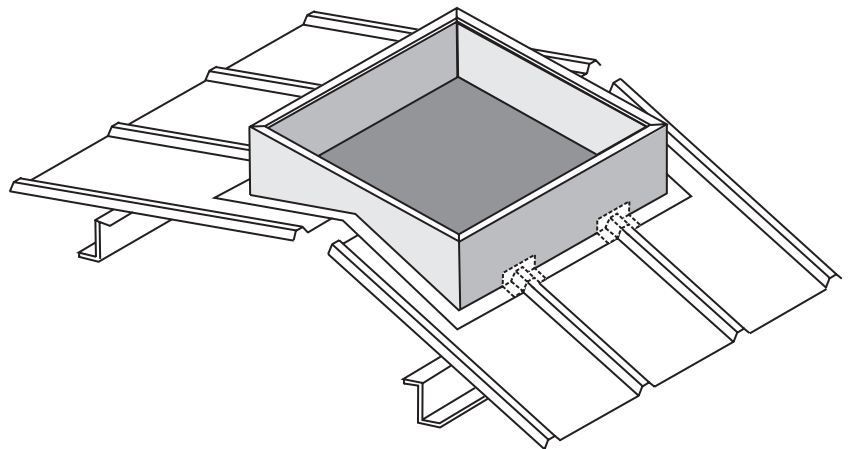
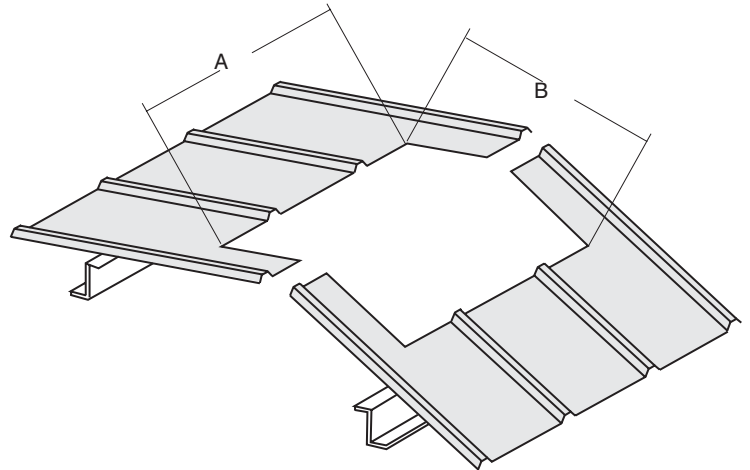
4. Install structural support framing to support curb and equipment loads (keep inside dimension clear). At least two parallel curb walls should be supported. Keep cantilever sections under 12".

5. Apply sealant tape or mastic between curb and roof panel. Apply to roof panel at curb side and downslope flange locations. Use only building manufacturer's approved accessories.

6. Position curb into place over opening of roof panel. Side and downslope flanges go over roof panel. Fasten and seal loose "over" contours where required at rib locations.

7. Using fasteners to suit roof system, fasten curb to support structure through curb flange and roof panel. Fasteners to be located approximately 4" on center with a minimum of four fasteners per side.

8. Check installation to verify secure attachment and weather sealing. Caulk perimeter edge of curb flanges at roof panel.



ROMLA VENTILATOR COMPANY, INC.

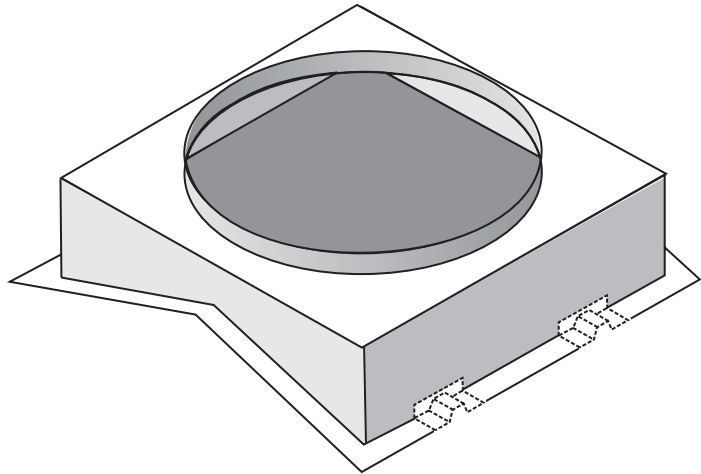
9668-D Heinrich Hertz Drive, San Diego, California 92154 Ph (619) 946-1224 Fax (619) 946-1227



**Type RMB12-RM-C
Metal Building Roof Curb**

Specifications:

- 18 Gauge Aluminized Steel
- 6" Minimum Curb Height at Ridge
- 1-1/2" Wide Top Flanges
- All Welded Construction
- Downslope Flanges With "Over" Contours Shipped Loose For Field Installation



Options:

- 16 Ga. Aluminized Steel
- 14 Ga. Aluminized Steel
- .080 Aluminum

Air Dry Enamel Finish

- White
- Custom Color

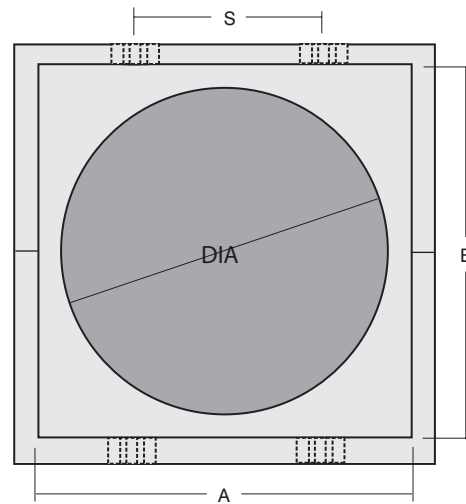
Special Height

Wide Flanges

- Side
- Downslope

Spliced Curb (2 Pieces)

- Sub Framing
- 2-1/2" Wide Mastic



Curb Schedule

MARK	QTY	MODEL	A	B	S	PITCH	GA

Roof Panel Mfg:

Panel Model:

PROJECT:
LOCATION:
SUBMITTED BY:
DATE:

CONTRACTOR:
ENGINEER:
APPROVED BY:
DATE:

ROMLA VENTILATOR COMPANY, INC.

9668-D Heinrich Hertz Drive, San Diego, California 92154 Ph (619) 946-1224 Fax (619) 946-1227

Model RMB11-RM-C & RMB12-RM-C Installation Details

1. Mark centerline of roof opening on a fully sheeted roof.

2. Lay out roof opening to match the curb "A" & "B" dimensions using centerline of major rib as a guide.

3. Cut roof opening using normal metal building procedures. Make cutouts in downslope flanges for rib clearance where loose "over" contours are to be placed.

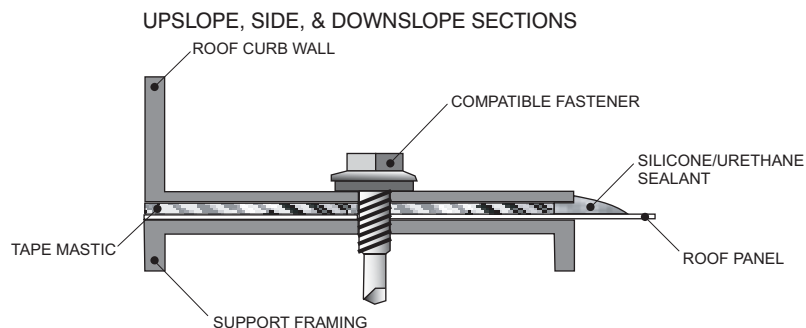
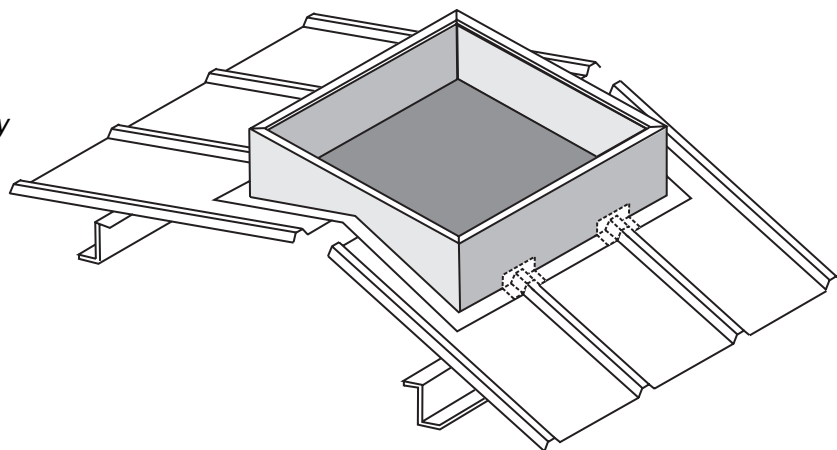
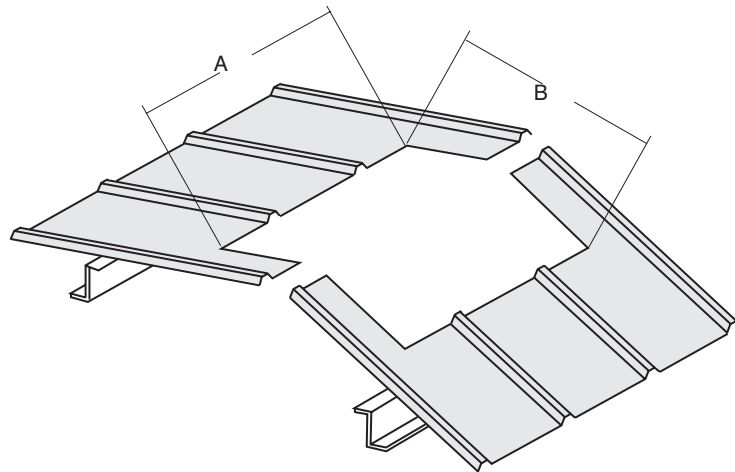
4. Install structural support framing to support curb and equipment loads (keep inside dimension clear). At least two parallel curb walls should be supported. Keep cantilever sections under 12".

5. Apply sealant tape or mastic between curb and roof panel. Apply to roof panel at curb side and downslope flange locations. Use only building manufacturer's approved accessories.

6. Position curb into place over opening of roof panel. Side and downslope flanges go over roof panel. Fasten and seal loose "over" contours where required at rib locations.

7. Using fasteners to suit roof system, fasten curb to support structure through curb flange and roof panel. Fasteners to be located approximately 4" on center with a minimum of four fasteners per side.

8. Check installation to verify secure attachment and weather sealing. Caulk perimeter edge of curb flanges at roof panel.



ROMLA VENTILATOR COMPANY, INC.

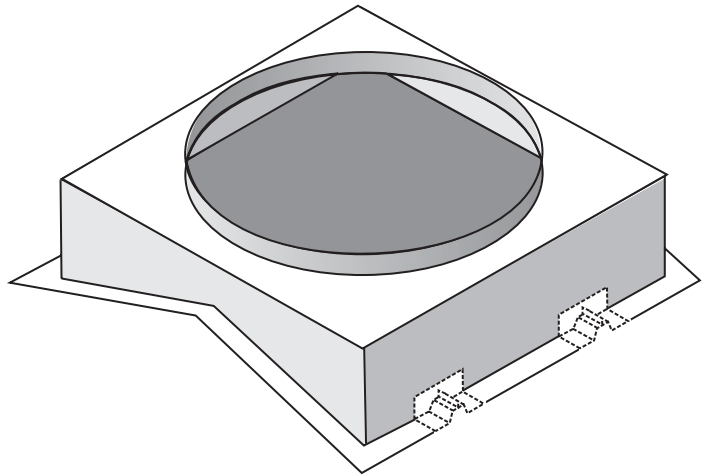
9668-D Heinrich Hertz Drive, San Diego, California 92154 Ph (619) 946-1224 Fax (619) 946-1227



**Type RMB12-RM-C
Metal Building Roof Curb**

Specifications:

- 18 Gauge Aluminized Steel
- 6" Minimum Curb Height at Ridge
- 1-1/2" Wide Top Flanges
- All Welded Construction
- Downslope Flanges With "Over" Contours Shipped Loose For Field Installation



Options:

- 16 Ga. Aluminized Steel
- 14 Ga. Aluminized Steel
- .080 Aluminum

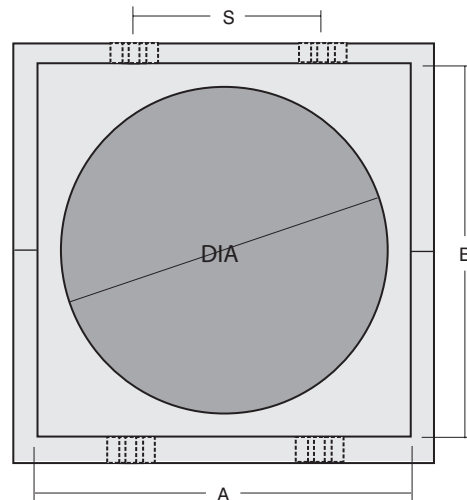
Air Dry Enamel Finish

- White
- Custom Color
- Special Height

Wide Flanges

- Side
- Downslope

- Spliced Curb (2 Pieces)
- Sub Framing
- 2-1/2" Wide Mastic



Curb Schedule

MARK	QTY	MODEL	A	B	S	PITCH	GA

Roof Panel Mfg:

Panel Model:

<p>PROJECT: LOCATION: SUBMITTED BY: DATE:</p>	<p>CONTRACTOR: ENGINEER: APPROVED BY: DATE:</p>
---	---

Model RMB11-RM-C & RMB12-RM-C Installation Details

1. Mark centerline of roof opening on a fully sheeted roof.

2. Lay out roof opening to match the curb "A" & "B" dimensions using centerline of major rib as a guide.

3. Cut roof opening using normal metal building procedures. Make cutouts in downslope flanges for rib clearance where loose "over" contours are to be placed.

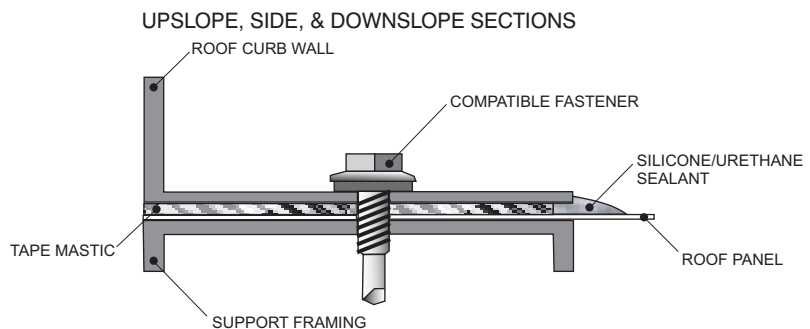
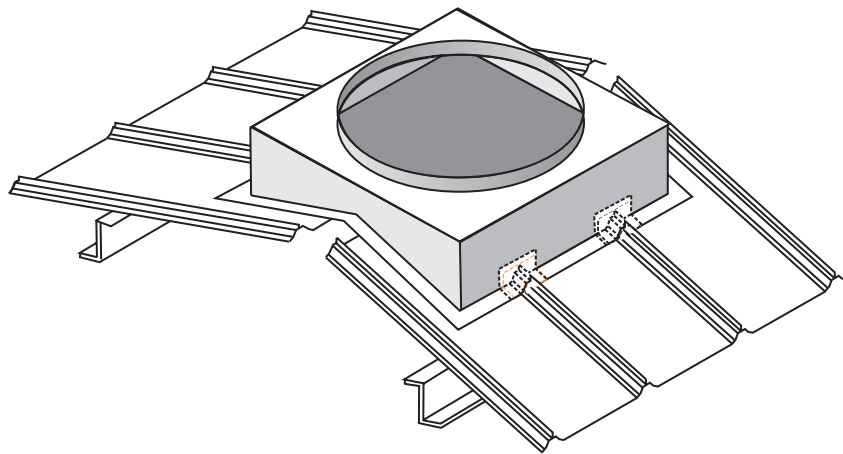
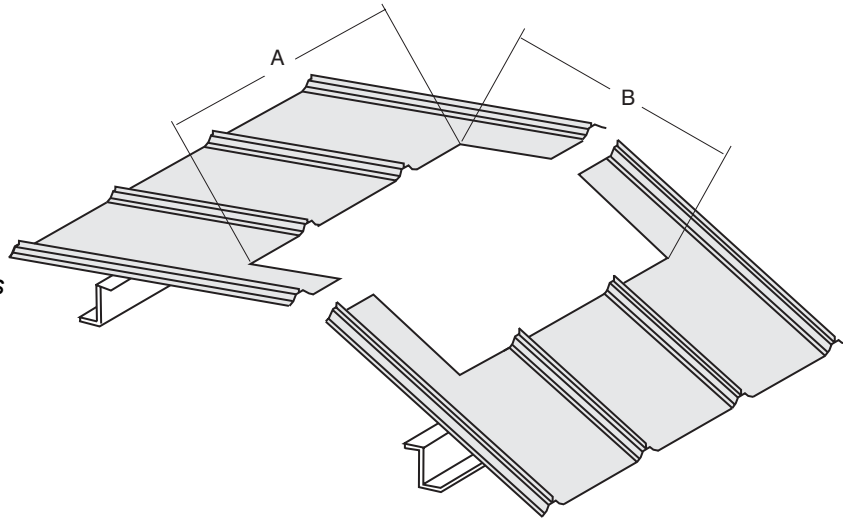
4. Install structural support framing to support curb and equipment loads (keep inside dimension clear). At least two parallel curb walls should be supported. Keep cantilever sections under 12".

5. Apply sealant tape or mastic between curb and roof panel. Apply to roof panel at curb side and downslope flange locations. Use only building manufacturer's approved accessories.

6. Position curb into place over opening of roof panel. Side and downslope flanges go over roof panel. Fasten and seal loose "over" contours where required at rib locations.

7. Using fasteners to suit roof system, fasten curb to support structure through curb flange and roof panel. Fasteners to be located approximately 4" on center with a minimum of four fasteners per side.

8. Check installation to verify secure attachment and weather sealing. Caulk perimeter edge of curb flanges at roof panel.



ROMLA VENTILATOR COMPANY, INC.

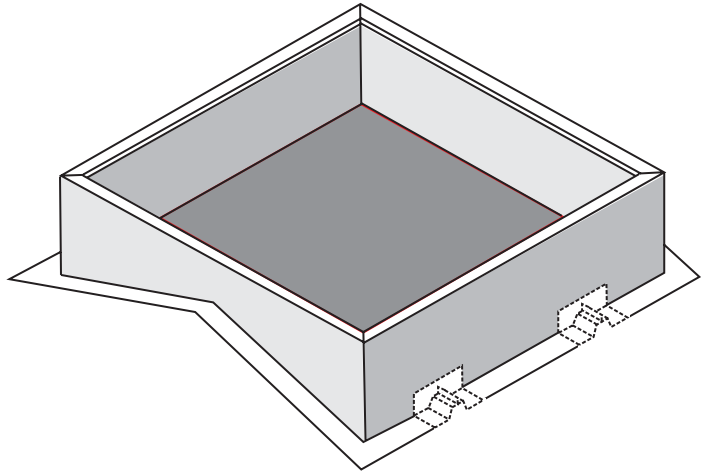
9668-D Heinrich Hertz Drive, San Diego, California 92154 Ph (619) 946-1224 Fax (619) 946-1227



**Type RMB12-RM
Metal Building Roof Curb**

Specifications:

- 18 Gauge Aluminized Steel
- 6" Minimum Curb Height at Ridge
- 1-1/2" Wide Top Flanges
- All Welded Construction
- Downslope Flanges With "Over" Contours Shipped Loose For Field Installation



Options:

- 16 Ga. Aluminized Steel
- 14 Ga. Aluminized Steel
- .080 Aluminum

Air Dry Enamel Finish

- White
- Custom Color

Special Height

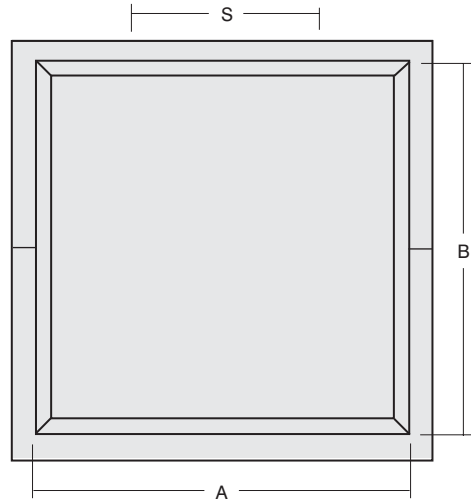
- Damper Shelf/Duct Supports

Wide Flanges

- Side
- Downslope

Top Cover

- Top Flange Broken Out
- Spliced Curb (2 Pieces)
- Sub Framing
- 2-1/2" Wide Mastic



Curb Schedule

MARK	QTY	MODEL	A	B	S	PITCH	GA

Roof Panel Mfg:

Panel Model:

PROJECT:
LOCATION:
SUBMITTED BY:
DATE:

CONTRACTOR:
ENGINEER:
APPROVED BY:
DATE:

ROMLA VENTILATOR COMPANY, INC.

9668-D Heinrich Hertz Drive, San Diego, California 92154 Ph (619) 946-1224 Fax (619) 946-1227

Model RMB11-RM & RMB12-RM Installation Details

1. Mark centerline of roof opening on a fully sheeted roof.

2. Lay out roof opening to match the curb "A" & "B" dimensions using centerline of major rib as a guide.

3. Cut roof opening using normal metal building procedures. Make cutouts in downslope flanges for rib clearance where loose "over" contours are to be placed.

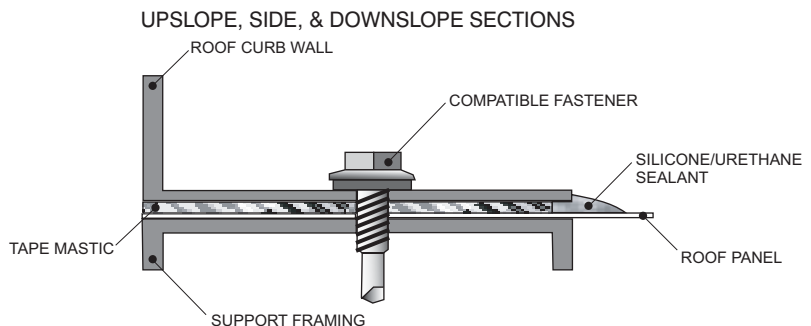
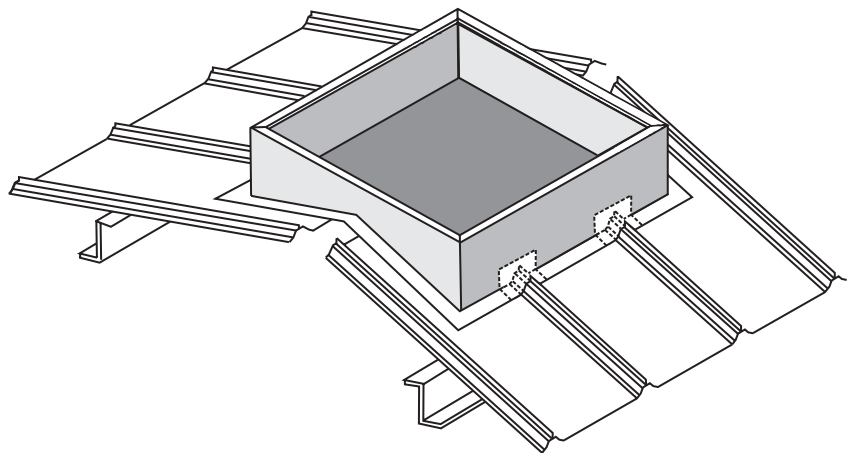
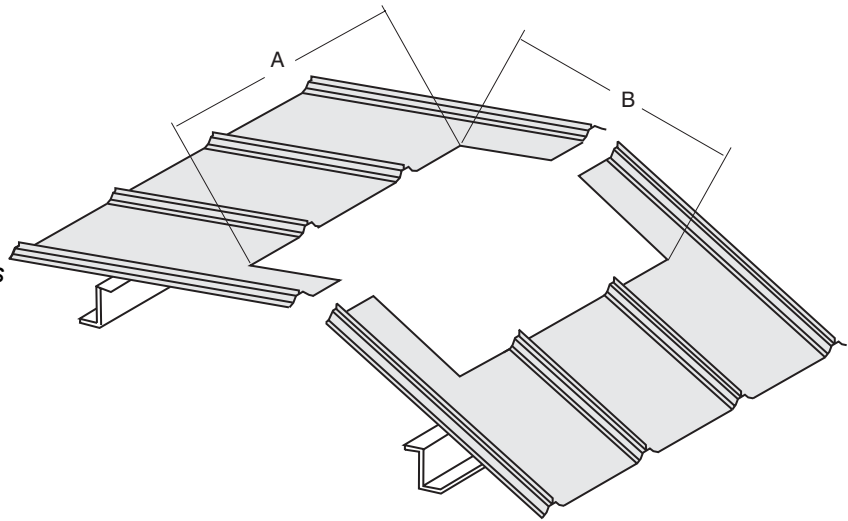
4. Install structural support framing to support curb and equipment loads (keep inside dimension clear). At least two parallel curb walls should be supported. Keep cantilever sections under 12".

5. Apply sealant tape or mastic between curb and roof panel. Apply to roof panel at curb side and downslope flange locations. Use only building manufacturer's approved accessories.

6. Position curb into place over opening of roof panel. Side and downslope flanges go over roof panel. Fasten and seal loose "over" contours where required at rib locations.

7. Using fasteners to suit roof system, fasten curb to support structure through curb flange and roof panel. Fasteners to be located approximately 4" on center with a minimum of four fasteners per side.

8. Check installation to verify secure attachment and weather sealing. Caulk perimeter edge of curb flanges at roof panel.



ROMLA VENTILATOR COMPANY, INC.

9668-D Heinrich Hertz Drive, San Diego, California 92154 Ph (619) 946-1224 Fax (619) 946-1227



**Model RMB12
Metal Building Roof Curb**

Specifications:

- 18 Gauge Aluminized Steel
- 6" Curb Height at Upslope
- 1-1/2" Wide Top Flanges
- All Welded Construction
- Upslope Flat Flange With "Under" Contours (Loose) And a Diverter
- Downslope With "Over" Contours (Loose)

Options:

- 16 Ga. Aluminized Steel
- 14 Ga. Aluminized Steel
- .080 Aluminum

Air Dry Enamel Finish

- White
- Custom Color

Special Height

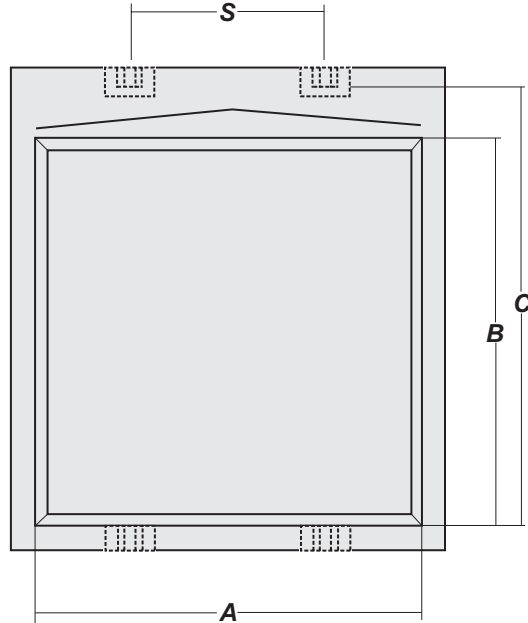
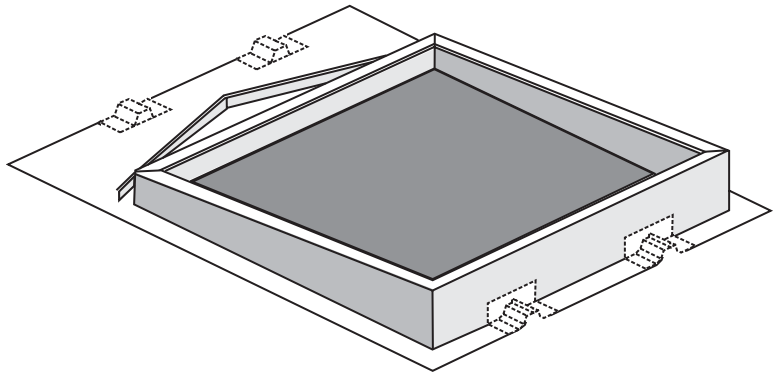
- Damper Shelf/Duct Supports

Wide Flanges

- Upslope
- Side
- Downslope
- Top Cover
- Top Flange Broken Out
- Cricket in Lieu of Diverter
- Spliced Curb (2 Pieces)
- Sub Framing
- 2-1/2" Wide Mastic

Roof Panel Mfg:

Panel Model:



Curb Schedule

MARK	QTY	MODEL	A	B	S	PITCH	GA

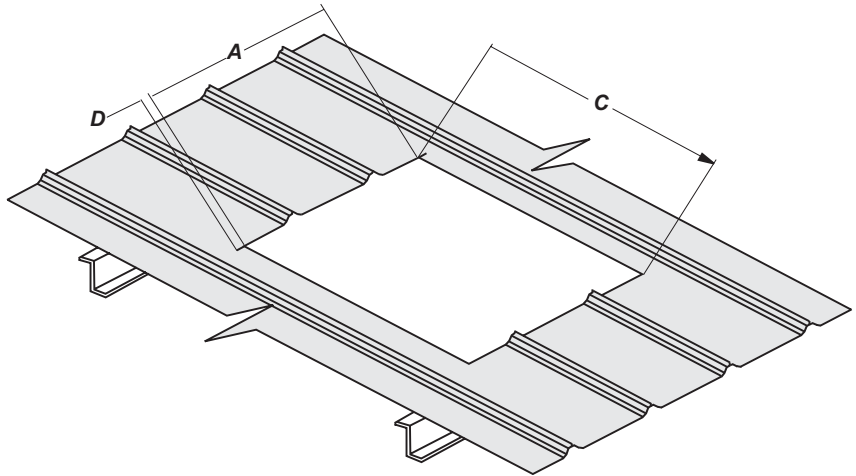
<p>PROJECT: LOCATION: SUBMITTED BY: DATE:</p>	<p>CONTRACTOR: ENGINEER: APPROVED BY: DATE:</p>
--	--

ROMLA VENTILATOR COMPANY, INC.

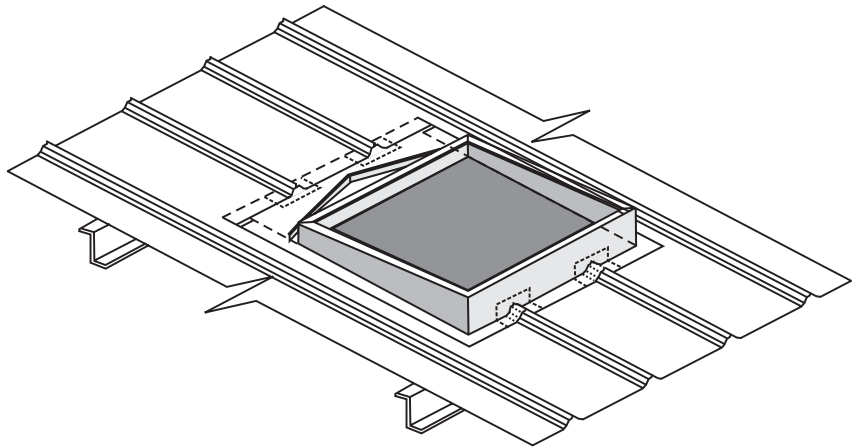
9668-D Heinrich Hertz Drive, San Diego, California 92154 Ph (619) 946-1224 Fax (619) 946-1227

Model RMB11 & RMB12 Installation Details

1. Mark centerline of roof opening on a fully sheeted roof.
2. Lay out roof opening to match the curb "A", "C" & "D" dimensions using centerline of major rib as a guide.
3. Cut roof opening using normal metal building procedures. Slit upslope edges of rough opening ("D") for side flange penetration at transition point. Make cutouts in downslope flange for rib clearance where loose "over" contours are to be placed.



4. Install structural support framing to support curb and equipment loads (keep inside dimension clear). At least two parallel curb walls should be supported. Keep cantilever sections under 12".

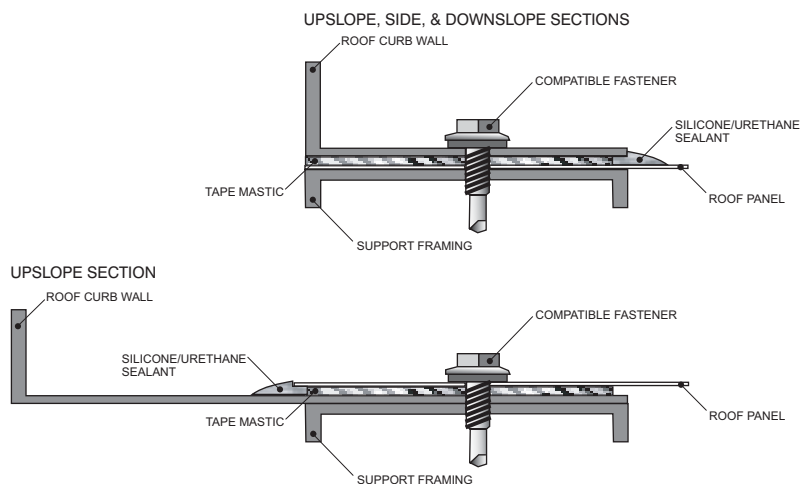


5. Apply sealant tape or mastic between curb and roof panel. Apply to roof panel at curb side and downslope flange locations. Also apply to curb upslope flange. Use only building manufacturer's approved accessories.

6. Position curb into place over opening of roof panel. Upslope flange goes under roof panel. Side and downslope flanges go over roof panel. Fasten and seal loose upslope "under" contours where required at rib locations

7. Using fasteners to suit roof system, fasten curb to support structure through curb flange and roof panel. Fasteners to be located approximately 4" on center with a minimum of four fasteners per side.

8. Check installation to verify secure attachment and weather sealing. Caulk perimeter edge of curb flanges at roof panel.



ROMLA VENTILATOR COMPANY, INC.

9668-D Heinrich Hertz Drive, San Diego, California 92154 Ph (619) 946-1224 Fax (619) 946-1227



- [FANS AND VENTILATORS](#)
- [PRODUCTS FOR THE METAL BUILDING INDUSTRY](#)

- [Ridge Ventilators & Volumatic Ventilators](#)
- [Metal Building Curbs](#)
- [Skylights, Smoke Hatches & Roof Access Hatches](#)
- [Louvers](#)



Products For The Metal Building Industry

Metal Building Curbs

Considerable consideration has always been given to the types of roof systems on a new building or re-roof and the roof penetrations and the type of curbs used. Romlair has designed roof curbs to correctly match most roof systems



The standard metal building curbs by Romlair are constructed of 18 gauge aluminized steel, with either insulated or non-insulated curb walls. They are available for both slopemount and ridgemount applications.

Most models are for standing seam and ribbed panels. On these models the contours fit under the roof panel on the upslope and over on the downslope to create a continuous water flow.



Romlair also offers sub-frame packages that will provide you with everything you need to install our metal building curbs. Sub-frame packages provide you with everything you need for installation. These sub-frame packages include support channels, back-up plates, sealant tapes, caulking, and fasteners.

Special paint finishes are available to color match your roof system

Downloadable Romlair Literature.

Submittal Sheets:

- PDF file RMB-1 Slope, Insulated, Upslope-Over, Downslope-Over, HR (1)
- PDF file RMB1-RM Ridge, Insulated, Downslope-Over, HR (2)
- PDF file RMB1 Slope, Insulated, Upslope-Over, Downslope-Over,

SSR(3)

- PDF file RMB1-RM Ridge, Insulated, Downslope-Over, SSR(4)
- PDF file RMB2 Slope, Non-Insulated, Upslope-Over, Downslope-Over, HR(5)
- PDF file RMB2-RM Ridge, Non-Insulated, Downslope-Over, HR(6)
- PDF file RMB2-RM-C Ridge, Non-Insulated, Downslope-Over, HR(7)
- PDF file RMB2 Slope, Non-Insulated, Upslope-Over, Downslope-Over, SSR(8)
- PDF file RMB2-RM Ridge, Non-Insulated, Downslope-Over, SSR(9)
- PDF file RMB3 Slope Insulated, Upslope-Flat, Downslope-Flat(10)
- PDF file RMB3-RM Ridge, Insulated, Upslope-Flat, Downslope-Flat(11)
- PDF file RMB4 Slope, Non-Insulated, Upslope-Flat, Downslope-Flat(12)
- PDF file RMB4 Ridge, Non-Insulated, Flat Flanges (13)
- PDF file RMB4-RM-C Ridge, Non-Insulated, Flat Flanges (14)
- PDF file RMB5 Slope, Insulated, Upslope-Flat, Downslope-Over, HR(15)
- PDF file RMB5 Slope, Insulated, Upslope-Flat, Downslope-Over, SSR(16)
- PDF file RMB6 Slope, Non-Insulated, Upslope-Flat Downslope-Over, HR(17)
- PDF file RMB6 Slope, Non-Insulated, Upslope-Flat, Downslope-Over, SSR(18)
- PDF file RMB7 Slope, Insulated, Upslope-Under, Downslope-Over, HR (19)
- PDF file RMB7-C Slope, Insulated, Upslope-Under, Downslope-Over, HR (20)
- PDF file RMB7 Slope, Insulated, Upslope-Under, Downslope-Over, SSR(21)
- PDF file RMB7-C Slope, Insulated, Upslope-Under, Downslope-Over, SSR (22)
- PDF file RMB8 Slope, Non-Insulated, Upslope-Under, Downslope-Over, HR (23)
- PDF file RMB8-C Slope, Non-Insulated, Upslope-Under, Downslope-Over, HR (24)
- PDF file RMB8 Slope, Non-Insulated, Upslope-Under, Downslope-Over, SSR(25)
- PDF file RMB8-C Slope, Non-Insulated, Upslope-Under, Downslope-Over, SSR(26)
- PDF file RMB9 Slope, Insulated, Upslope-Flat, Downslope-Offset, (27)
- PDF file RMB9-C Slope, Insulated, Upslope-Flat, Downslope-Offset (28)
- PDF file RMB9-RM Ridge, Insulated, Downslope-Offset (29)
- PDF file RMB9-RM-C Ridge, Insulated, Downslope-Offset (30)
- PDF file RMB9 Insulated, Upslope-Flat, Downslope-Slotting-Others (31)
- PDF file RMB10 Non-Insulated, Upslope-Flat, Downslope-Offset (32)
- PDF file RMB10 Non-Insulated, Upslope-Flat, Downslope-Slotting-Others (33)
- PDF file RMB10-C Non-Insulated, Upslope-Flat, Downslope-Offset (34)
- PDF file RMB10-RM Non-Insulated, Downslope-Offset (35)
- PDF file RMB10-RM-C Non-Insulated, Downslope-Offset (36)
- PDF file RMB11 Insulated, Upslope-Downslope Contours Loose (37)
- PDF file RMB11-C Insulated, Upslope-Downslope Contours Loose (38)
- PDF file RMB11-RM Insulated, Downslope Contours Loose (39)
- PDF file RMB11-RM-C Insulated, Downslope Contours Loose (40)
- PDF file RMB11 Insulated, Upslope-Downslope Contours Loose (41)
- PDF file RMB11-C Insulated, Upslope-Downslope Contours Loose (42)

- PDF file RMB12 Non-Insulated, Upslope-Downslope Contours Loose (43)
- PDF file RMB12-C Non-Insulated, Upslope-Downslope Contours Loose (44)
- PDF file RMB12-RM Non-Insulated, Downslope Contours Loose (45)
- PDF file RMB12-RM-C Non-Insulated, Downslope Contours Loose (46)
- PDF file RMB12 Non-Insulated, Upslope-Downslope Contours Loose (47)
- PDF file RMB12-C Non-Insulated, Upslope-Downslope Contours Loose (48)
- PDF file RMB12-RM Non-Insulated, Upslope-Downslope Contours Loose (49)
- PDF file RMB12-RM-C Non-Insulated, Downslope Contours Loose (50)

© Copyright 2009 Romlair Ventilator
Company,
All Rights Reserved

9668-D Heinrich Hertz Drive
San Diego, CA 92154

800-ROMLAIR (766-5247)
Fax 619-946-1227

[Contact](#) | [Privacy](#) | [Home](#)