

INSTALLATION AND MAINTENANCE INSTRUCTIONS MODEL AFO-CW OSCILLATING COLUMN OR WALL MOUNT

MODEL AFO-CW COLUMN OR WALL MOUNT

This type of mounting allow the fan to be mounted to a wall or column, featuring easy adjustment up and down and side to side.

SHIPPING INSPECTION

Upon receiving unit, check for any damage and report it immediately to the shipper. Also check to see that all accessory items are accounted for.

INSTALLATION

The Romlair AFO-CW Column or Wall Mount can be mounted per the following instructions.

1. Fasten mounting bracket "A" to a solid surface or structure using a wall anchor, or other suitable fastener (supplied by others).
2. Mounting Bracket "B" will be mounted underneath Mounting Bracket "A" as shown. It is important that Mounting Bracket "A" is level after Mounting Bracket "B" is put in place. Secure with an appropriate wall anchor (supplied by others).
3. Review Figure 1 showing how the motor assembly is placed on Bracket "A", lining up the holes of Bracket "A", the motor assembly, and the yoke. Then placing the bolt with the two bearings as illustrated in Figure 1 through the hole. Note the placement of the two bearings, one on top of the yoke and the other on top of the motor assembly hole.

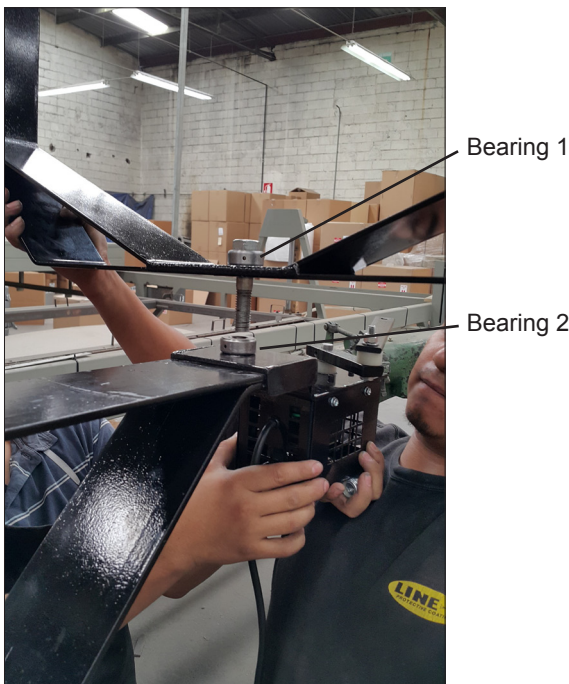


Figure 1

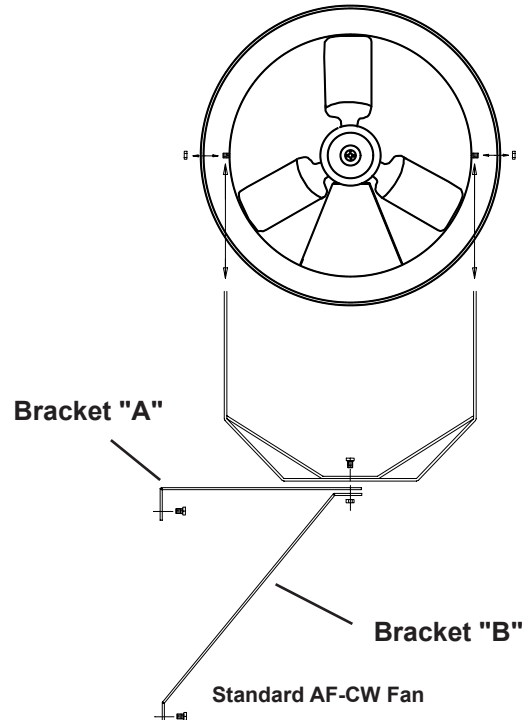


Figure 2

4. As shown in Figure 2 place the hex nut on the bolt and secure. Tighten the bolt and nut as shown in Figure 3 with a torque wrench at 15 lbs.



Figure 3

5. The next step is to fasten the linkage bar to the yoke with the fastener supplied as shown below in Figure 4



Figure 4

6. The fan section fits inside of the "U" shaped yoke bracket. The threaded holes on each side of the fan section fit through the predrilled holes on the yoke. Fasten the fan section to the yoke bracket with the supplied nuts. We recommend that you mount the fan section so that the motor mounting plate is below the fan motor.

FAN GUARDS

Protection guards are provided as standard. These guards may need to be removed to access the motor's internal wiring. When removing the guards, leave one of the self-tapping screws in place so that the guards can rotate around on the one screw. This makes it easy to re-insert the screws when you are ready to secure the guards after wiring the motor.

SINGLE AND THREE PHASE FAN MOTORS

Single phase 115v units are standard with a 12 foot cord and connector for standard 115v electrical outlets. Three phase units are not available. These will need to be supplied with an appropriate cord and connector or hard wired directly to 3 phase power.

OSCILLATING MOTOR.

The oscillating motor is only available in 1 phase 115v.

PROPER FAN ROTATION

Check fan rotation upon startup. Standing in front of fan, the blade should be turning clockwise. If rotation needs to be reversed this usually can be accomplished by reversing the connection wires.

IMPORTANT SAFETY INFORMATION

1. Comply with all local, state and federal codes. Verify that the phase and voltage confirm to the motor and name plate information.
2. Motor needs to be adequately grounded.
3. Disconnect all remote power sources before performing any maintenance
4. OSHA requires that guards must be installed when a fan is within reach of personnel or within seven (7) feet of working level or when deemed advisable for safety.