

# DOMLAP

*A New Wave In Air Movement*



## **Belt and Direct Drive Sidewall Propeller Fans**

**For Exhaust, Supply, Filtered,  
Reversible Applications**



# SIDEWALL PROPELLER FANS

Romlair Ventilator Company offers several different styles of propellers, in two drive configurations, and with a variety of available accessories. Romlair sidewall propellers fans are the ideal choice for factory and warehouse applications where large volumes of air are required. Performance ranges from 250 to 100,000 cfm with static pressure up to 1.25" wg. Fan sizes range from 24" to 54" for direct drive models and 24" to 72" for belt drive models. Our special application department can engineer fans outside these ranges for specific requirements.

All Romlair sidewall propeller fans are available in exhaust or supply arrangements. Propellers are available in fabricated steel, cast aluminum airfoil, and polypropylene with aluminum hubs. All drive frames are built of heavy-gauge construction and built for a lifetime of service.

A wide variety of fans to choose from including:

- Three airflow directions; exhaust, supply and reversible
- Fans include both belt drive and direct drive
- Filter housing options available
- Custom Design: Several blade designs to achieve low sound and optimum performance

## FAN PROPELLER TYPES

- Cast Aluminum Airfoil Propeller: Model PA and Model P feature a cast aluminum airfoil type designed for high volumes at higher pressures. They are also used in non-sparking applications.
- Fabricated Steel Propeller: Model PS features a fabricated steel propeller design to run at lower fan speeds which results in lower sound levels. These models are available up to 60".
- Advanced Design Polypropylene PPG Propellers: Special fan designs feature polypropylene propeller designed for all conditions, and the highest of performance at low and high static pressures. Consult with the factory to assist in selecting your optimal propeller.

## Special Fan Designs Available



Special Direct Drive Agriculture Fans

## BASICS OF FAN SELECTION

### Belt Drive vs. Direct Drive

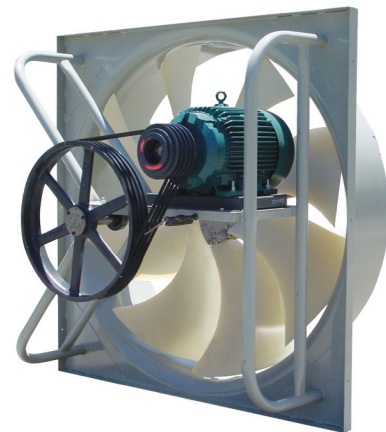
- Ability to adjust fan speed for system balancing
- Belt Drive typically more cost effective
- Direct drives favorable where access is difficult
- Maintenance costs are generally lower with direct drive fans

### Larger Fans vs. Small Fans

- Larger fans turn slower and generate less sound
- Higher initial cost but lower operating costs
- Smaller fans have lower initial costs, more stable performance, lower initial costs, however, higher sound levels, higher operating costs

### Motor Service Factor

- Motors in sidewall fans are cooled by the airstream. If the flow of cooling is uninterrupted, motors may be operated in their service factor up to 20% above the motor's nameplate. However, when 1.2 Bhp service factor is not desirable for the application specify the next higher motor hp.



Special 40 Hp, Low Sound, High Cfm Fans

# Mounting Options

## STANDARD FAN MOUNTING OPTIONS

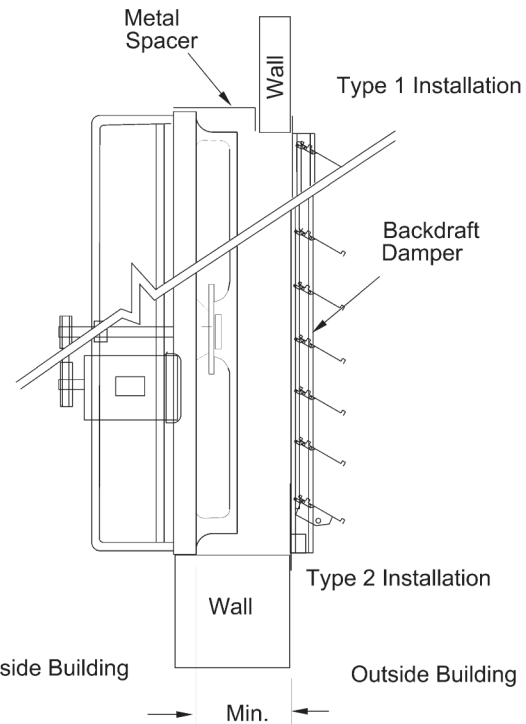
The split drawing shows a Type 1 and Type 2 installation for mounting fans when a wall housing or wall collar is not used. The wall openings are different on the Type 1 and Type 2 installations.

On exhaust applications, it is important to maintain minimum dimension between the propeller and damper for maximum performance.

Type 1 installation requires a metal spacer between the fan and the wall to achieve the minimum distance recommendation. This type of installation uses a damper the same size as the fan propeller.

Type 2 installation requires a minimum wall opening to allow the fan venturi to fit inside the wall opening. This type of installation uses a damper the same size as the venturi O.D.

The chart below provides the recommended minimum dimensions and the wall opening dimensions for these two different installations.



Fan Size	Min. Dimension	Type 1 Wall Opening	Type 2 Wall Opening	Fan Size	Min. Dimension	Type 1 Wall Opening	Type 2 Wall Opening
8	6	8-1/2	11-1/2	30	13	30-1/2	36-3/4
10	6	10-1/2	14-1/2	36	14	36-1/2	42-3/4
12	7	12-1/2	15-3/4	42	15	42-1/2	48-3/4
14	8	14-1/2	18-3/4	48	16	48-1/2	54-3/4
16	9	16-1/2	20-3/4	54	17	54-1/2	60-3/4
18	10	18-1/2	22-3/4	60	19	60-1/2	66-3/4
20	12	20-1/2	24-3/4	72	19	72-1/2	80-3/4
24	13	24-1/2	30-3/4				

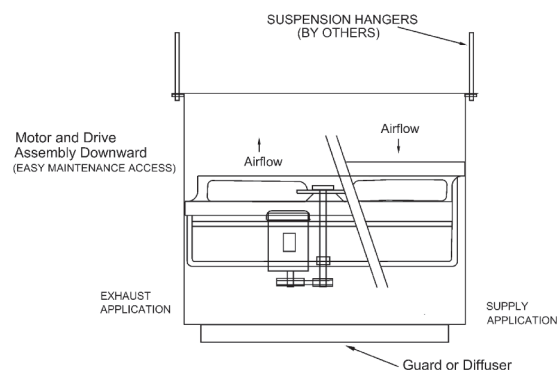
## HORIZONTAL MOUNTING

Romlair Sidewall fans can be mounted horizontally for applications that require vertical airflow.

Some applications would include mounting fans in a wall housing for use as recirculation fans, or install them in ductwork and use them as transfer fans. All models can be mounted horizontally. On horizontal applications, specify motor location and direction of airflow.

Note: Guarding is recommended on this type of application. If guarding is not provided by the factory, it should be supplied by others.

### Suspended Installation – Fan Mounted Horizontally In Wall Box Housing



# Mounting Options

## FAN WALL HOUSING

Ideal weather protection when mounting fan to wall. A wall housing provides an optimal method of mounting a sidewall propeller fan and their accessories. These housings reduce installation time, and allow the attachment of backdraft dampers, guards, and weatherhoods on either end of the housing.

Weatherhoods are available in both 45° (Relief) and 90° (Intake) configurations. They are recommended to help prevent water entrainment. The hoods are shipped separately.

Housings are constructed of G90 galvanized steel (mill finish) with flanges for mounting. Housings can be coated with an optional polyurethane protective finish.

Wall housing, fan, damper, and guards are shipped fully assembled. Weatherhoods are shipped loose.

## FAN WALL COLLAR

Fan wall collar is an alternative method of mounting a fan and optional damper in a wall. Housing is constructed of G90 galvanized steel (mill finish) with flanges for mounting. Housing can be coated with an optional polyurethane protective finish.

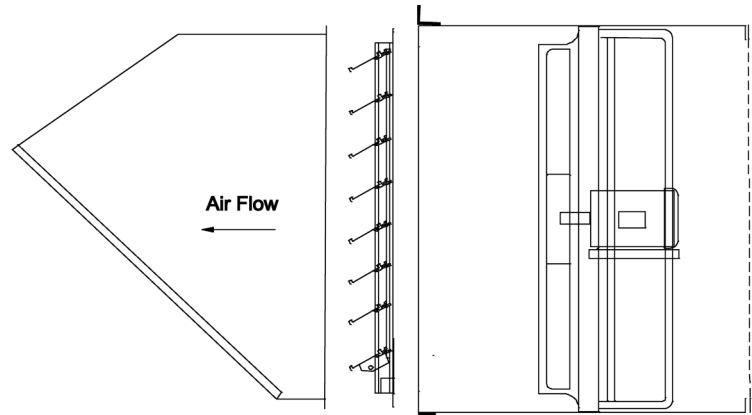
Optional motor side guards must be installed to meet safety requirements (see note below).

Weatherhoods are recommended to prevent water entrainment and are available in both 45° (Relief) and 90° (Intake) configurations.

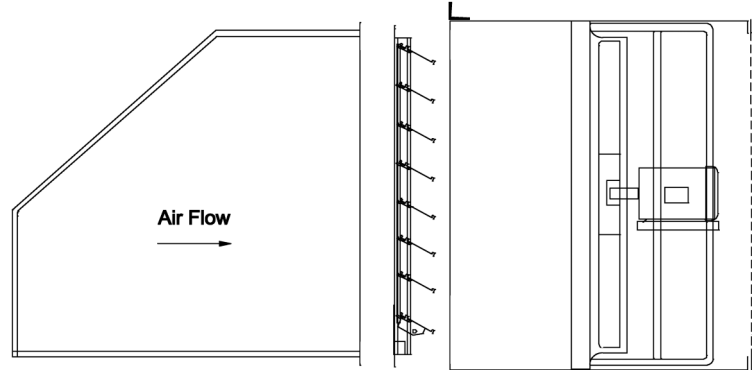
Wall collar, fan, damper, and guards are shipped fully assembled. Weatherhoods are shipped loose.

**CAUTION!** Guards must be installed when a fan is within reach of personnel or within seven (7) feet of working level or when deemed advisable for safety.

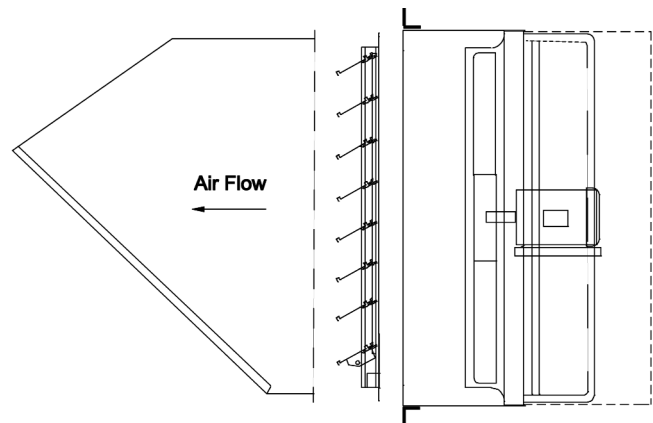
**Weatherhood Damper      Wall Housing w/Guard**



**Weatherhood Damper      Wall Housing w/ Guard**



**Weatherhood Damper      Wall Housing w/ Guard**





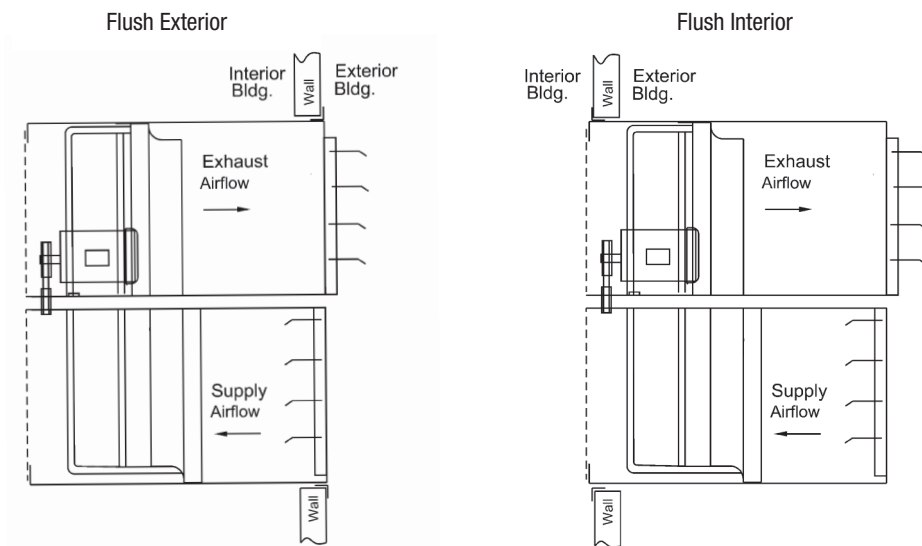
# Mounting Options

Different arrangements should be considered depending on several factors.

1. Accessibility for service may be desired from one side of the building vs. the other side.
2. The desired appearance by the designer.
3. Obstruction or space considerations.

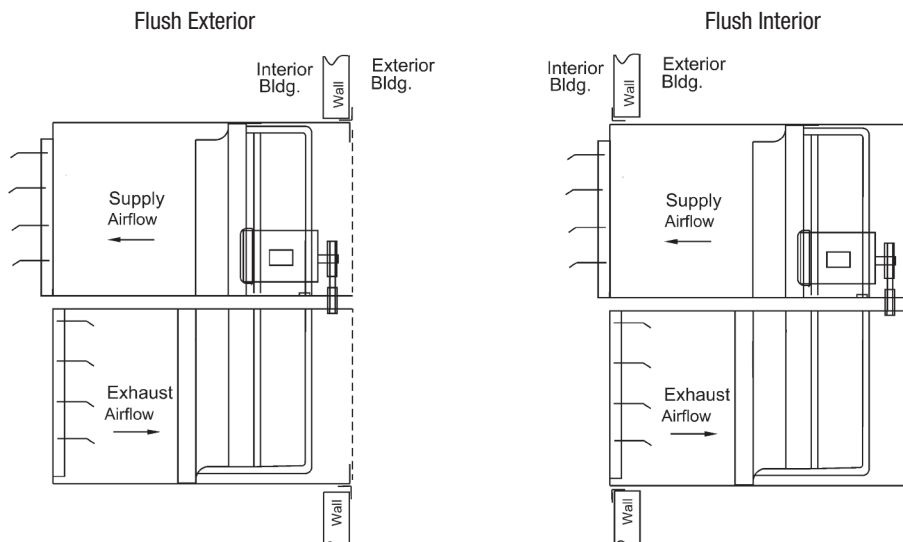
## Mounting Configuration for Interior Service

With this arrangement the drive components consisting of the belts, pulleys and motors are serviced from inside the building. This is a standard mount wall housing for interior service.



## Mounting Configuration for Exterior Service

With this arrangement the drive components consisting of the belts, pulleys and motors are serviced from outside the building in the opposite direction of the above configuration. This is a reverse mount wall housing for exterior service.



# Mounting Options

## Filtered Supply Wall Housing

Romlair filtered supply wall housings are available in fan sizes ranging from 24" to 54". Consult factory for custom designs which include larger sizes, and different filter quantities.

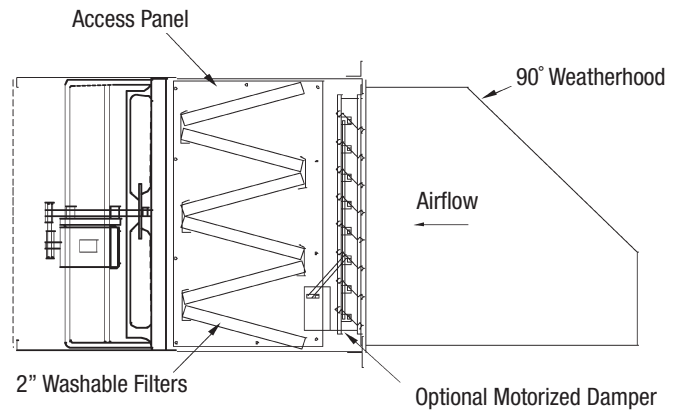
Standard construction is painted galvanized steel housing with installed mounting flanges for flush interior or flush exterior mounting. Standard filters are a 2 inch washable aluminum filters and are easily accessible through a bolted access panel. Accessories include a 90° intake weatherhood, closure angles, and dampers (automatic or motorized).

Diffusers are mounted on fan wall housing and are manually operated. They are available in both 2-way and 4-way models featuring airfoil blade, and heavy-gauge galvanized steel frames. Designed for a maximum velocity of 3000 fpm.

Optional closure angles are available to provide a finished appearance on the interior wall opening.

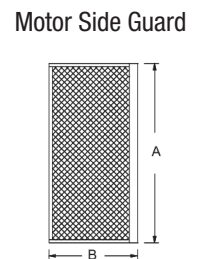
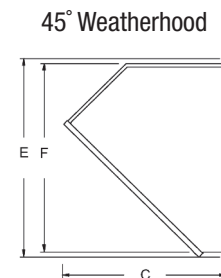
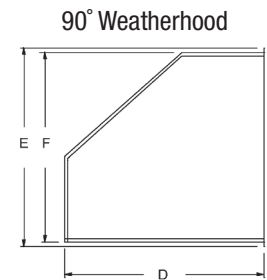


Typical Installation



## Dimensions for Accessories

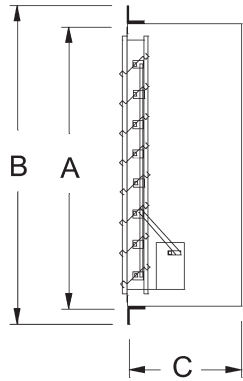
Size	Motor Side Guide		Damper	Weatherhood				
	A	B		C	D	E	Width	Gauge
10	N/A	N/A	10	15	13	15.25	13	20
12	14.75	9	12	16.5	15.5	18.25	15.5	20
14	14.75	12	14	17.5	17.5	20.25	17.5	20
16	19.75	12	16	19.5	19.5	22.25	19.5	20
18	21.75	12	18	22	21.5	24.25	21.5	20
20	23.75	12	20	24.5	23.5	26.25	23.5	18
24	29.875	20	24	26.875	27.5	30.25	27.5	18
30	35.875	20	30	31.125	33.5	36.25	33.5	18
36	41.875	20	36	35.375	39.5	42.25	39.5	18
42	47.875	24	42	39.625	45.5	48.25	45.5	18
48	53.875	24	48	43.875	51.5	54.25	51.5	18
54	59.875	24	54	46.625	57.5	60.25	57.5	16
60	65.875	35	60	50.375	63.5	66.25	63.5	16
72	79.875	35	72	54.0	75.5	79.5	75.5	12



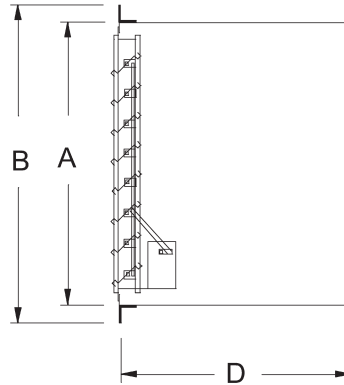


# Dimensions for Accessories

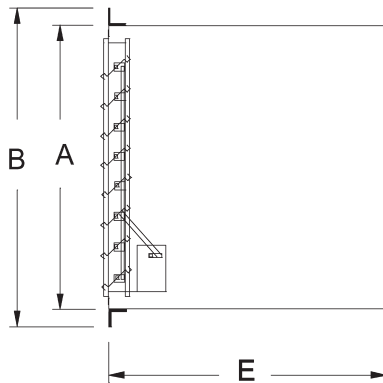
Wall Collar



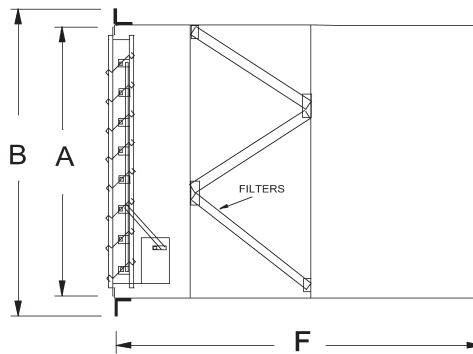
Standard Wall Housing



Long Wall Housing



Filtered Wall Housing



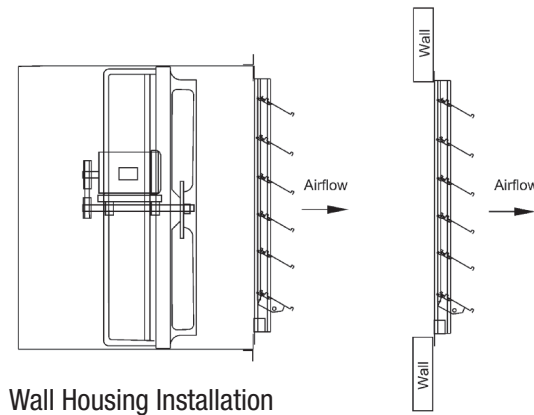
Size	Wall Collar and Housings							Gauge
	A	B	C	D	E	F	Wall Open	
10	15-3/8	18-3/8	16	19	25	-	16-3/8	20
12	18-3/8	21-3/8	16	23	29	-	19-3/8	20
14	20-3/8	23-3/8	18	26	32	-	21-3/8	20
16	22-3/8	25-3/8	18	27	33	-	23-3/8	20
18	24-3/8	27-3/8	18	28	34	-	25-3/8	20
20	26-3/8	29-3/8	18	32	38	-	27-3/8	18
24	30-3/8	36-3/8	18	37	43	63	31-3/8	18
30	36-3/8	42-3/8	18	38	44	65	37-3/8	18
36	42-3/8	48-3/8	18	39	45	67	43-3/8	18
42	48-3/8	54-3/8	19	44	50	73	49-3/8	18
48	54-3/8	60-3/8	19	44	50	73	55-3/8	18
54	60-3/8	66-3/8	20	52	58	80	61-3/8	16
60	66-3/8	72-3/8	21	54	60	-	67-3/8	16
72	80-3/8	86-3/8	22	60	66	-	81-3/8	12

# Backdraft Dampers

Romlair backdraft dampers can be used as stand alone or they can be used with both the wall collar and wall housing options. Many types of backdraft dampers are available to fit any requirement. Actuators are available for all electrical voltages. In some cases a step down transformer may be required.

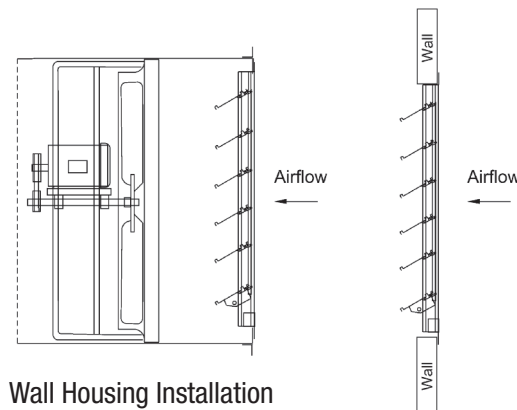


## Exhaust Dampers



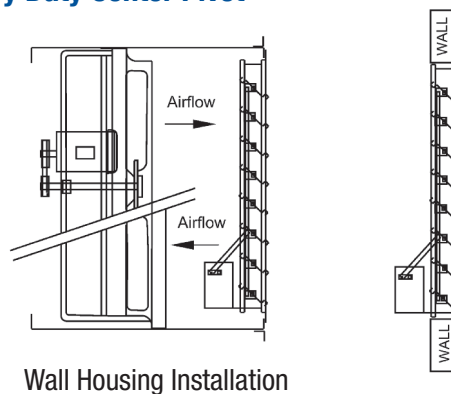
RWD and RWD-M exhaust dampers are available as either gravity operated or with motor actuator 115v

## Supply Dampers



RWD can be used as a supply dampers by installing as shown in the Wall housing illustration. RBDS-M should be used for high velocity and motorized supply applications.

## Exhaust or Supply - Heavy Duty Center Pivot



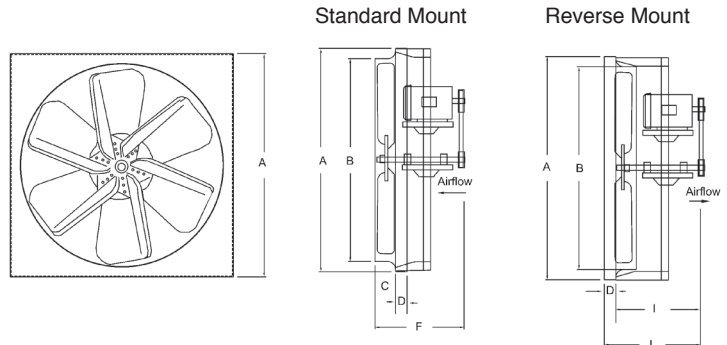
RVC can be used for both exhaust and supply configurations. Can be used with the wall housing or alone. Designed for higher air velocities than the standard backdraft dampers. Optional blade and jamb seals are available for low leakage applications.



# Fan Dimensional Data

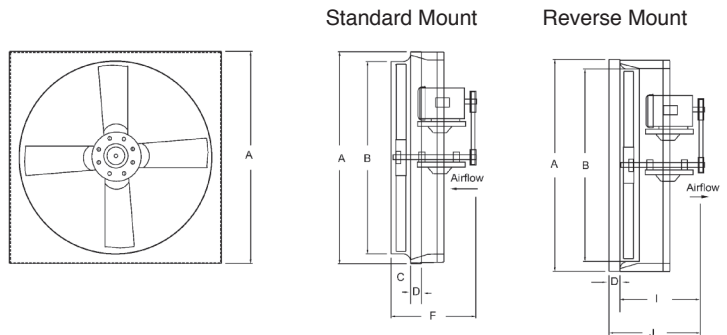
## Model PS Belt Drive - Steel Propeller

Size	Dimensions – Inches						
	A	B	C	D	F	I	J
24	30	25	5	2-3/4	18-5/8	17-3/8	20-1/8
30	36	31	5	2-3/4	19-3/4	18-3/4	21-1/2
36	42	37	5	2-3/4	23-1/4	21-1/2	24-1/4
42	48	43	5	2-3/4	24-3/4	23	25-3/4
48	54	49	5	2-3/4	25-3/4	24-7/8	27-5/8
54	60	55	5	2-3/4	26	27	29-3/4
60	66	61	5-1/2	2-3/4	24-1/2	27-1/2	30-1/4



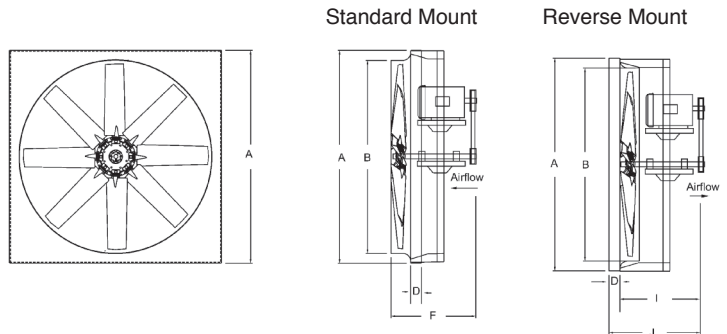
## Model PA Belt Drive - Cast Aluminum Airfoil Propeller

Size	Dimensions – Inches						
	A	B	C	D	F	I	J
24	30	25	5	2-3/4	18-5/8	17-3/8	20-1/8
30	36	31	5	2-3/4	19-3/4	18-3/4	21-1/2
36	42	37	5	2-3/4	23-1/4	21-1/2	24-1/4
42	48	43	5	2-3/4	24-3/4	23	25-3/4
48	54	49	5	2-3/4	25-3/4	24-7/8	27-5/8
54	60	55	5	2-3/4	26	27	29-3/4
60	66	61	5-1/2	2-3/4	24-1/2	27-1/2	30-1/4
72	80	73	5-1/2	2-3/4	28-1/2	31-1/2	34-1/4



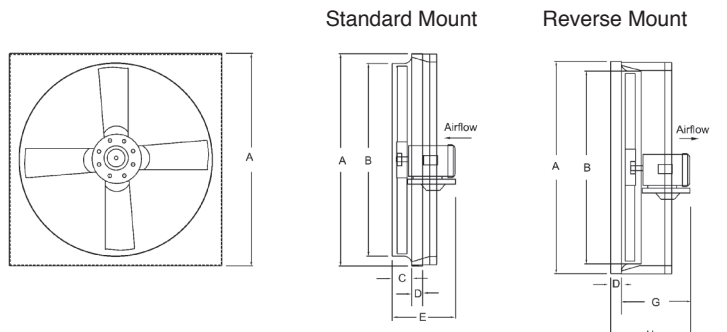
## Model PATW Belt Drive - Reversible Cast Aluminum Propeller

Size	Dimensions – Inches						
	A	B	C	D	F	I	J
24	30	25	5	2-3/4	15-5/8	16-1/8	18-7/8
30	36	31	5	2-3/4	15-3/4	16-1/4	19
36	42	37	5	2-3/4	21-1/4	19	21-3/4
42	48	43	5	2-3/4	21-3/4	20-1/8	22-7/8
48	54	49	5	2-3/4	26-3/4	22-5/8	25-3/8
54	60	55	5-1/2	2-3/4	26	25-7/8	28-5/8
60	66	61	5-1/2	2-3/4	26-1/2	25-7/8	28-5/8



## Model P Direct Drive - Cast Aluminum Airfoil Propeller

Size	Dimensions – Inches						
	A	B	C	D	E	G	H
24	30	25	5	2-3/4	15-5/8	16-1/8	18-7/8
30	36	31	5	2-3/4	15-3/4	16-1/4	19
36	42	37	5	2-3/4	21-1/4	19	21-3/4
42	48	43	5	2-3/4	21-3/4	20-1/8	22-7/8
48	54	49	5	2-3/4	26-3/4	22-5/8	25-3/8
54	60	55	5-1/2	2-3/4	26	25-7/8	28-5/8



## Model PS Belt Drive Performance Data

MODEL	HP	FAN RPM	MAX BHP	*SONES	STATIC PRESSURE/CAPACITY									
					0	0.1	0.125	.20	.25	.375	.5	.625	.75	
PS-241	1/4	725	.30	11.1	5577	4764	4510	2957						
PS-242	1/3	795	.39	13.0	6116	5374	5189	4100						
PS-243	1/2	882	.60	15.7	6785	6116	5949	5319	4476					
PS-244	3/4	1045	.89	24	8039	7475	7334	6910	6592	4915				
PS-245	1	1152	1.20	28	8862	8350	8222	7838	7582	6599				
PS-303	1/2	645	.60	14.4	9622	8491	8208	6807						
PS-304	3/4	740	.90	17.4	11039	10053	9807	8997	8059					
PS-305	1	812	1.20	19.9	12113	11215	10990	10316	9715	6101				
PS-306	1-1/2	930	1.80	25	13873	13089	12893	12305	11912	10424	6842			
PS-307	2	995	2.20	28	14843	14110	13927	13377	13010	11910	10165			
PS-308	3	1173	3.60	41	17498	16876	16721	16255	15944	15166	14291	12811		
PS-364	3/4	525	.89	13.5	14205	12630	12157	9877						
PS-365	1	580	1.20	13.3	15693	14300	13907	12225	10736					
PS-366	1-1/2	661	1.8	20	17884	16710	16365	15276	14187	8927	6514			
PS-367	2	708	2.20	22	19156	18084	17766	16799	16051	13045	8001			
PS-368	3	834	3.60	29	22565	21655	21428	20637	20090	18377	15788	10435		
PS-425	1	454	1.20	13.4	19035	17018	16402	14125	10248					
PS-426	1-1/2	518	1.80	17.8	21723	19986	19529	17854	16500					
PS-427	2	570	2.40	20	23904	22326	21931	20534	19473	15728				
PS-428	3	651	3.54	24	27301	25919	25573	24499	23639	21297	15512			
PS-429	5	774	6.00	32	32459	31297	31006	30134	29553	27794	25809	23001	16325	
PS-485	1	408	1.80	15.8	23360	23887	23131	20305	15484					
PS-486	1-1/2	449	2.40	18.6	29009	26796	26180	23957	21980					
PS-487	2	514	3.60	24	33208	31275	30792	29102	27773	23116				
PS-488	3	609	6.0	32	39345	37714	37306	36083	35104	32323	28424			
PS-489	5	695	8.90	44	44902	43472	43115	42043	41328	39185	36641	33233		
PS-547	2	418	3.60	26	36195	33237	32455	29379	17385					
PS-548	3	489	6.00	35	42343	39815	39183	37193	35308	29754	22541			
PS-549	5	571	8.90	48	49444	47278	46737	45098	43951	40072	35321	30418		
PS-5410	7-1/2	627	11.80	54	54293	52321	51828	50349	49336	46383	42517	37757	33488	
PS-608	3	342	3.60	23	44869	39751	38412	33293						
PS-609	5	405	6.0	31	53134	48847	47763	44108	41198					
PS-6010	7-1/2	464	9.0	38	60874	57133	56197	53303	51169	44821				
PS-6011	10	505	11.6	43	66253	62816	61956	59352	57538	52010	42600			

## Model PA Belt Drive Performance Data

MODEL	HP	FAN RPM	MAX BHP	*SONES	STATIC PRESSURE/CAPACITY									
					0	0.1	0.125	.25	.375	.5	.625	.75	1.00	
PA-242	1/3	825	.39	14.4	5686	5128	4964	3738						
PA-243	1/2	940	.58	17.6	6479	6014	5871	4998						
PA-244	3/4	1080	.89	21	7443	7046	6945	6312	5409					
PA-245	1	1190	1.19	24	8202	7841	7751	7207	6494	5569				
PA-303	1/2	689	.59	17.4	9507	8286	7926							
PA-304	3/4	790	.88	21	10900	9872	9582	7851						
PA-305	1	870	1.18	24	12004	11070	10836	9410						
PA-306	1-1/2	998	1.78	29	13770	12956	12752	11603	10246					
PA-307	2	1100	2.39	33	15177	14439	14254	13273	12128	10751				
PA-308	3	1258	3.57	42	17357	16711	16550	15743	14801	13792	12599	11436		
PA-364	3/4	785	.90	21	13434	12239	11935	10292	7484					
PA-365	1	860	1.18	23	14718	13630	13353	11868	10021					
PA-366	1-1/2	985	1.78	29	16857	15912	15672	14421	13107	11346				
PA-367	2	1085	2.38	34	18568	17711	17496	16398	15191	14016	12228			
PA-368	3	1245	3.59	44	21306	20559	20372	19423	18434	17378	16355	14970		
PA-369	5	1475	5.97	64	25242	25242	24454	23664	22855	22028	21136	20754	18308	
PA-425	1	687	1.20	27	17175	15895	15535	13466	10601					
PA-426	1-1/2	787	1.80	31	19675	18601	18287	16680	14545	11976				
PA-427	2	866	2.40	36	21650	20707	20424	18978	17300	15202	12603			
PA-428	3	991	3.60	43	24775	23951	23744	22511	21225	19683	17851	15803		
PA-429	5	1175	6.0	57	29375	28680	2806	27544	26491	25403	24178	22827	19511	
PA-486	1-1/2	660	1.79	31	25600	23506	22936	19896	15710					
PA-487	2	730	2.40	36	28315	26435	25944	23304	20134	14964				
PA-488	3	834	3.60	33	32349	30704	30292	28037	25633	22720	18510			
PA-489	5	988	6.0	59	38322	36933	36586	34793	32889	30817	28646	25826	16616	
PA-4810	7-1/2	1132	9.0	73	43907	42695	42392	40878	39241	37580	35779	33906	29286	
PA548	3	579	3.60	31	33597	31760	31297	28563	25328	19459				
PA-549	5	686	6.0	41	39806	38261	37870	35782	33337	30607	26127	21132		
PA-5410	7-1/2	785	9.0	53	45550	44203	43864	42126	40169	37983	35613	32287	23448	
PA-5411	10	865	12.03	63	50193	48970	48664	47116	45430	43570	41554	39402	32746	
PA-608	3	527	3.60	33	39925	36892	36215	31977	26268					
PA-609	5	625	6.0	42	47349	44681	44110	40928	37217	32403	25066			
PA-6010	7-1/2	715	9.0	55	54167	51813	51233	48716	45636	42288	38238	32950		
PA-6011	10	788	12.0	66	59697	57562	57028	54683	52101	49228	46096	42473	31252	
PA-729	5	569	5.97	52	58932	55636	54753	50207	44688	37124				
PA-7210	7-1/2	649	8.89	64	67218	64328	63606	59717	55623	50438	43797			
PA-7211	10	715	11.90	77	74054	71431	70775	67307	63681	59828	54845	48696		
PA-7212	15	820	17.94	105	84929	82641	82070	79143	76048	72856	69591	65403	55235	

\*Performance notes for Models PS and PA are at the bottom of page 10.



## Model PATW Belt Drive Performance Data

MODEL	HP	FAN RPM	MAX BHP	*SONES	STATIC PRESSURE/CAPACITY									
					0	0.1	0.125	.25	.375	.5	.625	.75	1.00	
PATW-241	1/4	902	.27	14	5128	4442	4249							
PATW-242	1/3	993	.37	16	5645	5038	4863							
PATW-243	1/2	1137	.57	19	6464	5942	5806	4928						
PATW-244	3/4	1301	.88	24	7396	6940	6826	6183	4785					
PATW-245	1	1432	1.14	28	8141	7727	7623	7062	6350	4570				
PATW-303	1/2	837	.59	19	9101	8006	7661							
PATW-304	3/4	958	.89	24	10417	9530	9236	7309						
PATW-305	1	1055	1.10	28	11472	10685	10462	9094						
PATW-306	1-1/2	1208	1.79	33	13136	12448	12277	11156	9743					
PATW-307	2	1329	2.35	38	14451	13827	13671	12731	11645	9043				
PATW-308	3	1521	3.56	48	16539	15993	15857	15144	14209	13260	11867			
PATW-364	3/4	763	.82	23	12753	11363	10972							
PATW-365	1	838	1.15	27	14007	12774	12418	10127						
PATW-366	1-1/2	961	1.79	31	16063	15044	14730	13192	10213					
PATW-367	2	1056	2.27	36	17651	16723	16483	15069	13368					
PATW-368	3	1209	3.42	46	20208	19328	19196	18016	16796	15101				
PATW-425	1	716	1.17	27	17434	15436	14885							
PATW-426	1-1/2	820	1.80	33	19966	18276	17797	14879						
PATW-427	2	902	2.38	38	21963	20458	20036	17757	13049					
PATW-428	3	1033	3.52	49	25153	23839	23510	21631	19286					
PATW-429	5	1224	5.88	68	29803	28694	28417	26933	25312	23350	19917			
PATW-486	1-1/2	689	1.78	33	24378	21392	20453	14553						
PATW-487	2	758	2.36	38	26819	24252	23399	18493						
PATW-488	3	867	3.56	46	30676	28562	27913	24184	19210					
PATW-489	5	1028	5.92	63	36372	34590	34144	31228	27907	23707				
PATW-4810	7-1/2	1178	9.13	84	41680	40214	39735	37503	34759	31764	28108	23919		
PATW-548	3	622	3.41	35	32038	29474	28752	24486						
PATW-549	5	737	5.59	45	37961	35889	35299	32252	28243					
PATW-5410	7-1/2	844	8.83	57	43472	41663	41211	38592	35614	32051	24896			
PATW-5411	10	929	11.87	70	47850	46207	45796	43501	41084	38039	34658	28147		
PATW-608	3	548	3.43	35	36238	32450	31389	24853						
PATW-609	5	650	5.50	45	43379	40269	39492	34921	28826					
PATW-6010	7-1/2	744	8.67	57	49652	46936	46256	42534	38345	32626				
PATW-6011	10	819	11.63	70	54658	52190	51573	48314	44666	40492	35179			

## Model P Belt Drive Performance Data

MODEL	HP	FAN RPM	MAX BHP	*SONES	STATIC PRESSURE/CAPACITY									
					0	0.1	0.125	.25	.375	.5	.625	.75	1.00	
P-242-11	1/3	1160	.39	19	5501	5010	4891	4208	3446					
P-243-11	1/2	1160	.61	22	6054	5690	5592	5103	4516	3712				
P-244-11	3/4	1160	.88	25	7321	6941	6840	6311	5648	4821				
P-245-17	1	1750	1.18	41	7805	7505	7430	7009	6606	6191	5737	5215		
P-246-17	1-1/2	1750	1.82	44	8647	8414	8356	8056	7751	7430	7075	6704	5808	
P-247-17	2	1750	2.40	52	9818	9596	9541	9251	8932	8573	8210	7835	6955	
P-303-8	1/2	860	.60	20	9483	8423	8120	6284						
P-304-8	3/4	860	.88	22	10500	9930	9752	8441	6521					
P-305-8	1	860	1.02	22	11304	10488	10284	8986	6938					
P-305-11	1	1160	1.22	29	10786	10270	10138	9442	8629	7698	6411			
P-306-11	1-1/2	1160	1.88	31	13396	12869	12741	12061	11202	10182	8954			
P-307-11	2	1160	2.35	35	14927	14302	14145	13352	12500	11388	10025			
P-364-8	3/4	860	.87	33	13586	12221	11879	9574						
P-365-8	1	860	1.20	24	15052	14018	13715	12200	10314					
P-366-8	1-1/2	860	1.88	29	17378	16299	16005	14470	12314					
P-365-11	1	1160	1.19	33	14590	13421	13130	11557	9301					
P-366-11	1-1/2	1160	1.84	38	17299	16306	16046	14706	13182	11323	8495			
P-367-11	2	1160	2.43	42	18082	17340	17155	16175	15142	14037	12558	10606		
P-368-11	3	1160	3.55	43	21998	21166	20958	19907	18793	17571	16158	14274		
P-425-8	1	860	1.15	34	14917	13745	13422	11639	9375	6578				
P-426-8	1-1/2	860	1.65	34	17968	16981	16708	15083	13086	10043				
P-427-8	2	860	2.23	35	21349	20112	19793	18219	16137	13776				
P-428-8	3	860	3.12	35	24484	23339	23018	21392	19302	16745	12328			
P-486-8	1-1/2	860	1.79	44	23303	21701	21264	18953	16189	12795	7380			
P-487-8	2	860	2.35	47	26755	24958	24508	22193	19570	16262	11373			
P-488-8	3	860	3.41	50	31811	30082	29650	27274	24783	21435				
P-489-8	5	860	5.62	51	3475	37613	37119	34503	31576	28043				
P-4810-8	7-1/2	860	7.68	52	43722	41737	41152	38122	35212	31038				
P-547-8	2	860	2.45	41	26755	24958	24508	22193	19570	16262	11373			
P-548-8	3	860	3.52	50	31909	30065	29576	26971	23521	19790	15492	10342		
P-549-8	5	860	5.80	45	42794	40911	40440	37609	34898	31383	27518	20263		
P-5410-8	7-1/2	860	9.0	50	51718	49469	48908	45858	43139	39700	35377	30238		

\* Performance shown for Models PS, PA, PATW and P is for Installation type A: free inlet. Power rating (BHP) does not include drive losses. Performance ratings does not include the effects of accessories in the airstream. The sound ratings shown are loudness values in fan sones at 5'.



# MODEL SPF – SMALL PANEL FANS

## CONSTRUCTION

Sizes 8-10 and 12" are mounted in protective wire guards and larger sizes supported by tubular struts welded to a one piece venturi. This venturi combined with quiet slow speed motors assures a quiet and positive air displacement.

## OPTIONAL ACCESSORIES

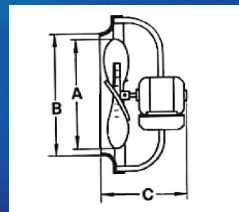
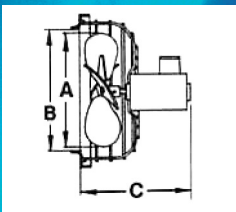
Wire guards are available for sizes 14 thru 20. Wall shutters can also be supplied and are usually ordered the same size as the panel O.D.



8, 10, 12" Models



14 thru 20" Models



Model	HP	RPM	Wall Collar and Housings		Inches			Panel O.D. SQ.
			CFM		A	B	C	
			0" SP	1/8" SP				
SPF-8A	1/40	1550	336	222	8	8-1/2	7	10-3/4
SPF-10A	1/40	1550	460	304	10	10-1/2	7	13-3/4
SPF-10B	1/20	1550	610	420	10	10-1/2	9	13-3/4
SPF-12A	1/40	1550	660	510	12	12-1/2	7	15
SPF-12B	1/20	1550	950	735	12	12-1/2	9	15
SPF-14A	1/20	1550	1120	835	14	14-3/4	9	18
SPF-14B	1/6	1140	1420	1045	14	14-3/4	12	18
SPF-16A	1/6	1140	1620	1545	16	16-3/4	13	20
SPF-16B	1/4	1725	2550	2345	16	16-3/4	13	20
SPF-18A	1/6	1140	2280	2115	18	18-3/4	13	22
SPF-18B	1/4	1140	2920	2730	18	18-3/4	13	22
SPF-20A	1/6	1140	2510	2345	20	20-3/4	13	24
SPF-20B	1/4	1140	3260	3000	20	20-3/4	13	24

## 1 YEAR WARRANTY

Romla Ventilator Company warrants this equipment to be free from defects in material and workmanship under normal use and service for a period of one year from date of delivery. During the warranty period if any parts prove to be defective, they will be repaired or replaced free of charge at factory option: If upon receipt of written authorization they are delivered prepaid to the factory. This guarantee does not cover any damage caused by neglect of lubrication, accident or overload, improper installation, nor does it cover the cost of repairs made or attempted outside the factory, without authorization from Romla Ventilator Company. Electric motors are guaranteed only to the extent of the motor manufacturer's warranty.

Romla Company is not responsible for the cost of removal of the defective product or part, or the installation of the repaired or replaced product or part. Correction of any verified defects by repair or replacement shall constitute fulfillment of this warranty.

Distributed By



ROMLA VENTILATOR COMPANY  
 9668 Heinrich Hertz Drive, Unit D  
 San Diego, California 92154  
 619/946-1224 • Fax 619/946-1227 • [www.romlair.com](http://www.romlair.com)