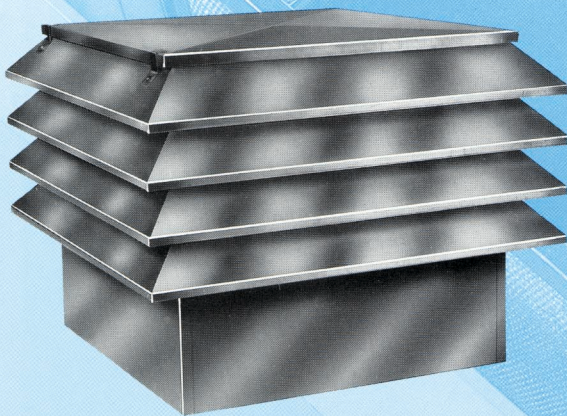
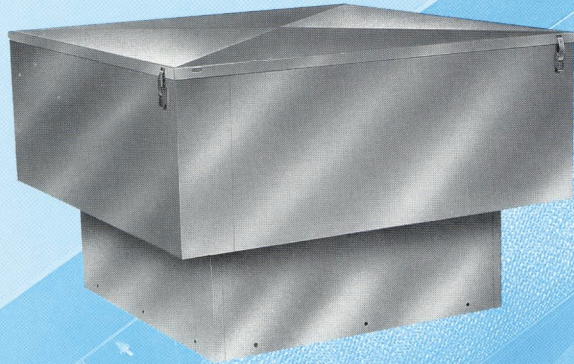


ROMLAIR

CATALOG RCF-93
JANUARY 1993

Filtered Roof Supply Fans

MODEL RCF and RCF-T

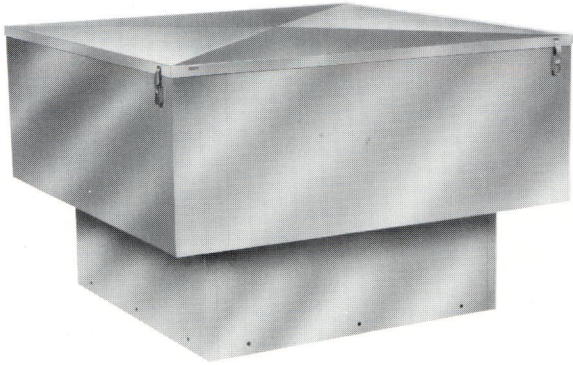


VALUE - DEPENDABILITY - PERFORMANCE

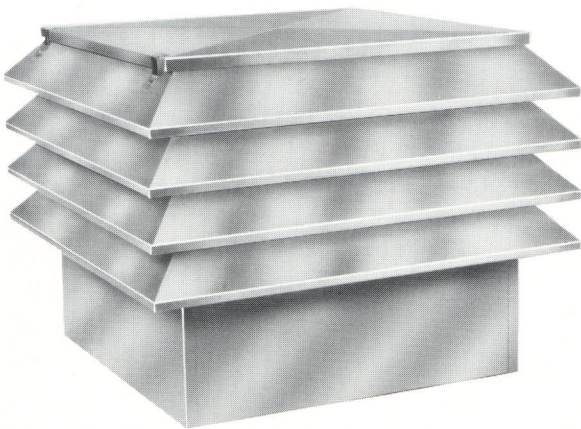
ROMLAIR

MODEL RCF and MODEL RCF-T Filtered Roof Supply Units

Romlair Models RCF and RCF-T Filtered, fresh air supply fans are available in six sizes with capacities from 650 cfm to 14,000 cfm and static pressures to 2". Both models feature belt driven width, forward curved wheels for high efficiency and low sound levels. Applications include make-up air for use in restaurants, schools, high rise apartments, and many other commercial industrial applications.



MODEL RCF



MODEL RCF-T

MODEL RCF

The RCF features a sturdy hood constructed of heavy gauge galvanized steel and painted with corrosion resistant enamel finish. The hood is designed to provide unrestricted airflow and maximum weather protection. One inch washable aluminum filters are standard (optional "throw-away" filters are available). The removable insulated cover allows quick access to filters, blower, and motor for service and inspection. Holes are prepunched in the fan base for ease of installation.

MODEL RCF-T

The RCF-T features a louvered penthouse hood constructed of heavy gauge extruded aluminum louvers with mitered and welded corners. It is designed for applications where a louvered appearance is preferred. The RCF-T offers the same performance and quality construction as the Model RCF.

GUIDE SPECIFICATIONS

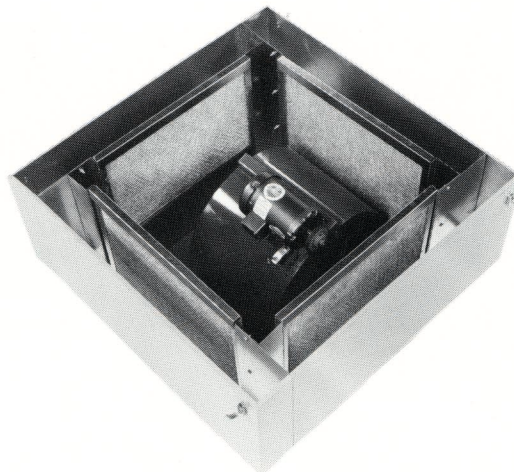
Contractor shall furnish and install as indicated on plans Romla Model roof mounted, filtered air supply fans as manufactured by Romla Ventilator Co.. Fans shall be of the belt driven, double width, double inlet (DWDI), forward curve centrifugal blower type. The unit's blower assembly shall be mounted on rubber mounts to prevent noise transmission into the building. Motor drives shall be of the machine cast iron type and adjustable for final system balancing. Drives shall be sized for a minimum of 165% of driven horsepower. Belts shall be non-static and oil resistant. The RCF shall have a galvanized hood of adequate size to prevent rain and snow from entering the building. An insulated cover shall be held in place with four secure latches for quick and easy access. The RCF-T shall have a heavy gauge extruded aluminum louvered hood with a removable aluminum cover. Filters shall be one inch washable aluminum filters. Fans shall be rated in accordance with AMCA Bulletin 210-74 Test Code, and guaranteed by the manufacturer to deliver at the rated performance levels.

CONSTRUCTION FEATURES

Motors - Heavy Duty Ball Bearing Motors.

Drives - Drives are sized for 165% of Motor Horsepower and are of the Cast Iron Type.

Motor Mounts - A Pivoting Motor Mount with Screw Adjustment is Provided.



Filters - 1" Washable Aluminum Filters are Standard (1" throw-away" are optional).

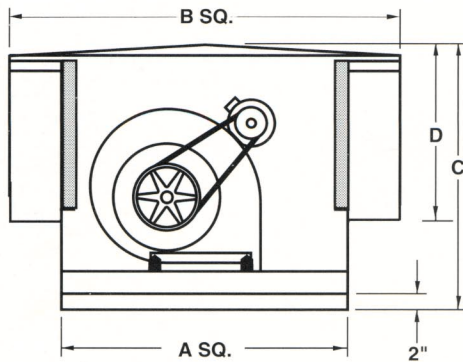
Rubber Mounts - The Entire Fan and Motor Assembly is Mounted on Rubbermounts to Prevent Noise Transmission into the Building.

Blower - Is a Double Width Double Inlet (DWDI) Forward Curved Centrifugal Type.

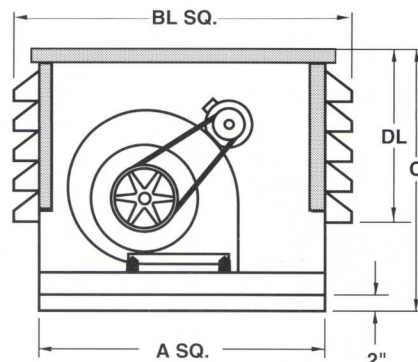
ROMLAIR

MODEL RCF and MODEL RCF-T Filtered Roof Supply Units

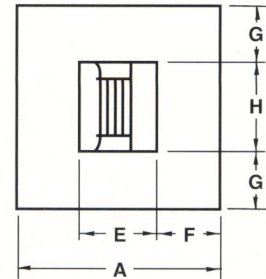
Dimensional Data



RCF



RCF-T



BASE OF UNIT

DIMENSIONS														
FAN SIZE	A	B	BL	C	D	DL	E	F	G	H	NOMINAL FILTERS	LOUVER TIERS RCF-T	TYPE CF CURB DIM	APPROX. WT.
9	24 3/8	32 3/8	10 1/4	24 3/8	10 1/4	14 1/2	10 1/4	7 1/6	6 9/32	11 13/16	(4) 10 X 20	3	22 1/2 X 22 1/2	230
10	28 3/8	38 1/2	12 1/4	28 1/4	12 1/4	14 1/2	11 3/8	8 1/2	7 5/8	13 1/8	(4) 12 X 24	3	26 1/2 X 26 1/2	250
12	32 3/8	42 5/8	16 1/2	31 3/8	16 1/2	19	13 7/16	9 3/8	8 3/8	15 5/8	(4) 16 X 25	4	30 1/2 X 30 1/2	290
15	32 3/8	42 5/8	16 1/2	31 3/8	16 1/2	19	15 7/8	12 5/16	6 7/8	18 5/8	(4) 16 X 25	4	30 1/2 X 30 1/2	330
18	36 3/8	48 5/16	20 3/4	37 1/4	20 3/4	23 1/2	18 7/8	11 1/2	7 1/4	21 7/8	(4) 20 X 15	5	34 1/2 X 34 1/2	500
20	44 3/8	64	27	49	27	28	24 3/4	5 3/16	9 13/16	24 3/4	(4) 16 X 25 (4) 20 X 25	6	42 1/2 X 42 1/2	700

OPTIONAL ACCESSORIES

ROOF CURBS

Curbs are welded 18 gauge, galvanized steel: available as self-flashing type (Type SF) or as Roofed-Over-Flashing type with built in cant strip and wood nailer (Type CF). For Type CF curb dimensions refer to dimensional data on page 4.

DUCT ADAPTERS

The duct adapter fits over the roof curb to facilitate the installation of ductwork before the fan is placed on the roof curb. For dimensional information refer to engineering submittal sheet.

BACKDRAFT DAMPERS

Model RCB counterbalanced intake dampers (downflow) for horizontal mounting inside ductwork or on damper shelf in roof curb.

WARRANTY

The Romla Ventilator Company warrants this equipment to be free from defects in material and workmanship under normal use and service for a period of one year from date of delivery. During the warranty period if any parts prove to be defective, they will be repaired or replaced free of charge at factory option: If upon receipt of written authorization they are delivered prepaid to the factory. This guarantee does not cover any damage caused by neglect of lubrication, accident or overload, improper installation, nor does it cover the cost of repairs made or attempted outside the factory, without authorization from Romla Co. Electric Motors are guaranteed only to the extent of the motor manufacturer's warranty.

Romla Co. is not responsible for the cost of removal of the defective product or part, or the installation of the repaired or replaced product or part. Correction of any verified defects by repair or replacement shall constitute fulfillment of this warranty.

ROMLA VENTILATOR CO.
1664 W 139TH STREET
GARDENA, CALIFORNIA 90249

(310) 538-9188
FAX (310) 538-5157

DISTRIBUTED BY