

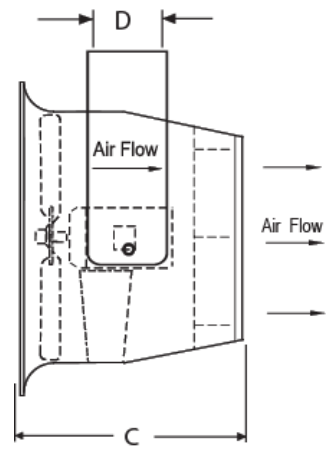
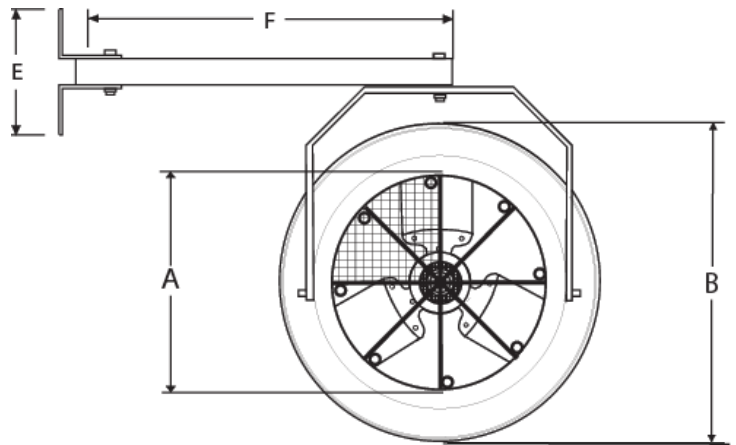


**Model R-DF Romulator  
Ultra-High Performance -  
Energy Saving Dock Door Fan**

The Romulator is designed for recirculating the air in semi-truck trailers and around loading docks. The new advanced design greatly increases the air velocity performance deep inside 53' trailers over other designs. This provides more comfort and higher productivity for workers loading and unloading inside the trailer.

**Features**

- Low amp applications
- Direct driven
- Attractive nozzle design with spun inlet bell
- Integral air straightener to reduce air swirl
- High performance zinc-alum propeller
- Heavy duty safety guards on both the inlet and outlet.
- Power cord furnished on 115v units only
- Fan housing coated with thermally fused powdered polyurethane black finish



**ROMLA VENTILATOR CO.**  
9668 Heinrich Hertz Drive • Unit D  
San Diego, California 92154  
Ph (619) 946-1224 Fax (619) 946-1227

AF-DF DIMENSIONS AND WEIGHTS										
SIZE MODEL	CFM	RPM	HP	A	B	C	D	E	F	SHIP WT
R-DF-18	3950	1725	1/2	16	24	17	4	10	26	82

**SPECIFICATIONS**

QTY	MODEL NO.	TAG	AREA OF COVERAGE (SQ FT)	DISTANCE AIR THROW (FT)	CFM	RPM	HP	VOLTS	PH	HZ	TYPE

<p><b>PROJECT:</b> <b>LOCATION:</b> <b>SUBMITTED BY:</b> <b>DATE:</b></p>	<p><b>CONTRACTOR:</b> <b>ENGINEER:</b> <b>APPROVED BY:</b> <b>DATE:</b></p>
---	---