



## INSTALLATION AND MAINTENANCE INSTRUCTIONS MODEL R-DF DOCK FANS - STANDARD MOUNTING

### THE ROMULATOR DOCK DOOR FAN

#### MODEL R-DF DOCK FANS

These fans are designed for recirculating the air in semi-truck trailers and around loading docks.

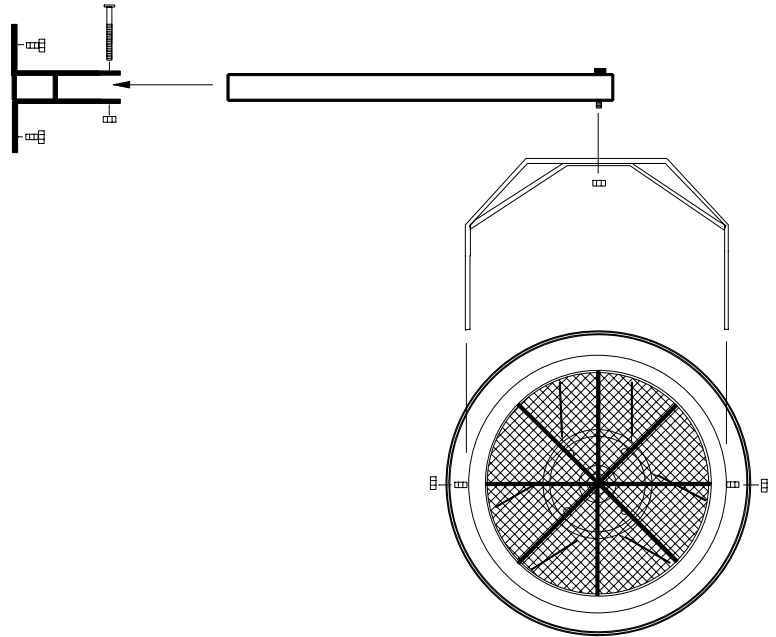
#### SHIPPING INSPECTION

Upon receiving unit, check for any damage and report it immediately to the shipper. Also check to see that all accessory items are accounted for.

#### INSTALLATION

The fan should be placed to fit in the upper corner of the dock door (see detail on page 2). This will enable the fan to blow air along the top of the trailer, forcing the hot air out the bottom part of the trailer. The fan should be at a height where the employees will not bump their heads.

1. Fasten and secure the wall mount bracket and arm to the wall or other solid surface such as a beam.
2. Fasten and secure the fan yoke (upside down "U" shaped bracket) to the arm of the wall bracket. Refer to the above illustration. **The "U" shaped yoke has to open down for clearance purposes.** Use the 5/8" bolts and nuts supplied with the fan.
3. The fan section fits inside of the "U" shaped yoke bracket. The threaded rods on each side of the fan section fit through the predrilled holes on the yoke. Fasten the fan section to the yoke bracket with the supplied nuts. Mount the fan section so that the motor mount bracket is below the fan motor.
4. Wire guards are provided on both the intake and exhaust sides of the fan. These guards may need to be removed to access the motor's internal wiring. Use the tex screws provided and secure through the eyelets provided on the guards.
5. Single phase 115v units are standard with a 12 foot cord and connector for standard 115v electrical outlets. Feed the power cord through the square tubing (arm) to prevent tangling of excess cord (see mounting detail on page 2). Three phase units are not supplied with cord and connector. These will need to be supplied with an appropriate cord and connector or hard wired directly to 3 phase power.

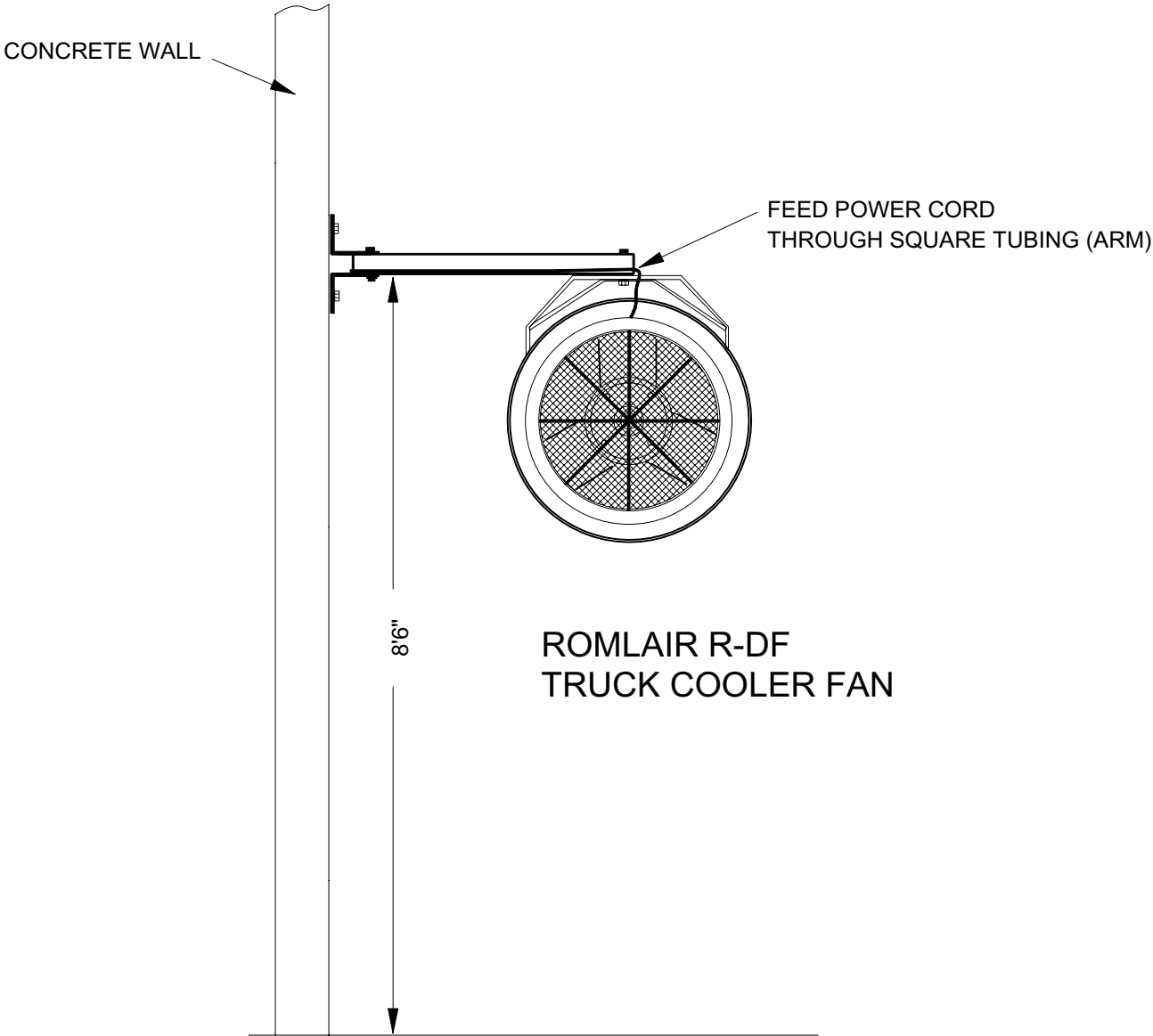


6. Check fan rotation upon startup. Standing in front of fan, the blade should be turning clockwise. If rotation needs to be reversed this usually can be accomplished by reversing the connection wires.

#### IMPORTANT SAFETY INFORMATION

1. **Comply with all local, state and federal codes. Verify that the phase and voltage confirm to the motor and name plate information.**
2. **Motor needs to be adequately grounded.**
3. **When wiring the motor all isolated wires need to be capped off with plastic wire nuts. Bare uninsulated wires may cause an electrical shock.**
4. **Disconnect all remote power sources before performing any maintenance**
5. **OSHA requires that guards must be installed when a fan is within reach of personnel or within seven (7) feet of working level or when deemed advisable for safety.**

TYPICAL MOUNTING DETAIL  
(REFER TO PLANS TO VERIFY MOUNTING DIMENSIONS)



9668-D Heinrich Hertz Drive, San Diego, CA 92154 PH: 619-946-1224