



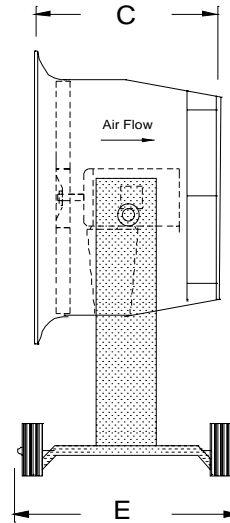
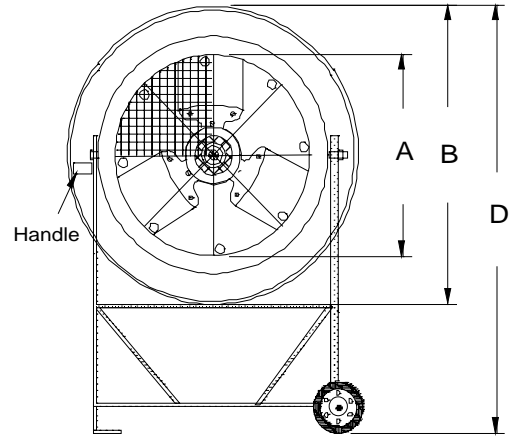
Model R-PB
Ultra-High Performance
Portable Fan

The new patent pending R-PB is designed for maximum air throw and velocity. The new advanced design greatly increases the air velocity performance 300-400% increase over similar fans. This provides more comfort and higher productivity for workers.

Features

- Direct driven.
- High performance zinc-alum propeller on sizes 14 thru 22. PPG polyester low sound propeller used on the 30" size
- Attractive deep spun 16 gauge steel housing.
- Safety guards on both the inlet and exhaust side of fan.
- Power cord furnished on single phase units only.
- Fan housing coated with a thermally fused powdered polyurethane yellow finish.
- 5 year warranty.

ROMLA VENTILATOR CO.
9668 Heinrich Hertz Drive • Unit D
San Diego, California 92154
Ph (619) 946-1224 Fax (619) 946-1227



SIZE	A	B	C	D	E	SHIP WT
14	12	20-1/4	17-3/4	40-5/8	17-3/4	151
18	16	24	17-3/4	42-1/2	17-3/4	160
22	20	28-1/2	17-3/4	44-3/4	17-3/4	173
30	28	37	23-3/4	51	23-3/4	230

SPECIFICATIONS

QTY	MODEL NO.	TAG	CFM	RPM	HP	VOLTS	PH	HZ	TYPE	NOTES

<p>PROJECT: LOCATION: SUBMITTED BY: DATE:</p>	<p>CONTRACTOR: ENGINEER: APPROVED BY: DATE:</p>
--	--