

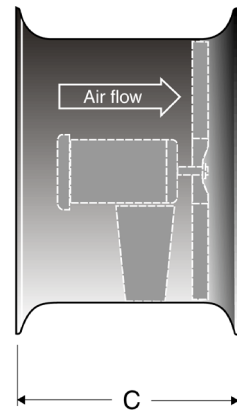
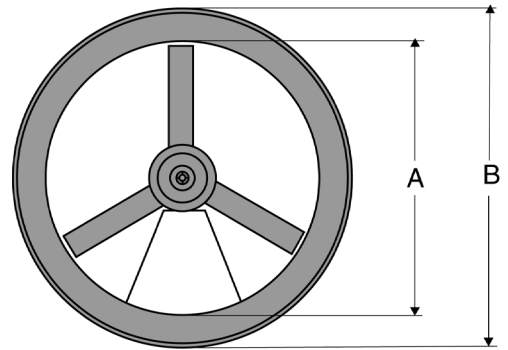


**Model AF-CS**  
**High Velocity Cooling Fan**  
**(Chain Suspended)**

When suspended from above, these high velocity fans provide an even stream of air around the work or warehouse area. The chain suspension installation is a simple and low cost method of installation.

**Features**

- Chain suspended mounting.
- Direct driven for minimal maintenance.
- High performance zinc-alum propeller.
- Attractive deep spun 14 gauge steel housing.
- Safety guards on both the inlet and exhaust side of fan. 1/2" mesh galvanized steel screen.
- Motor mounting bracket designed to fit most standard off the shelf motors.
- Power cord furnished on single phase units only.
- Fan housing coated with a thermally fused powered polyurethane black finish.
- 2 year warranty.



**ROMLA VENTILATOR CO.**  
**9668 Heinrich Hertz Drive • Unit D**  
**San Diego, California 92154**  
**Ph (619) 946-1224 Fax (619) 946-1227**

AF- CS DIMENSIONS AND WEIGHTS				
SIZE	A	B	C	SHIP WT
14	14-1/2	20	16	38
18	19	24	16	57
22	22-1/4	29	16	61
30	30-1/2	37	22	105

**SPECIFICATIONS**

QTY	MODEL NO.	TAG	AREA OF COVERAGE (SQ FT)	DISTANCE AIR THROW (FT)	CFM	RPM	HP	VOLTS	PH	HZ	TYPE

<p><b>PROJECT:</b>  <b>LOCATION:</b>  <b>SUBMITTED BY:</b>  <b>DATE:</b></p>	<p><b>CONTRACTOR:</b>  <b>ENGINEER:</b>  <b>APPROVED BY:</b>  <b>DATE:</b></p>
--	--