

MODEL HA

(Cast Aluminum Propeller)

Romlair Model HA Hooded Propeller Roof Fans are intended for the general ventilation of factories and warehouses. These fans can also be placed to provide spot ventilation in specific problem area.

Hooded Belt Driven Exhaust And Supply Fans

CONSTRUCTION FEATURES

- **Cast Aluminum Airfoil Propeller** – For high performance at medium pressure levels.
- **Heavy Duty, Long-Life Construction** – Built to industrial standards. The heavy gauge galvanized hood utilizes an interlocking rib at the seams that provides superior strength. All welded fan base.
- **Variable Pitch Drives To 7-1/2 HP** – Adjustable for final system RPM. Belts sized for 165% of driven HP.
- **Heavy Duty Ball Bearing Motor** – Provides years of trouble free operation.
- **Self-Aligning Pillow Block Bearings** – Selected for a minimum (L50) life in excess of 200,000 hours at maximum cataloged operating speeds.
- **Hinged Hood** – Provides easy access to fan components such as motors, belts, pulleys, and propellers.
- **Angle Drive Frame** – Bolted base assembly provides firm base and accurately aligns power assembly.
- **Deep Spun Venturi** – For high efficiency.
- **Birdscreen** – 1/2" mesh galvanized steel.
- **Low Maintenance** – Hinged hood for easy access to motor and drive.

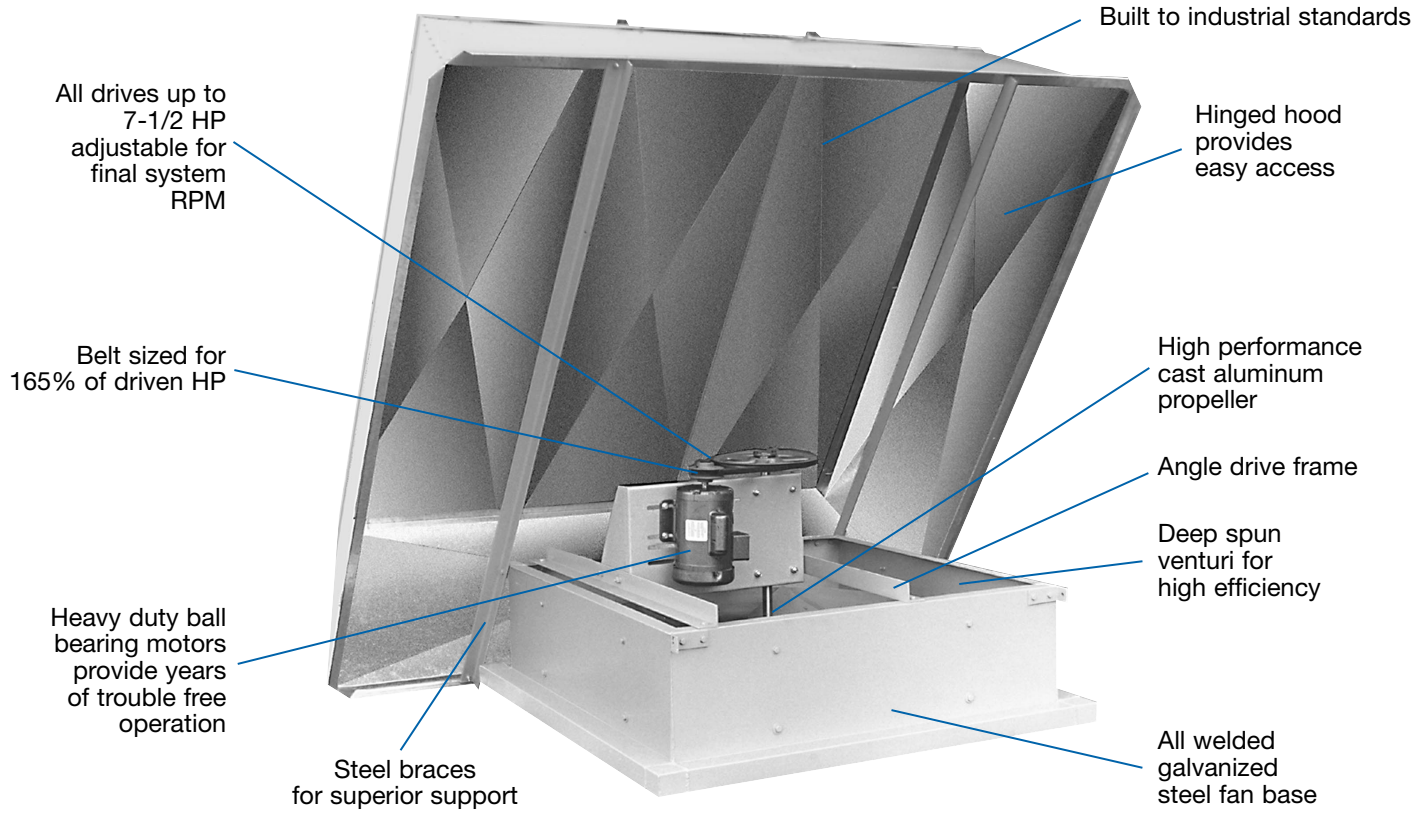


SUPPLY FANS – Application for introducing large volumes of air into schools, commercial buildings, warehouses, power plants, industrial plants, equipment rooms, shipping centers, supermarkets.

EXHAUST FANS – Application for removing heat, moisture, contaminants, fumes, smoke and grease from similar buildings as supply fans. Many codes require specific removal requirements.

Romla also offers the same version with a six bladed steel propeller, a direct driven version, a filtered intake belt driven version, and a reversible flow version.

MODEL HA TYPICAL CONSTRUCTION



MODEL HA EXHAUST APPLICATION PERFORMANCE DATA

MODEL	HP	RPM	TIP SPEED	MAX BHP	*SONES	STATIC PRESSURE (ins. w.g.) / CAPACITY (cfm)							
						0	.100	.125	.25	.375	.5	.625	.75
HA-242E	1/3	910	5718	0.39	14.5	5032	4478	4328	3423				
HA-243E	1/2	1044	6560	0.59	16.8	5772	5295	5170	4458	3573	2620		
HA-244E	3/4	1189	7471	0.88	19.3	6574	6143	6048	5478	4796	6968		
HA-245E	1	1307	8212	1.16	22.6	7227	6825	6739	6251	5666	5015		
HA-302E	1/3	670	5262	0.37	12	6632	5843	5606	4185	2642			
HA-303E	1/2	773	6071	0.57	14.4	7652	6985	6807	5736	4323	3040		
HA-304E	3/4	889	6982	0.83	17.9	8800	8234	8079	7223	6191	4930		
HA-305E	1	971	7626	1.14	20.39	9612	9102	8691	8208	7344	6297		
HA-363E	1/2	664	6258	0.59	16.9	9879	8800	8531	6569	3836			
HA-364E	3/4	757	7135	0.88	19	11262	10331	10083	8672	6540	4181		
HA-365E	1	834	7860	1.18	21.5	12408	11575	11349	10228	8537	6397		
HA-366E	1-1/2	930	8765	1.64	24.6	13836	13104	12902	11912	10681	9073		
HA-367E	2	1020	9613	2.16	27.7	15175	14508	14337	13419	12498	11177	9613	7791
HA-368E	3	1166	10989	3.23	32.9	17347	16763	16617	15830	15044	14197	13071	11755
HA-369E	5	1378	12987	5.3	40.8	20501	20007	19884	19250	18568	17903	17255	16385
HA-425E	1	680	7477	1.18	19.6	14723	13329	12959	11060	8860	5935		
HA-426E	1-1/2	759	8346	1.65	23	16434	15203	14872	13204	11382	9334		
HA-427E	2	836	9192	2.2	26.6	18101	17001	16701	15192	13634	11893	9892	
HA-428E	3	961	10567	3.34	32.5	20807	19850	19611	18311	16992	15623	14115	12508
HA-429E	5	1140	12535	5.58	42.5	24683	23876	23675	22619	21517	20403	19265	18100
HA-486E	1-1/2	664	8344	1.62	24	20284	18695	18262	15930	13017	9375		
HA-487E	2	734	8224	2.18	26.1	22423	21011	20622	18579	16265	13362		
HA-488E	3	845	10619	3.34	33.2	25814	24588	24281	22592	20726	18674	16187	
HA-489E	5	993	12478	5.42	40.4	30335	29292	29304	27653	26201	24587	22881	21079
HA-4810E	7-1/2	1133	14238	8.03	51.2	34612	33697	33469	32319	31048	29761	28346	26905
HA-547E	2	529	7479	2.13	21.1	26015	24036	23494	20593	17037	12529		
HA-548E	3	605	8553	3.19	25.4	29753	28049	27599	25175	22451	19203		
HA-549E	5	716	10122	5.28	31.9	35212	33772	33412	31463	29352	27068	24600	
HA-5410E	7-1/2	815	11522	7.83	39.5	40081	38816	38500	36853	35095	33189	31206	29038
HA-5411E	10	910	12865	10.88	47.8	44752	43620	43337	41921	40351	38777	37034	35282
HA-608E	3	532	8357	3.17	26.2	34187	31920	31292	27992	24242	19368		
HA-609E	5	631	9912	5.29	33.5	40549	38644	38168	35545	32652	29474	25560	21258
HA-6010E	7-1/2	719	11294	7.86	40.4	46204	44532	44114	41888	39522	36934	34139	31019
HA-6011E	10	793	12456	10.53	47.6	50960	49444	49065	47111	45005	42766	40420	37866
HA-7210E	7-1/2	619	11668	8.25	37.5	60025	56833	56020	51559	46281	40821		
HA-7211E	10	682	12855	11.036	43.4	66134	63237	62513	58786	53922	49435	44165	
HA-7212E	15	780	14703	16.51	54.9	75638	73104	72471	69245	65744	61335	57420	53163

MODEL HA SUPPLY APPLICATION

PERFORMANCE DATA

MODEL	HP	RPM	TIP SPEED	MAX BHP	*SONES	STATIC PRESSURE (ins. w.g.) / CAPACITY (cfm)							
						0	.100	.125	.25	.375	.5	.625	.75
HA-242S	1/3	910	5718	0.38	14.5	5107	4521	4351	3296				
HA-243S	1/2	1044	6560	0.57	16.8	5859	5375	5226	4413	3429			
HA-244S	3/4	1189	7471	0.85	19.3	6672	6267	6146	5469	4670	3814		
HA-245S	1	1307	8212	1.12	22.6	7334	6966	6874	6286	5617	4834		
HA-302S	1/3	670	5262	0.36	12	6690	5831	5553	3928				
HA-303S	1/2	773	6071	0.54	14.4	7718	7024	6800	5475	4086			
HA-304S	3/4	889	6982	0.83	17.9	8876	8330	8135	7111	5804	4662		
HA-305S	1	971	7626	1.09	20.39	9695	9208	9057	8147	7075	5901	4849	
HA-363S	1/2	664	6258	0.58	16.9	10026	8889	8539	6221	2835			
HA-364S	3/4	757	7135	0.85	19	11431	10493	10193	8460	6272	2783		
HA-365S	1	834	7860	1.15	21.5	12593	11792	11520	10106	8103	5974		
HA-366S	1-1/2	930	8765	1.59	24.6	14043	13347	13143	11909	10430	8586	6599	
HA-367S	2	1020	9613	2.1	27.7	15402	14768	14609	13530	12350	10747	9130	7270
HA-368S	3	1166	10989	3.13	32.9	17607	17052	16913	16063	15082	14034	12637	11147
HA-369S	5	1378	12987	5.17	40.8	20808	20338	20221	19634	18813	17992	17106	16219
HA-425S	1	680	7477	1.15	19.6	14962	13548	13107	10797	8488	3618		
HA-426S	1-1/2	759	8346	1.61	23	16700	15510	15115	13147	10842	8655		
HA-427S	2	836	9192	2.15	26.6	18394	17343	17031	15240	13325	11360	9116	
HA-428S	3	961	10567	3.27	32.5	21144	20230	20002	18519	16966	15249	13460	11975
HA-429S	5	1140	12535	5.45	42.5	25083	24312	24120	23039	21724	20415	19109	17487
HA-486S	1-1/2	664	8344	1.62	24	20731	19180	18662	15960	12626	8797		
HA-487S	2	734	8224	2.18	26.1	22917	21593	21149	18754	15929	13035		
HA-488S	3	845	10619	3.33	33.2	25814	25233	24945	22975	20830	18272	15729	
HA-489S	5	993	12478	5.4	40.4	31003	30025	29780	28318	26587	24743	22693	20363
HA-4810S	7-1/2	1133	14238	8.02	51.2	35374	34517	34302	33226	31709	30191	28568	26933
HA-547S	2	529	7479	2.14	21.1	26612	24695	24049	20686	16537	11923		
HA-548S	3	605	8553	3.19	25.4	30436	28839	28374	25519	22310	18659		
HA-549S	5	716	10122	5.29	31.9	36020	34671	34334	32150	29693	27051	23838	
HA-5410S	7-1/2	815	11522	7.81	39.5	41000	39815	39519	37834	35738	33546	31303	28484
HA-5411S	10	910	12865	10.87	47.8	45779	44718	44453	43126	41293	39416	37429	35421
HA-608S	3	532	8357	3.18	26.2	35011	32894	32146	28300	23671	19124		
HA-609S	5	631	9912	5.32	33.5	41527	39743	39298	36257	32938	29012	25033	20690
HA-6010S	7-1/2	719	11294	7.84	40.4	47318	45753	45362	42966	40181	37221	33780	30129
HA-6011S	10	793	12456	10.56	47.6	52188	50769	50414	48474	45964	43376	40691	37534
HA-7210S	7-1/2	619	11668	8.24	37.5	61410	59450	58965	55995	51803	46720		
HA-7211S	10	682	12855	11.02	43.4	67660	65881	65437	63165	59674	55543	50514	
HA-7212S	15	780	14703	16.49	54.9	77383	75827	75438	73508	71087	67980	64439	60332

NOTE: The following pertains to both the exhaust and the supply application of the Model HA.

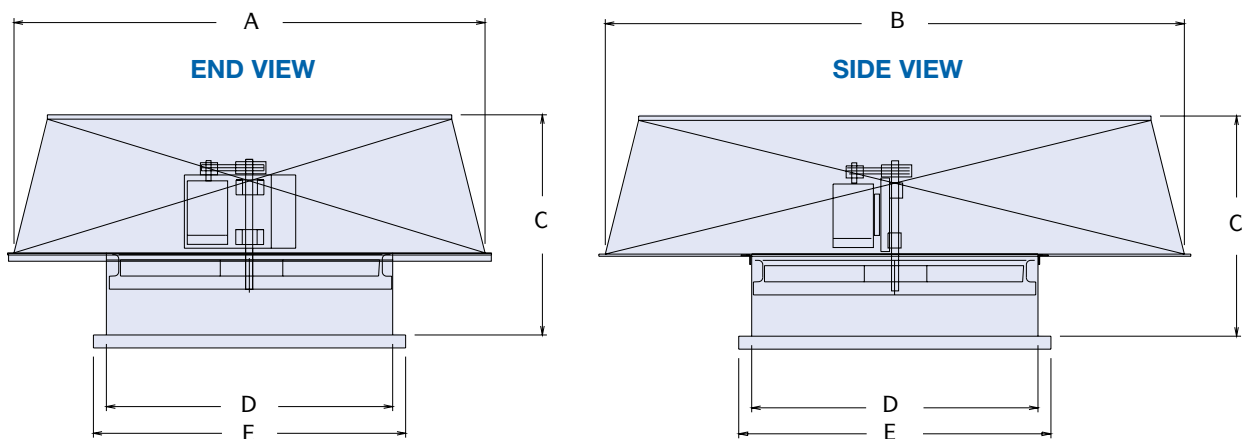
Romla Co. certifies that the fans shown have been tested and rated in accordance with AMCA Bulletin 211 and are guaranteed by the manufacturer to deliver rated performance.

*Sones shown apply to the highest cataloged CFM at each fan RPM.

MAX. BHP: The brake horsepower capability of a fan motor is dependent on the degree of cooling the motor receives from the moving air stream over the motor. The motor loading beyond the motor name plate rating on Romla-built fans does not overheat the motor and is within NEMA recommended limits.

MODEL HA

DIMENSIONAL DATA



FAN SIZE	DIMENSIONS (inches)					BASE GAUGE	HOOD GAUGE	DAMPER SIZE (ins. sq.)	ROOF OPENING (ins. sq.)	APPROX. WEIGHT (lbs.)
	A	B	C	D	E					
24	51	51	24	30.25	36	16	20	24	26.5	196
30	60	60	24	36.25	42	16	20	30	32.5	260
36	71	71	28	42.25	48	16	20	36	38.5	375
42	81	81	30	48.25	54	16	20	42	44.5	500
48	91	91	31	54.25	60	14	20	48	50.5	650
54	99	99	34	60.25	66	14	18	54	56.5	775
60	99	120	35	66.25	72	14	18	60	62.5	900
72	99	144	40	80.25	86	14	18	72	74.5	1200

MODEL HA ACCESSORIES

- **DAMPERS** – Model RBD gravity dampers are available for both exhaust and supply applications. Motorized operation is available.
- **HEAVY-DUTY BACKDRAFT DAMPERS** – Model RVC motorized heavy duty galvanized backdraft dampers can be used on either exhaust or supply applications. Designed for higher velocity application and are available in standard leakage and low leakage applications. All low leakage dampers include vinyl blade and jamb seals.
- **ROOF CURBS** – Type CF and SF prefabricated roof curbs are available to ensure compatibility between the fan, curb, and roof opening.
- **U.L. 705** – All belt driven fans up to 10 HP with TEFC standard efficiency and premium efficiency single speed motors are available with the UL-705 listing for electrical.
- **SAFETY GUARDS** – Safety guards installed at the fan inlet are recommended to protect the fan and nearby personnel in nonducted applications. Where a safety guard is not ordered with the fan, it should be provided by the installer.
- **SPECIAL COATINGS** – Special liquid coatings are available, including special color to match enamels, epoxies, and urethanes. Urethane powder coating are also available. Consult factory for information regarding which coating to use.
- **DISCONNECT SWITCHES** – The following switches are available. They are factory mounted non-wired. Optionally, wiring from the motor to the disconnect box can be provided. NEMA 1 - Indoor general purpose, NEMA 3R - Exterior mount, rain-tight, NEMA 4 - Water-tight and dust-tight.
- **EXTENDED LUBRICATION LINES** – All the pillow block bearings to be lubricated without hinging the hood.
- **HOOD INSULATION** – 1/2" or 1-1/2" thickness insulation is available to minimize condensation and reduce sound levels.
- **HIGH WIND TIE DOWN POINTS** – In high wind locations, cable tie downs (by others) are recommended to secure fans to the roof. Four tie down points for cable attachment can be provided.

SPECIFICATIONS

Roof mounted exhaust or supply hooded power roof ventilators shall be belt driven axial type. Fan shall be belt driven and incorporate a cast aluminum airfoil propeller. Propellers shall be statically and dynamically balanced. The fan housing shall be heavy gauge galvanized steel with vertical welded seams. The fan hoods shall be constructed of heavy gauge galvanized steel with interlocking ribs at the seams to provide superior strength. Hoods shall also be hinged to provide easy access to fan components such as motors, belts, pulleys, and propellers. The units shall have 1/2" mesh galvanized birdscreen installed vertically along the perimeter of the fan base. Self-aligning pillow block bearings shall be selected for a minimum (L50) life in excess of 200,000 hours at maximum cataloged operating speeds. Fan drives shall be designed for 165% of driven HP. Motor drives to 7-1/2 HP shall be variable pitch. Belts shall be oil resistant non-static type. Fans shall be Model HA as manufactured by Romla Ventilator Company of San Diego, California.

WARRANTIES

The Romla Ventilator Company warrants this equipment to be free from defects in material and workmanship under normal use and service for a period of one year from date of delivery. During the warranty period if any parts prove to be defective, they will be repaired or replaced free of charge at factory option: If upon receipt of written authorization they are delivered prepaid to the factory. This guarantee does not cover any damage caused by neglect of lubrication, accident or overload, improper installation, nor does it cover the cost of repairs made or attempted outside the factory, without authorization from Romla Co. Electric motors are guaranteed only to the extent of the motor manufacturer's warranty.

Romla Co., is not responsible for the cost of removal of the defective product or part, or the installation of the repaired or replaced products or part. Correction of any verified defects by repair or replacement shall constitute fulfillment of this warranty.



WARNING! DO NOT USE IN HAZARDOUS ENVIRONMENTS where fans electrical system could provide ignition to combustible or flammable materials, unless unit is specifically built for hazardous environments. Guards must be installed when fan is within reach of personnel or within seven (7) feet of working level or when deemed advisable for safety.



ROMLA VENTILATOR COMPANY
 9668 Heinrich Hertz Drive, Unit D
 San Diego, California 92154
 619/946-1224 • Fax 619/946-1227 • www.romlair.com

DISTRIBUTED BY

