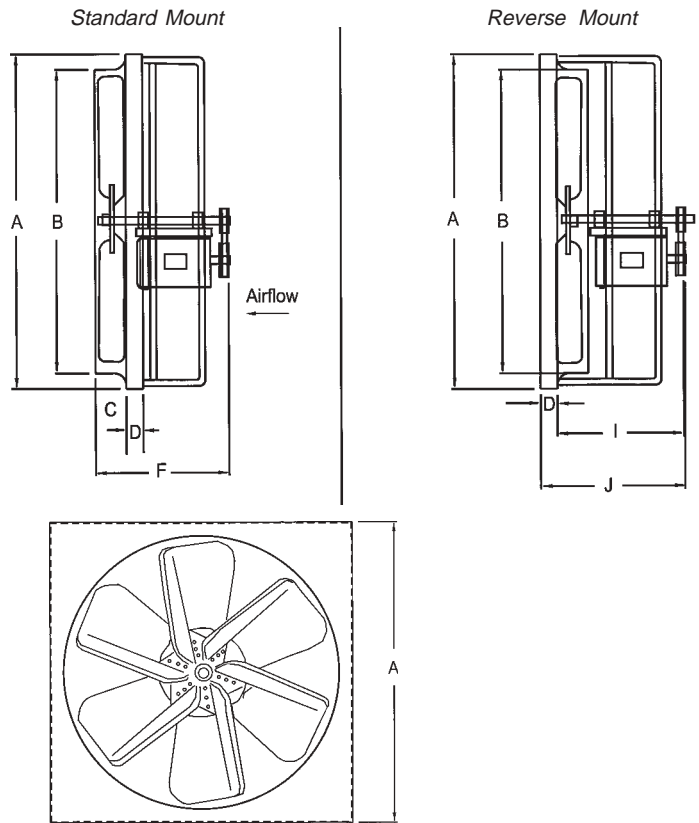




Model PS
Belt Drive Panel Fan

- Belt Drive Panel Fan
- Heavy Duty Six-Bladed Steel Propeller
- Deep Spun High Efficiency Venturi For Superior Strength and Performance
- All Welded Construction
- Self-Aligning Pillow Block Bearings
- Variable Pitch Drives to 7-1/2 Hp
- All Angle Operation - Vertically, Horizontally, Any Intermediate Angle
- Tested and Rated in Accordance with AMCA Standard 211

ROMLA VENTILATOR COMPANY
9668 Heinrich Hertz Drive • Unit D
San Diego, California 92154
Ph (619) 946-1224 Fax (619) 946-1227



Abbreviation for Accessories

- WS** -Wall shutter
- MWS** -Motorized wall shutter 1/115v
- VC** -Motorized center pivot damper (supply) 1/115v
- RG** -Motor side guard
- FG** -Front safety guard
- WH** -Wall housing
- WHG** -Wall housing with guard
- WC** -Wall collar
- EC** -Epoxy coating

SIZE	DIMENSIONS-INCHES							AVG.
	A	B	C	D	F	I	J	
24	30	25	3-5/8	2-3/4	18-5/8	17-3/8	20-1/8	110
30	36	31	3-3/4	2-3/4	19-3/4	18-3/4	21-1/2	150
36	42	37	4-1/4	2-3/4	23-1/4	21-1/2	24-1/4	205
42	48	43	4-3/4	2-3/4	24-3/4	23	25-3/4	270
48	54	49	4-3/4	2-3/4	25-3/4	24-7/8	27-5/8	305
54	60	55	5	2-3/4	26	27	29-3/4	400
60	66	61	5-1/2	2-3/4	24-1/2	27-1/2	30-1/4	440
72	79	73	5-1/2	2-3/4	28-1/2	31-1/2	34-1/4	850

SPECIFICATIONS

MARK	MODEL	NO REQ'D	HP	SP	FAN RPM	VOLTS	HZ	TYPE	CFM	ACCESSORIES

<p>PROJECT: LOCATION: SUBMITTED BY: DATE:</p>	<p>CONTRACTOR: ENGINEER: APPROVED BY: DATE:</p>
--	--