

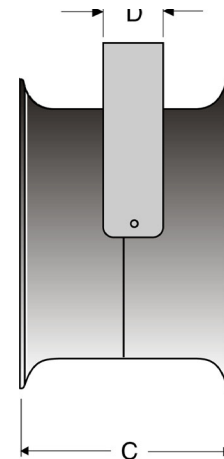
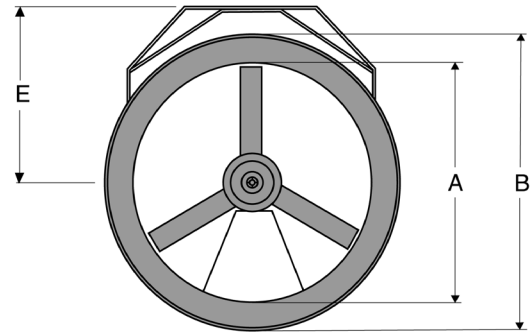


**Model AF-YM**  
**High Velocity Cooling Fan**  
**(Yoke Mounted)**

The yoke type mount allows easy adjustment up and down and side to side. Can be mounted to overhead beams or any other flat surface. Provides an even stream of air around the work or warehouse area, effectively distributing air to 100% of the area.

**Features**

- Yoke type mounting.
- Direct driven.
- High performance zinc-alum propeller.
- Attractive deep spun 14 gauge steel housing.
- Safety guards on both the inlet and exhaust side of fan. 1/2" mesh galvanized steel screen.
- Motor mounting bracket designed to fit most standard off the shelf motors.
- Power cord furnished on single phase units only.
- Fan housing coated with a thermally fused powered polyurethane black finish.
- 2 year warranty.



**ROMLA VENTILATOR CO.**  
**9668 Heinrich Hertz Drive • Unit D**  
**San Diego, California 92154**  
**Ph (619) 946-1224 Fax (619) 946-1227**

AF- YM DIMENSIONS AND WEIGHT						
SIZE	A	B	C	D	E	SHIP WT
14	14-1/2	20	16	4	12-3/4	45
18	19	24	16	4	15	68
22	22-1/4	29	16	4	16-5/8	75
30	30-1/2	37	22	4	20-3/4	125

**SPECIFICATIONS**

QTY	MODEL NO.	TAG	AREA OF COVERAGE (SQ FT)	DISTANCE AIR THROW (FT)	CFM	RPM	HP	VOLTS	PH	HZ	TYPE

<p><b>PROJECT:</b>  <b>LOCATION:</b>  <b>SUBMITTED BY:</b>  <b>DATE:</b></p>	<p><b>CONTRACTOR:</b>  <b>ENGINEER:</b>  <b>APPROVED BY:</b>  <b>DATE:</b></p>
--	--