



INSTALLATION AND MAINTENANCE INSTRUCTIONS MODEL AF-YM YOKE MOUNT

MODEL AF-YM YOKE MOUNT FANS

These high velocity fans can be mounted to overhead beams or any other flat surface. They provide an even stream of air around the work area.

SHIPPING INSPECTION

Upon receiving unit, check for any damage and report it immediately to the shipper. Also check to see that all accessory items are accounted for.

INSTALLATION

The Romlair Yoke Mounted fan can be hung in many different ways. It is very important to remember that the yoke must be securely fastened to a solid surface or structure. Also verify the materials used are rated for the proper operating weight of the fan and workload.

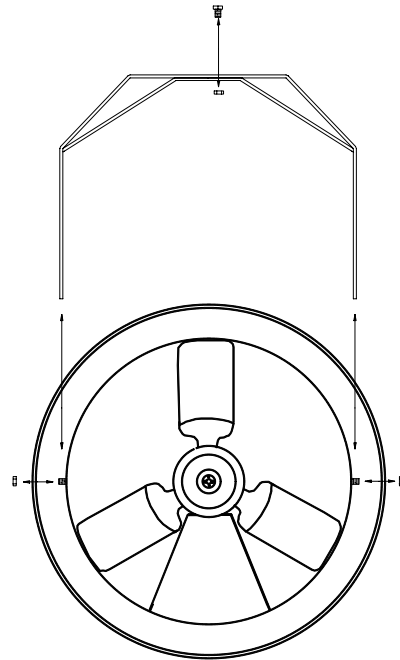
1. Fasten and secure the fan yoke (upside down "U" shaped bracket) to the place where you want the fan located. Use 5/8" bolts, nuts and washers to secure bracket.
2. The fan section fits inside of the "U" shaped yoke bracket. The threaded holes on each side of the fan section fit through the predrilled holes on the yoke. Fasten the fan section to the yoke bracket with the supplied nuts. We recommend that you mount the fan section so that the motor mounting plate is below the fan motor.

FAN GUARDS

1/2" mesh guards are provided as standard. These guards may need to be removed to access the motors internal wiring. When removing the guards, leave one of the self tapping screws in place so that the guards can rotate around on the one screw. This makes it easily to re-insert the screws when you are ready to secure the guards after wiring the motor.

SINGLE AND THREE PHASE MOTORS

Single phase 115v units are standard with a 12 foot cord and connector for standard 115v electrical outlets. Three phase units are not supplied with cord and connector. These will need to be supplied with an appropriate cord and connector or hard wired directly to 3 phase power.



PROPER FAN ROTATION

Check fan rotation upon startup. Standing in front of fan, the blade should be turning clockwise. If rotation needs to be reversed this usually can be accomplished by reversing the connection wires.

IMPORTANT SAFETY INFORMATION

1. Comply with all local, state and federal codes. Verify that the phase and voltage confirm to the motor and name plate information.
2. Motor needs to be adequately grounded.
3. Disconnect all remote power sources before performing any maintenance
4. OSHA requires that guards must be installed when a fan is within reach of personnel or within seven (7) feet of working level or when deemed advisable for safety.